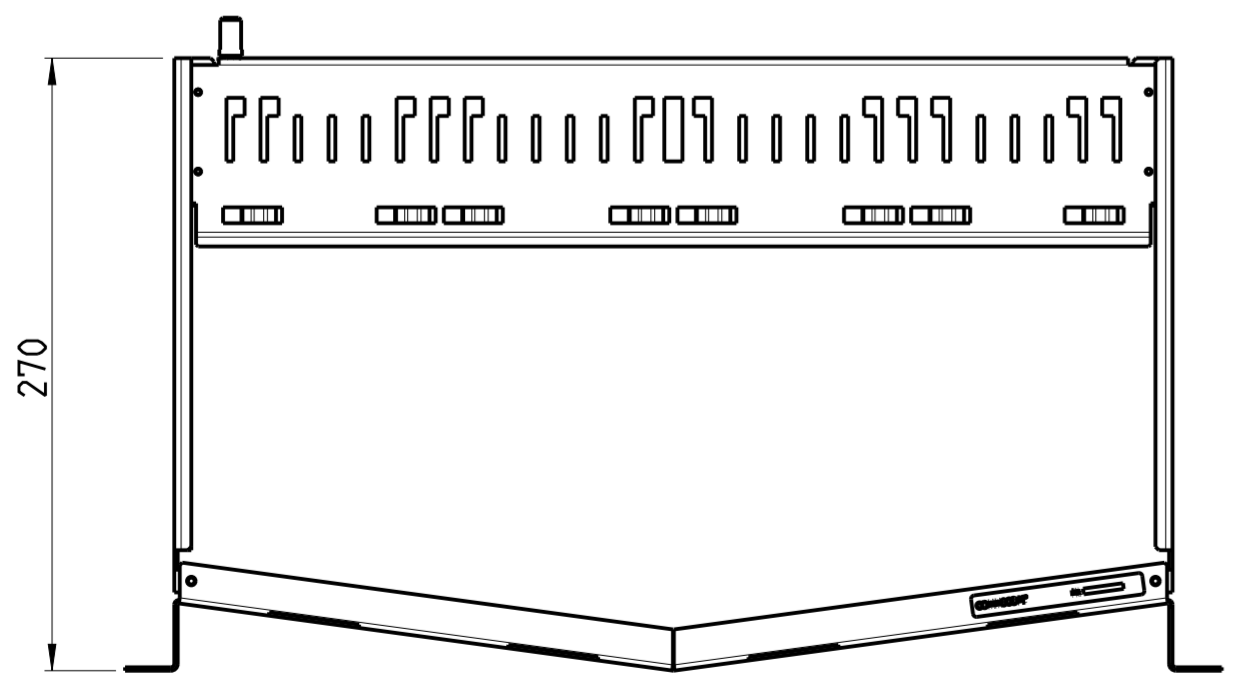
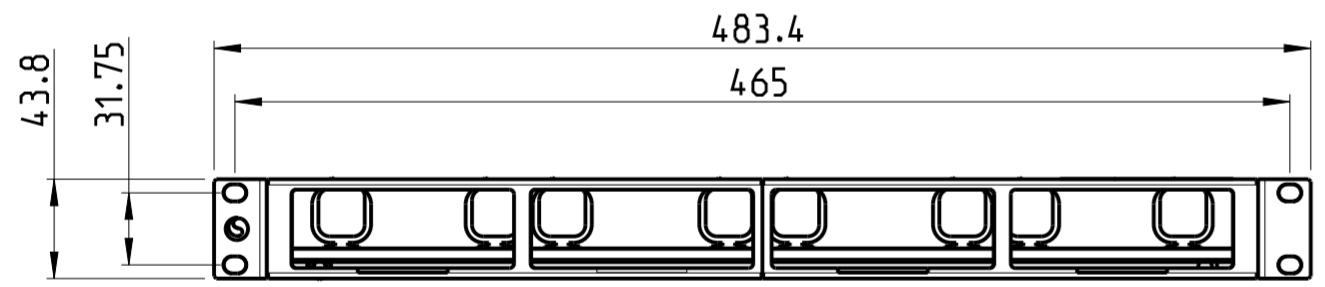
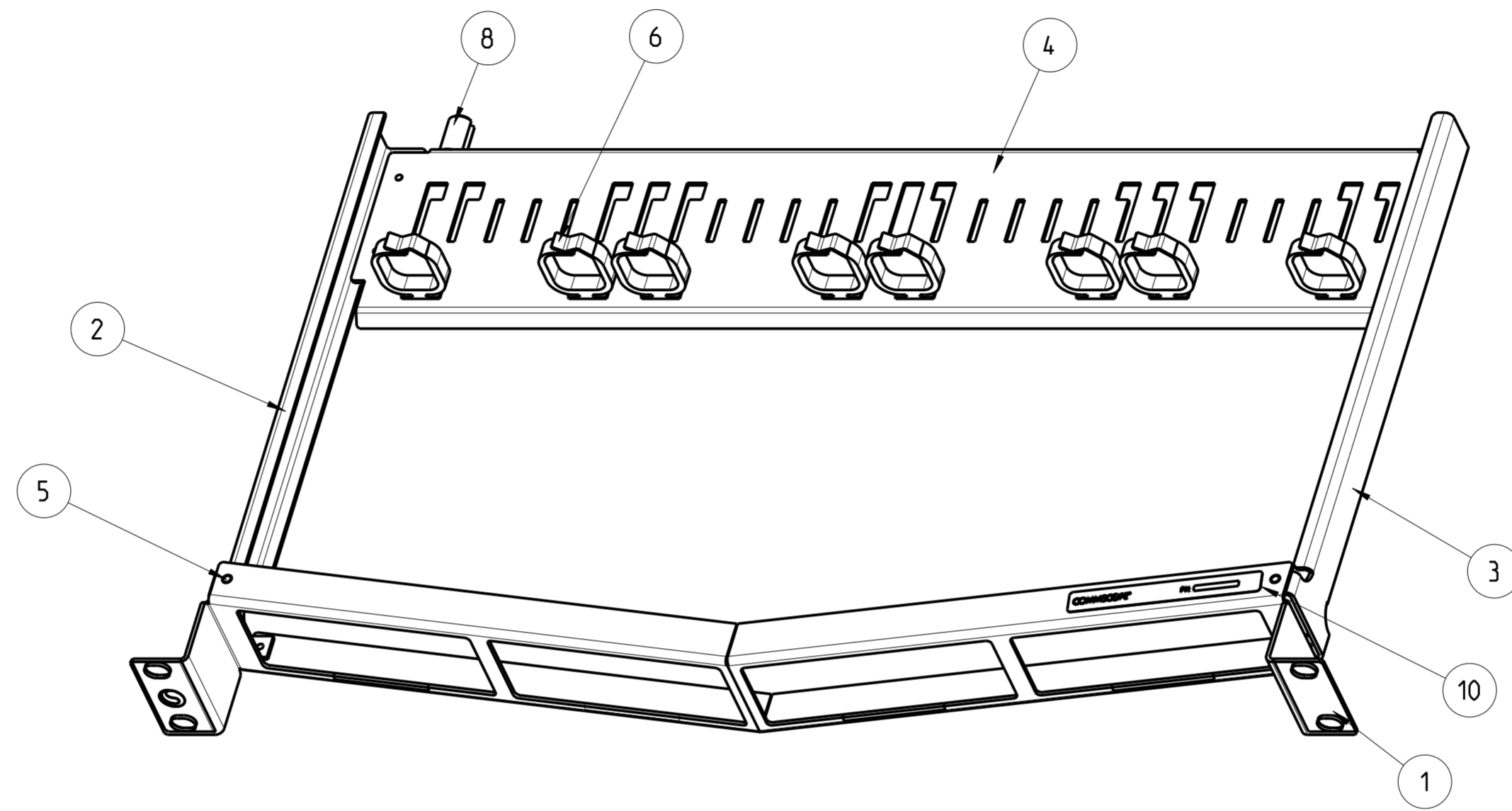


THIS DRAWING IS UNPUBLISHED. RELEASED FOR PUBLICATION 20
 © 2016 COMMSCOPE, INC. CONFIDENTIAL NOTICE: THESE DRAWINGS AND SPECIFICATIONS ARE THE PROPRIETARY PROPERTY OF COMMSCOPE, INC. AND MAY BE USED ONLY FOR THE SPECIFIC PURPOSE AUTHORIZED IN WRITING BY COMMSCOPE, INC.

IV 00

REVISIONS					
P	LTR	DESCRIPTION	DATE	DWN	APVD
B3		PN's added	14NOV2013	HB	DT
B4		PN's added	14 JAN2014	HB	DT
C		ECR-14-008920	24 JUN2014	HB	DT
D		REV PER ECN 8000017947	19DEC2016	GG	AS



Item 6, 7, 8, 13 and 14 packed in small polybag.

QTY	DESCRIPTION	ITEM
1	Screws 10-32 (UNC)	14
1	Screws 12-24 (UNC)	13
-	UCP - 4U angled frontplate	12
1	UCP - 2U angled frontplate	11
1	Label	10
-	Instruction sheet	9
-	Grounding screw	8
-	Mushroom and knit loop fastener	7
-	OFN saddle	6
-	Spot Fast Fastener SF-3-1.6-ZI	5
-	UCP - cable support bar	4
-	UCP - side bracket right	3
-	UCP - side bracket left	2
-	UCP - angled frontplate	1

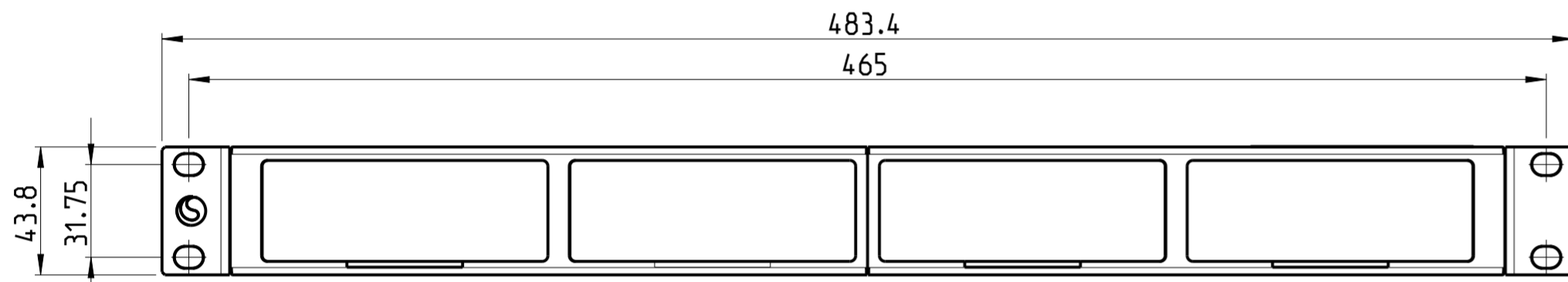
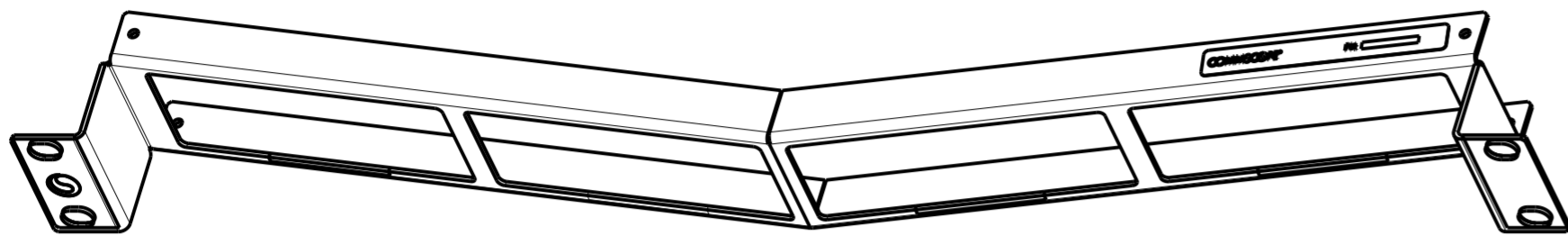
THIS DRAWING IS A CONTROLLED DOCUMENT.

DIMENSIONS: mm	TOLERANCES UNLESS OTHERWISE SPECIFIED: 0 PLC ±SEE TABLE 1 PLC ±SEE TABLE 2 PLC ±SEE TABLE 3 PLC ±SEE TABLE 4 PLC ±SEE TABLE ANGLES ±SEE TABLE FINISH	DWN H.BLEUS 15OCT2013 CHK H.BLEUS 15OCT2013 APVD D.THUIS 15OCT2013 PRODUCT SPEC - APPLICATION SPEC - WEIGHT -	NAME UCP panel SIZE A2 CAGE CODE 00779 DRAWING NO C-1671590 RESTRICTED TO -
MATERIAL -		CUSTOMER DRAWING	SCALE 1:2 SHEET 1 OF 3 REV D

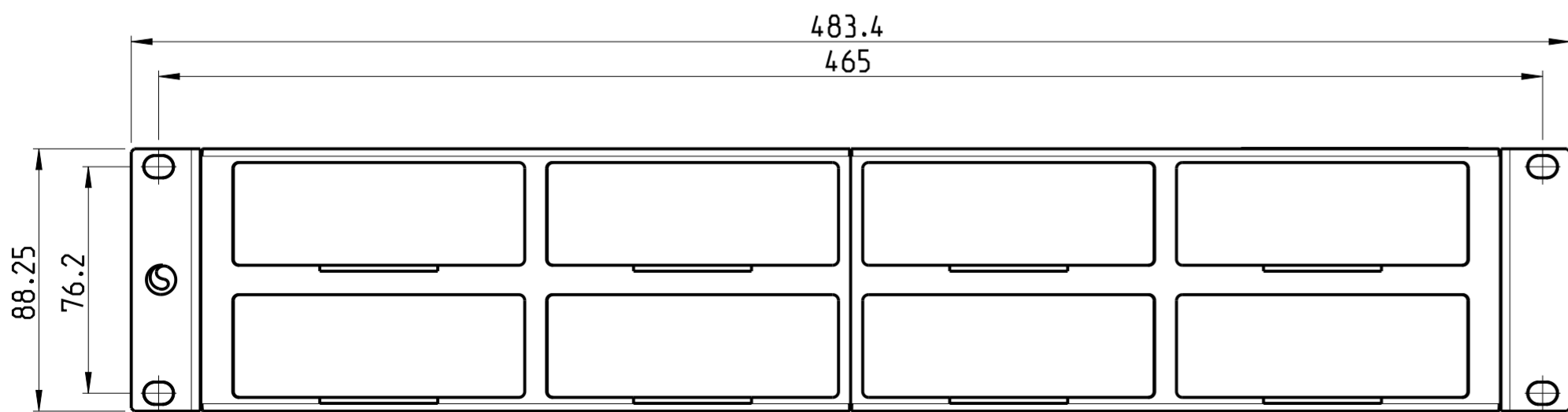
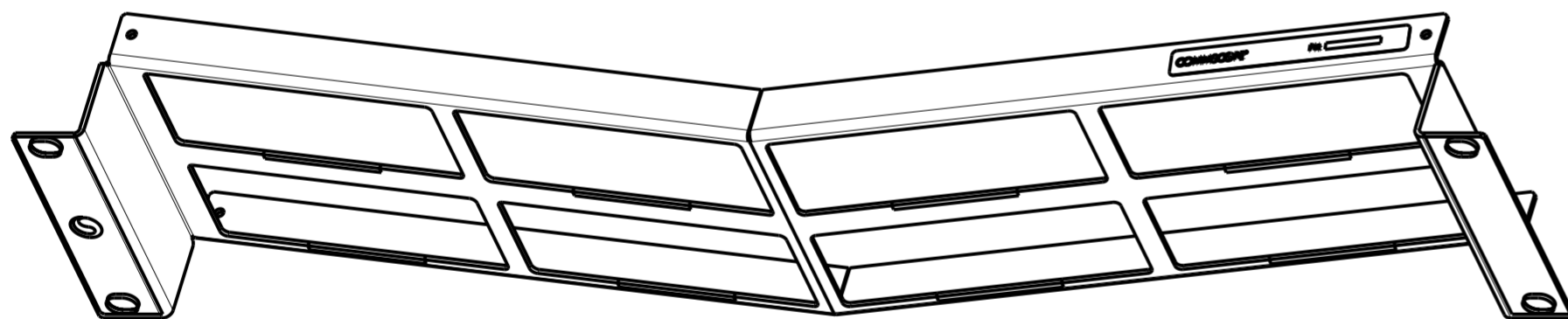
THIS DRAWING IS UNPUBLISHED. RELEASED FOR PUBLICATION 2013
 © 2016 COMMSCOPE INC. CONFIDENTIAL NOTICE: THESE DRAWINGS AND SPECIFICATIONS ARE THE PROPRIETARY PROPERTY OF COMMSCOPE, INC. AND MAY BE USED ONLY FOR THE SPECIFIC PURPOSE AUTHORIZED IN WRITING BY COMMSCOPE, INC.

REVISIONS				
P	LTR	DESCRIPTION	DATE	APVD
-		SEE SHEET 1	-	-

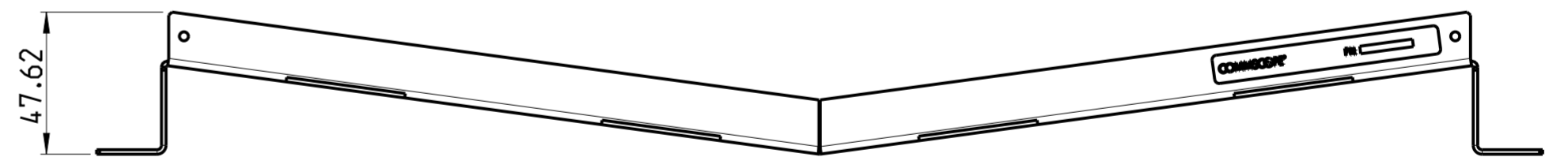
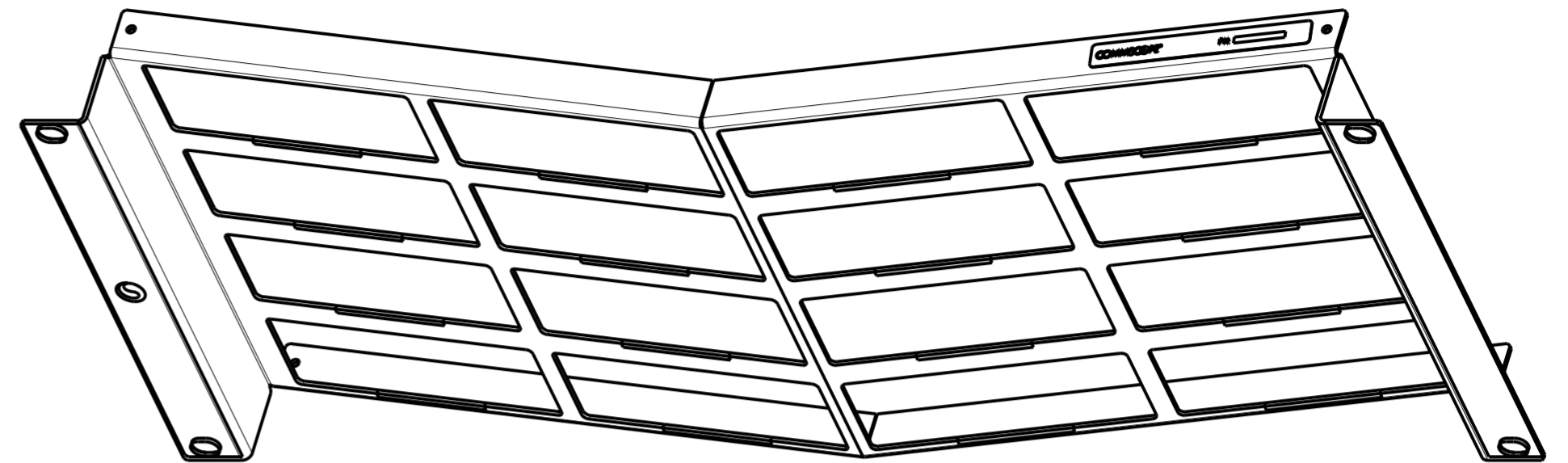
1671590-1
Part N°



1671590-2
Part N°



1671590-4
Part N°



47.62

THIS DRAWING IS A CONTROLLED DOCUMENT.

DWN	H.BLEUS	15OCT2013
CHK	H.BLEUS	15OCT2013
APVD	D.THUIS	15OCT2013
PRODUCT SPEC		
APPLICATION SPEC		
WEIGHT		
CUSTOMER DRAWING		

COMMSCOPE, INC.

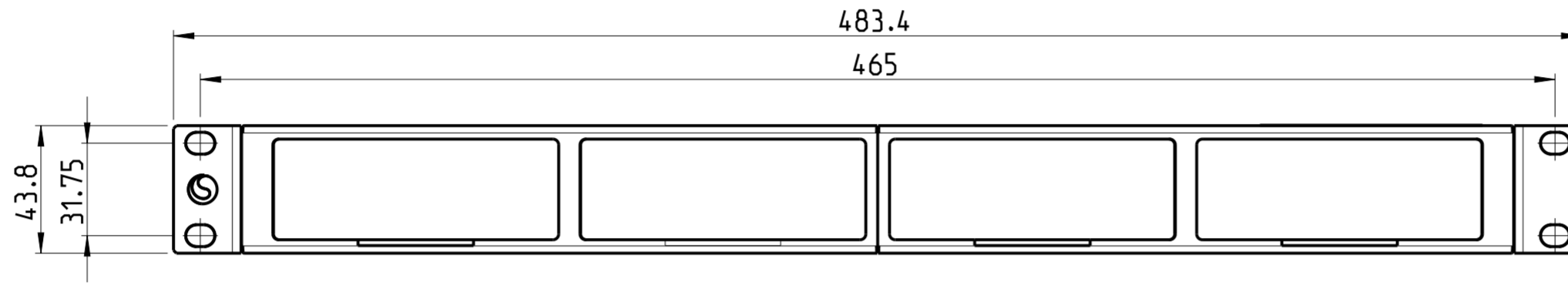
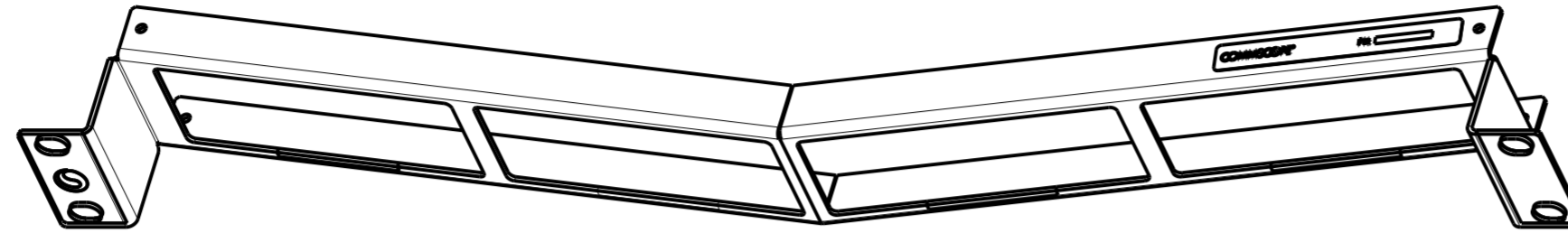
NAME				UCP panel			
SIZE				CAGE CODE		DRAWING NO	
A2		00779		C-1671590		RESTRICTED TO	
SCALE		SHEET		OF		REV	
1:2		2		3		D	

THIS DRAWING IS UNPUBLISHED. RELEASED FOR PUBLICATION 2013
 © 2016 COMMSCOPE INC. CONFIDENTIAL NOTICE: THESE DRAWINGS AND SPECIFICATIONS ARE THE PROPRIETARY PROPERTY OF COMMSCOPE, INC. AND MAY BE USED ONLY FOR THE SPECIFIC PURPOSE AUTHORIZED IN WRITING BY COMMSCOPE, INC.

00 00

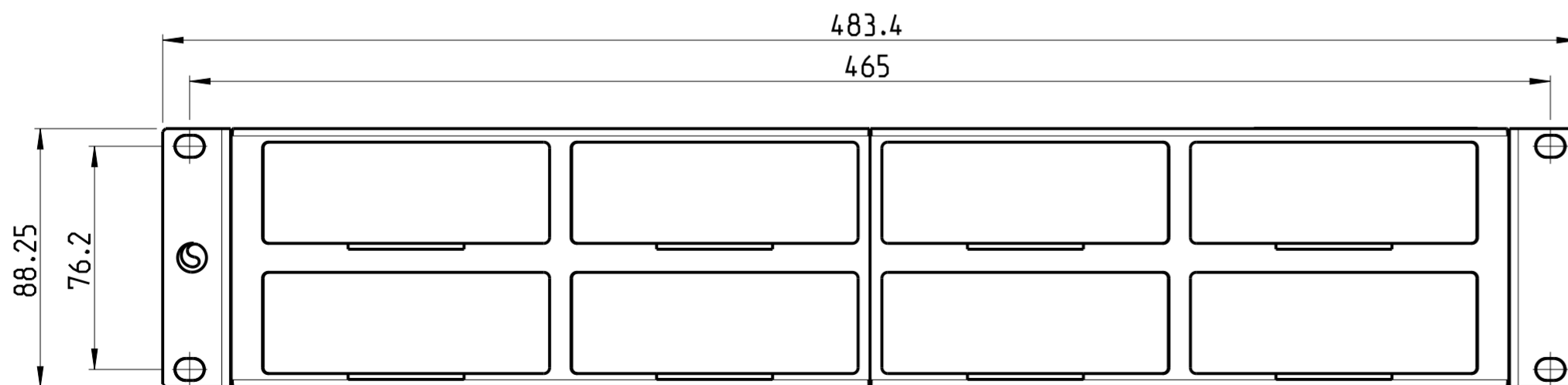
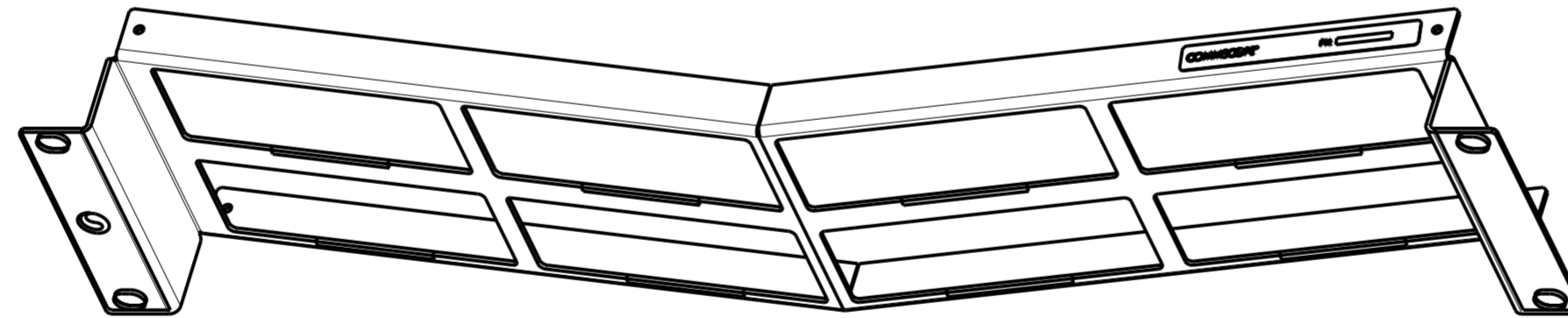
REVISIONS					
P	LTR	DESCRIPTION	DATE	DWN	APVD
-		SEE SHEET 1	-	-	-

1671590-5
Part N°



REMARK:
 12-24 screws (UNC)
 10-32 screws (UNC)
 included with this part number.

1671590-6
Part N°



REMARK:
 12-24 screws (UNC)
 10-32 screws (UNC)
 included with this part number.

THIS DRAWING IS A CONTROLLED DOCUMENT.		DWN H.BLEUS 15OCT2013	COMMSCOPE, INC.		
DIMENSIONS: mm		CHK H.BLEUS 15OCT2013			
TOLERANCES UNLESS OTHERWISE SPECIFIED:		APVD D.THLJS 15OCT2013	NAME UCP panel		
0 PLC ±		PRODUCT SPEC	-		
1 PLC ±		APPLICATION SPEC	-		
2 PLC ±		WEIGHT	-		
3 PLC ±		SIZE	A2	CAGE CODE	00779
4 PLC ±		DRAWING NO	C-1671590		RESTRICTED TO
ANGLES ±1		SCALE	1:2		SHEET 3 OF 3
FINISH		CUSTOMER DRAWING	REV		D