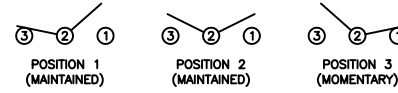


SCHEMATIC



SPECIFICATIONS

FUNCTION:
1P2T ON-OFF-(ON)

RATINGS:
ANSI/UL 1054 and CAN/CSA C22.2 No. 55 (E194579):
10A 125VAC [UR, cUR]
EN 61058-1:2002:
6A 250V~ μ 1E4 T85/55 [ENEC14, SEMKO]

CONTACT RESISTANCE:
Initial: 35mΩ Max. at 50VAC

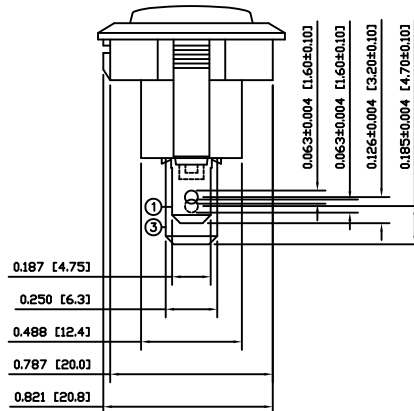
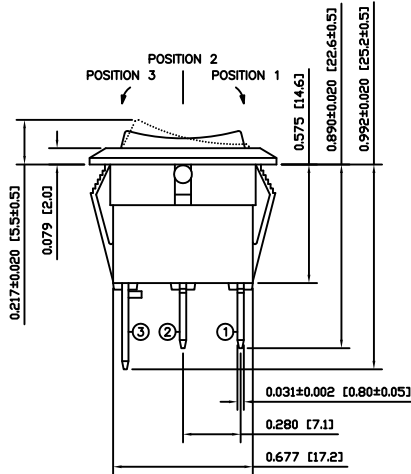
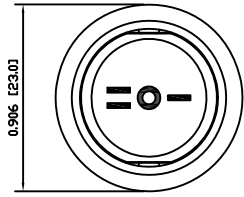
INSULATION RESISTANCE:
100MΩ Min. at 500VDC

DIELECTRIC STRENGTH:
1,500VAC For 1 Minute

ELECTRICAL LIFE:
6,000 Cycles [UR, cUR]
10,000 Cycles [ENEC14, SEMKO]

TEMPERATURE:
Operating: -20°C to 105°C [UR, cUR]
Operating: -20°C to 85°C [ENEC14, SEMKO]

APPROVALS:



COLORS AND MARKINGS

BODY:
White

ACTUATOR:
White

MARKINGS:
I/O/II Vertical (S)

MARKING COLOR:
Black

MATERIALS

BODY:
Polyamide 6/6 (PA66), UL94 V-2

ACTUATOR:
Polyamide 6/6 (PA66), UL94 V-2

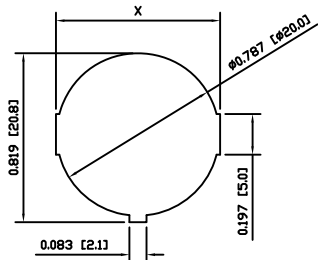
SPRING:
Steel

SPRING COVER:
Steel

CONTACTS:
Silver Alloy Plated Copper

TERMINALS:
Silver Plated Copper
Copper

SUGGESTED PANEL CUTOUT



| PANEL THICKNESS | X |
|-------------------------|--------------|
| 0.030~0.049 [0.75~1.25] | 0.795 [20.2] |
| 0.049~0.079 [1.25~2.00] | 0.803 [20.4] |
| 0.079~0.118 [2.00~3.00] | 0.811 [20.6] |

| ACTUATOR | A | 09/08/10 | CAB |
|----------------|------|----------|-----|
| BODY | B | 10/03/31 | CAB |
| COLORS | B | 10/04/01 | CAB |
| MATERIALS | A | 11/05/13 | CAB |
| SPECIFICATIONS | B | 10/04/01 | CAB |
| REFERENCE | REV. | DATE | BY |

THE INFORMATION CONTAINED IN THIS DOCUMENT IS PROPRIETARY TO E-SWITCH-LAMB INDUSTRIES AND IS NOT TO BE COPIED OR TRANSFERRED

| REV. | DESCRIPTION | PCB | DATE | DRAWN BY |
|------|---|-------|----------|----------|
| C | CORRECTED TERMINAL MATERIAL | 19946 | 11/05/13 | CAB |
| B | CORRECTED POSITION OF ANTI-ROTATION RIB | 18982 | 10/04/01 | CAB |
| A | INITIAL RELEASE | 18874 | 10/02/11 | CAB |

| DIMENSIONS | |
|----------------------|------------|
| INCHES [MILLIMETERS] | |
| GENERAL TOLERANCES | |
| ±0.008 [±0.2] / ±1' | |
| SCALE | PROJECTION |
| DRAWING NOT TO SCALE | 1:1 |

| | | | |
|----------------------------|--------------|----------|--|
| | | | |
| <p>RR1Z02C3221S</p> | | | |
| ITEM NUMBER | DATE | REVISION | |
| 38-RR1Z02C3221S | MAY 13, 2011 | C | |