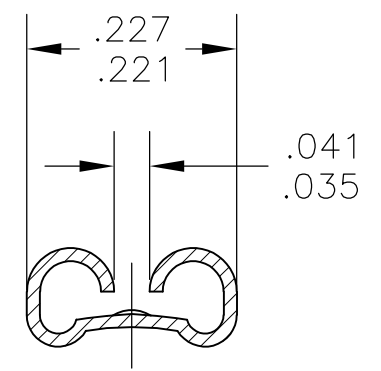
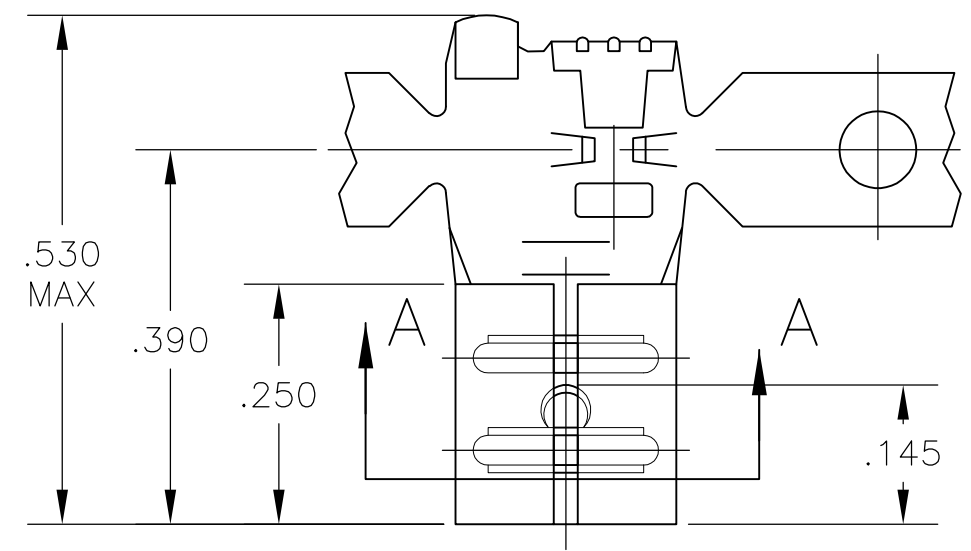


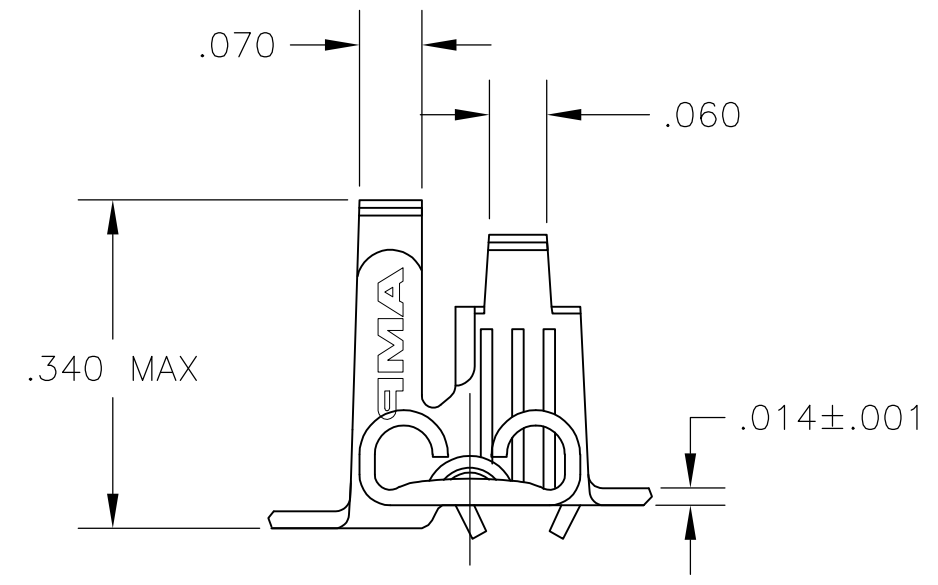
THIS DRAWING IS UNPUBLISHED. RELEASED FOR PUBLICATION  
 © COPYRIGHT - By - ALL RIGHTS RESERVED.

LOC	DIST	REVISIONS					
AF	14	P	LTR	DESCRIPTION	DATE	DWN	APVD
		B		REVISED PER ECR-12-013518	26NOV2012	KH	PD

- 1 CONTINUOUS STRIP ON REELS
- 2 WIRE SIZE IS #18-#14 AWG OR #2-#18
- 3 INSULATION RANGE IS .110-.190 DIA
- 4 MATING TAB THK IS .032±.001
- △5 PRELIMINARY - NOT FOR PRODUCTION



SECTION A-A



T3 PHOS BRONZE	△5 1742422-2
BRASS	1742422-1
MATERIAL	PART NO

THIS DRAWING IS A CONTROLLED DOCUMENT.		DWN jr_ruth 29MAR06	TE Connectivity			
DIMENSIONS: INCHES		CHK P DESANTIS 29MAR06				NAME
		APVD P DESANTIS 29MAR06	RECEPTACLE, FASTON, FLAG, .187 SERIES			
TOLERANCES UNLESS OTHERWISE SPECIFIED:		PRODUCT SPEC	-			
0 PLC ± -		APPLICATION SPEC	-			
1 PLC ± -		114-2078	SIZE	CAGE CODE	DRAWING NO	RESTRICTED TO
2 PLC ± -		WEIGHT	A3	00779	C-1742422	-
3 PLC ± .005		CUSTOMER DRAWING				
4 PLC ± -		SCALE 5:1		SHEET 1 OF 1		
ANGLES ± 5°		REV B				
MATERIAL SEE TABLE	FINISH TIN PLATE					