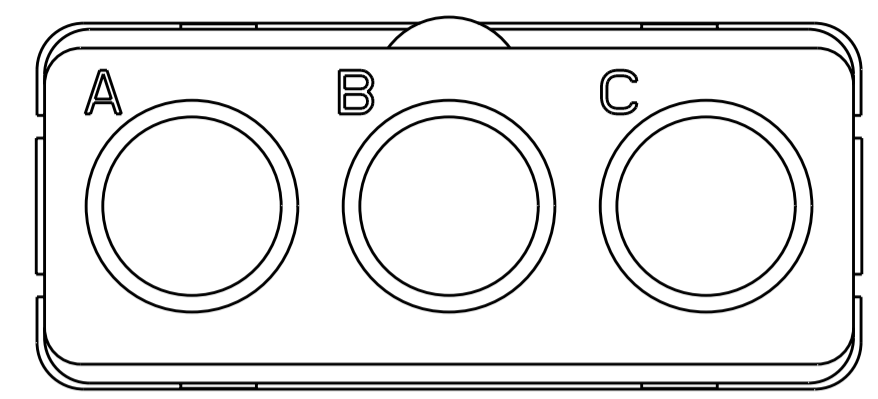
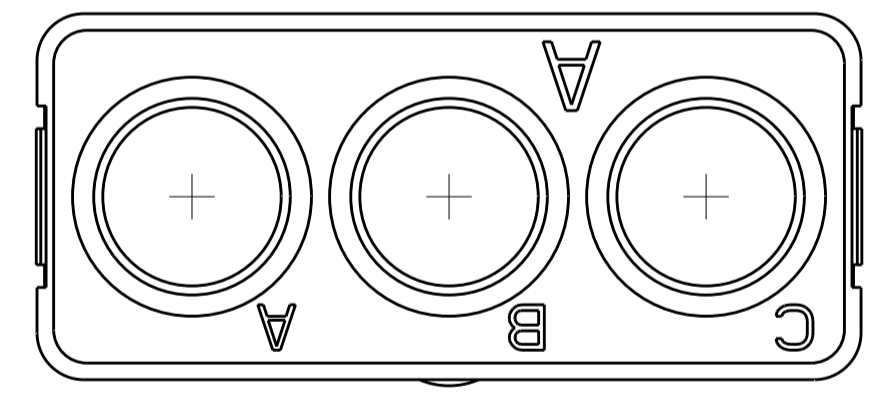
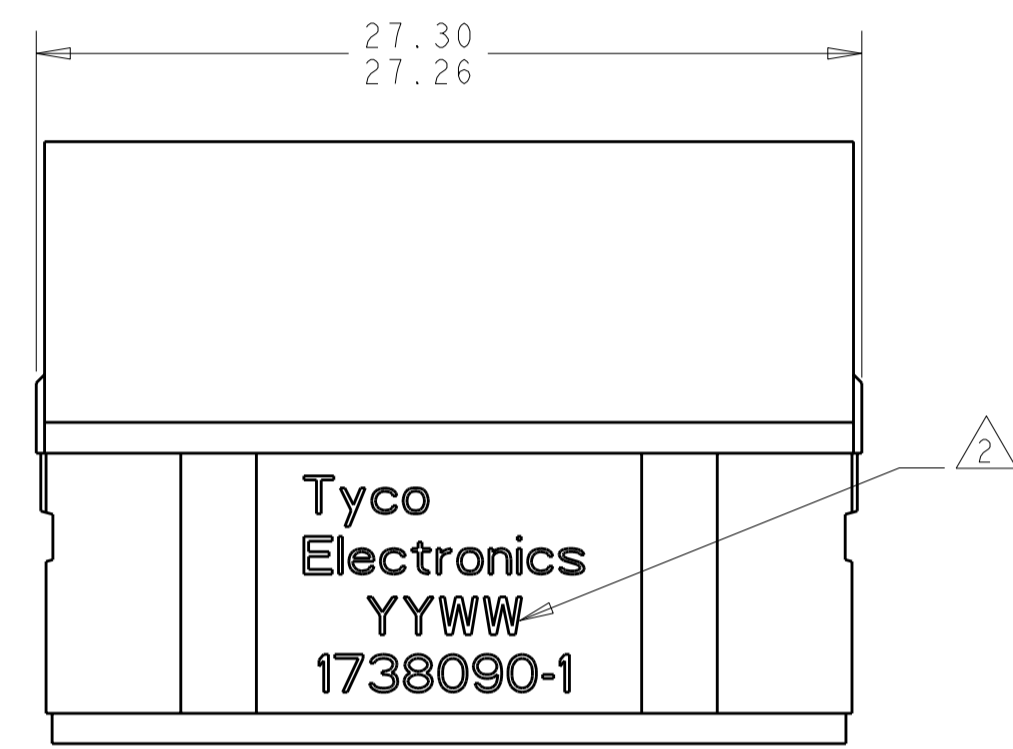
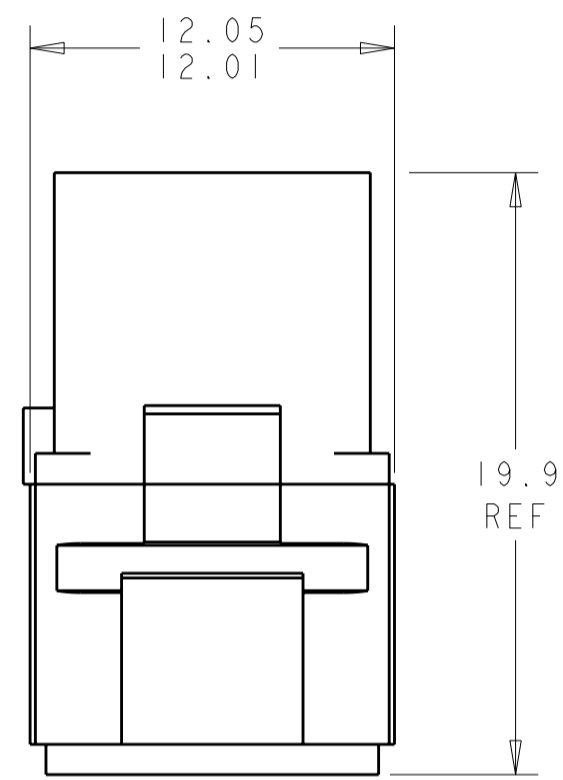


THIS DRAWING IS UNPUBLISHED. RELEASED FOR PUBLICATION  
 © COPYRIGHT BY TYCO ELECTRONICS CORPORATION. ALL RIGHTS RESERVED.

LOC	DIST	REVISIONS			
P	LTR	DESCRIPTION	DATE	DWN	APVD
-	-	A	REV PER ECO 10-021982	10-27-10	CT KH



MATING FACE



- 1 FRONT & REAR INSULATOR: HIGH-TEMP THERMOPLASTIC OR THERMOSET EPOXY PER ASTM D5948. CONTACT RETENTION CLIPS: STAINLESS STEEL PER AISI 302 OR COPPER ALLOY PER ASTM B194
- 2 DATE CODE: YEAR & WEEK (YY WW)
- 3 DESCRIPTIVE PART NUMBER GPRBNC3SA  
THIS INSERT CONTAINS: 3 CAVITIES FOR SIZE 5 SOCKET COAX CONTACTS
- 4 THIS PRODUCT IS SOLD BY TYCO ELECTRONICS UNDER A LICENSE FROM RADIALL SA.

1738090-1  
PART NUMBER

THIS DRAWING IS A CONTROLLED DOCUMENT FOR TYCO ELECTRONICS CORPORATION. IT IS SUBJECT TO CHANGE AND THE CONTROLLING ENGINEERING ORGANIZATION SHOULD BE CONTACTED FOR THE LATEST REVISION.		DWN	06MAY10	Tyco Electronics Harrisburg, PA 17105-3608	
DIMENSIONS:		CHK	06MAY10	PRELIMINARY	
mm	TOLERANCES UNLESS OTHERWISE SPECIFIED:	JPM	06MAY10		
	0 PLC ±-	APVD	06MAY10		
	1 PLC ±0.1	NAME		INSERT ASSEMBLY, SOCKET, NON-ENVIRONMENTAL ARRANGEMENT C3, KEY A, GPRB	
	2 PLC ±0.05	PRODUCT SPEC		-	
	3 PLC ±-	APPLICATION SPEC		-	
	4 PLC ±-	WEIGHT		-	
	ANGLES ±1	CUSTOMER DRAWING		SCALE 4:1 SHEET 1 OF 1 REV A	
	FINISH	SIZE		A200779C-1738090	
MATERIAL		CAGE CODE		DRAWING NO	
		RESTRICTED TO		-	