

OR

Flange kits mount to the rear of our 1591 series (using glue)...

Three sizes cover our entire 1591 series...

Flange kits can be screwed to the lid of our 1591 series...



Flange slots allow for easy cable tie hanging...

Molded in the same high quality, high strength, fire retardant ABS plastic (black only) as our 1591 series (Catalog SC-5B).

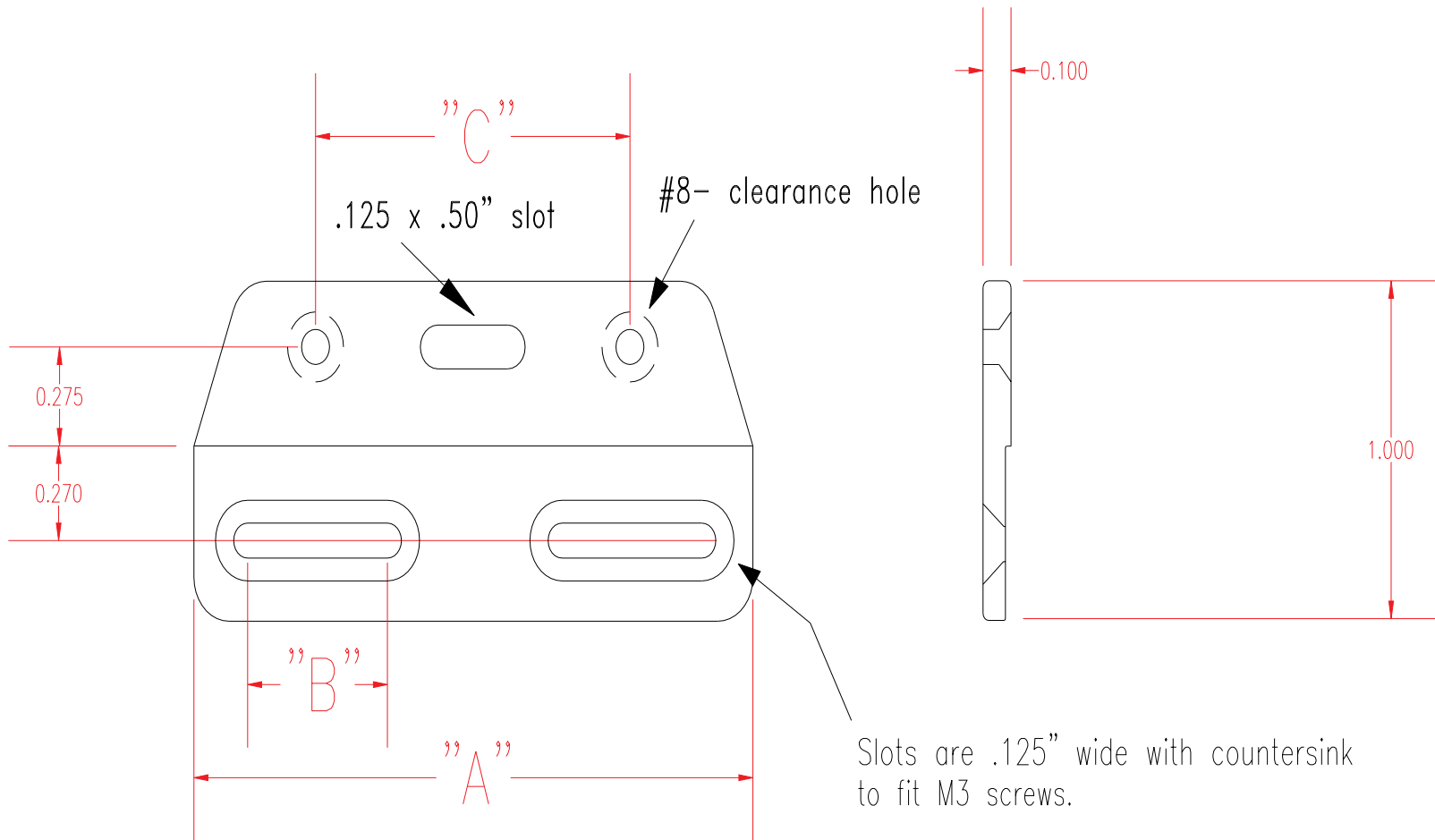
Used with Enclosure	Box mounted flange Part Number
1591L	1591F1BK-10
1591A	1591F1BK-10
1591B	1591F1BK-10
1591C	1591F1BK-10
1591D	1591F2BK-10
1591E	1591F3BK-10
1591G	1591F2BK-10
1591H	1591F1BK-10
1591S	1591F2BK-10
1591T	1591F2BK-10
1591U	1591F3BK-10
1591V	1591F3BK-10

SOLD IN PACKS OF 10

NOTE: When gluing flanges to ABS plastic boxes we recommend standard ABS cement. To glue flanges to our styrene enclosures we recommend a faster setting glue like Loctite's "Quick Tite"

Used with Enclosure	Lid mounted flange Part Number
1591L	1591F1BK-10
1591A	1591F1BK-10
1591B	1591F1BK-10
1591C	1591F2BK-10
1591D	1591F2BK-10
1591E	1591F3BK-10
1591G	1591F3BK-10
1591H	1591F2BK-10
1591S	1591F3BK-10
1591T	1591F2BK-10
1591U	1591F3BK-10
1591V	1591F3BK-10

SOLD IN PACKS OF 10



Slots are .125" wide with countersink to fit M3 screws.

Flanges are available Bulk packed "-BULK"
 Flanges are available in packages of 10 pieces "-10"

Part Number	Dimensions (inches)		
	A	B	C
1591F1	2.2	.25	1.5
1591F2	3.0	.26	2.0
1591F3	4.5	.60	3.25

Stocked Colour is Black, Standard Hammond Colours available on special order.
 Material is FRABS Plastic.