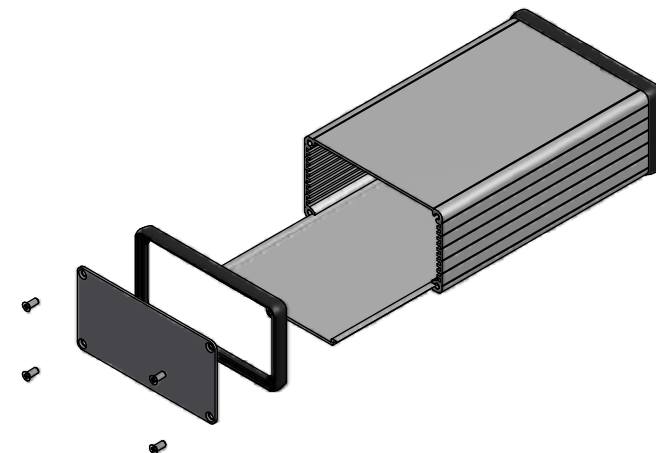
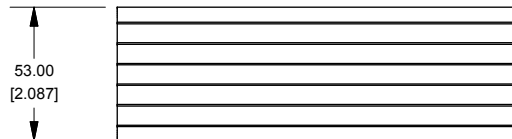
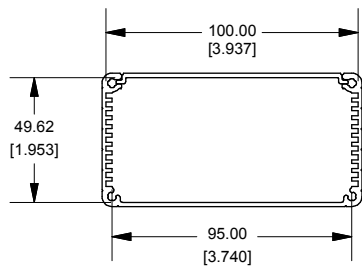
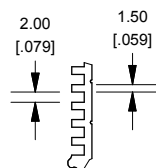


Extrusion

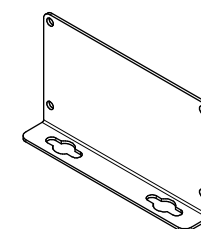
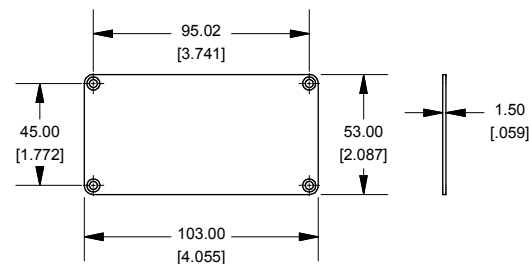


EXTRUSION DESIGNED FOR 100MM WIDE PC BOARD

Slot Details



End Plate



OPTIONAL FLANGE END PANELS 1455NF

Enclosures can be Factory Modified (Milling, Drilling, Printing etc.)
 Solid models of this enclosure available in STEP or IGES.
 Contact Factory mjm@hammondmfg.com

NOTE	
Purchased assembly includes box, plastic bezels, end panels, #6 Taptight screws and self adhesive rubber feet.	
Box made from Extruded Aluminum 6063.	
Bezels made with polycarbonate.	

1455N1601 PART NUMBERS	
Clear Anodized	1455N1601
Black Anodized	1455N1601BK
ACCESSORIES	
See website for accessories.	

**HAMMOND
MANUFACTURING™**
1455N1601
www.hammondmfg.com

B

B



A

A

