

PRODUCT SPECIFICATION SHEET			DWG NO.	502-SP
REVISIONS			TITLE	
REV	ECO	DESCRIPTION	BY/DATE	CHK'D/DATE
A		INITIAL RELEASE	IB 11-21-95	
B	1003	CHANGED 2.225 AND 1.20 FROM FRACTIONS.	IB 9-30-97	

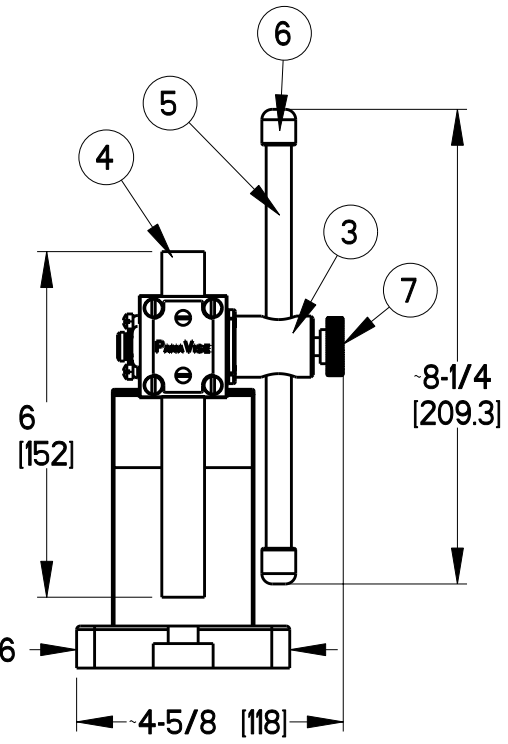
ALL DIMENSIONS ARE FOR REFERENCE ONLY
DIMENSIONS ARE IN INCHES [MILLIMETERS]
UNLESS OTHERWISE NOTED

SPECIFICATIONS

CAPACITY 500 LBS (227 KG) FORCE
OVERALL HEIGHT ... 12-3/4 [326] MAXIMUM
SHIPPING WEIGHT ... 5.95 LBS [2.7 KG]
COLOR SILVER
THROAT DEPTH 2-1/4 [59]
RAM CLEARANCE ... 3-13/16 [96.8]

MATERIAL:

1. BASE ZINC DIE CAST - PAINTED
2. UPRIGHT ZINC DIE CAST - PAINTED
3. PINION SHAFT 12L14 STEEL
BLACK OXIDE
4. GEAR RACK MILD STEEL, 3/4" SQUARE
BLACK OXIDE FINISH ON TEETH
GROUND FINISH THREE SIDES
5. LEVER ROD COLD ROLLED STEEL
BRIGHT ZINC PLATE
6. LEVER ROD CAPS ... VINYL - BLACK
7. KNOB PLASTIC - BLACK
8. GIB SCREWS NYLON - WHITE



ALL DESIGN, OPERATIVE, AND PROCESS DATA PERTAINING TO THE ARTICLE ON THIS SHEET IS THE PROPERTY OF PANAVISE PRODUCTS, INC., RENO, NV. THIS INFORMATION IS DISCLOSED IN CONFIDENCE AND IS NOT TO BE COPIED, REPRODUCED, OR REVEALED TO OR APPROPRIATED BY OTHERS IN PART OR IN WHOLE, WITHOUT THE EXPRESSED CONSENT OF PANAVISE. THIS PRINT IS LOANED, AND MUST NOT BE USED IN ANY MANNER DETRIMENTAL TO THE INTEREST OF PANAVISE, AND MUST BE RETURNED ON DEMAND.



BASIC DIM. ENGLISH (ALTERNATE DIM. METRIC)			
DRAWN	DATE	SCALE	SHT 1 OF 1
J CIROTA	23 APR 03	3:10	

TITLE		
PANAPRESS MODEL 502		
SIZE	DWG. NO.	REV
A	502-SP	B