

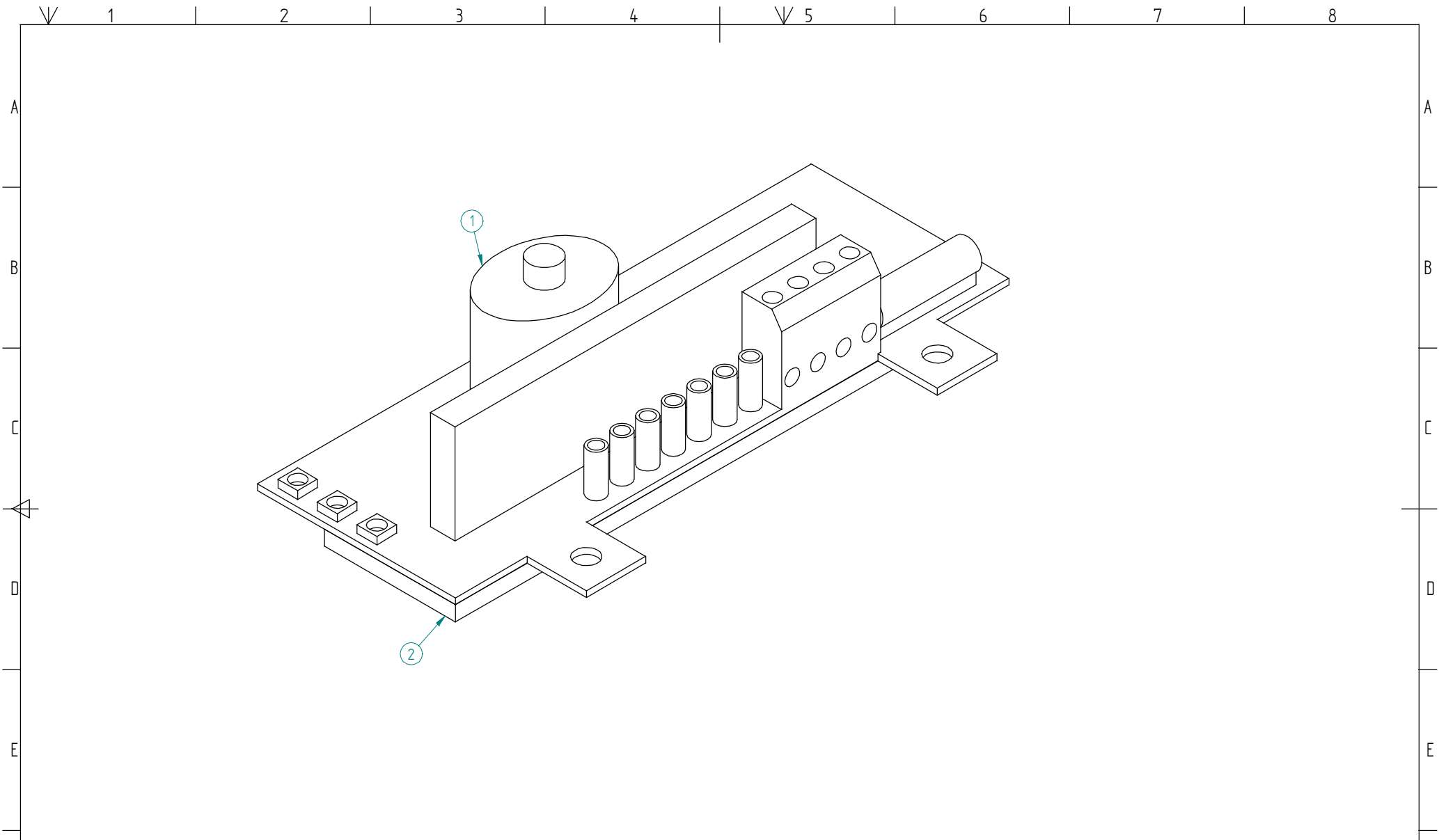
Specification: (Ta=32°C)	Code:	Description:
Heat transfer, cold side:	XX	
Heat transfer, warm side:	XXX	
Cascade:	-	
Cooling power: [W]		
Voltage, nominal: [VDC]	24	24 VDC (28.5 VDC Max.)
Current, nominal:	-	
TE-Module(s) connections:	-	
Fan(s), cold side:	X	-
Fan(s), warm side:	X	-
Temperature controller, sensor:	E	Pulse Width Modulation (PWM), NTC
Temperature control settings:	C	5°C
Trimtable:		-2 to 17°C
Accuracy & Hysteresis:		±15°C, 0.5°C
Temperature control position:	2	Hot side
Options: Voltage protection:	6	Low voltage: 21.9V=Off/24.2V=On High voltage: 30.3V=Off/30.0V=On
Rapid Cooling / Economy:		Automatic cool down at -26.5V/Economy at -25.3V
Weight:		0.05 kg
Overheating thermostat:		-
Max. operating temperature:		70°C PC board environment
Enclosed:		-
Packing:		Plastic bag

Revision notes and dates (yyymmdd):


Rev. 0: YYMMDD, First issue.

Weight: 0.047 kg

Comments / deviations: Pulse Width Modulation, Battery guard, High V, Compact		General tolerances: SS-ISO 2768-1 m	
Designed by: A.Thorén	Approved by: H. Lindberg	Date: (y/m/d) 05/06/07	Customer: Supercool AB
Supercool AB Box 27, S-40120 Göteborg, Sweden tfn +46 31 420530, fax +46 31 247909 e-mail: info@supercool.se Web: www.supercool.se		Project: Standard	
Title: CONTROL PWM 5°C 24V LOW/HIGH V ACD		Part nr: TC-24-EC-26	Rev. nr. Status: Scale: Size, sheet 0 0 1:1 A3, 1/21



Nr.	Qty.	Part nr.	Title.	Subject.	Material.	Comment.	Sts.	Rev.
1	1	RZE-YACD-24-BANTAT	CONTROL PWM 24V	TYPE E		Pulse Width Modulation	Avai labl e	
2	1	RPL-01615	INSULATION YACD		RG30, Tape 0241, PP Foil 0.5, Black	Electrical insulation	Avai labl e	0

Material:		Comment/Treating: Pulse Width Modulation, Battery gu...		General tolerances: ±0.150/±0.276/±0.127	
Designed by: A.Thorén	Approved by: H.Lindberg	Date: (y/m/d) 05/06/07	Customer: Supercool AB	Project: Standard	
 Supercool AB Box 27, S-40120 Göteborg, Sweden tfn: +46 31 420530, fax: +46 31 247909 e-mail: info@supercool.se Web: www.supercool.se		Title: CONTROL PWM 5°C 24V LOW/HIGH V ACB			
		Part nr: TC-24-EC-26	Rev. nr. 0	Status: 0	Scale: 1:1