

|                   |      |               |
|-------------------|------|---------------|
| CUSTOMER TERMINAL | RoHS | LEAD(Pb)-FREE |
| Sn96%, Ag4%       | Yes  | Yes           |

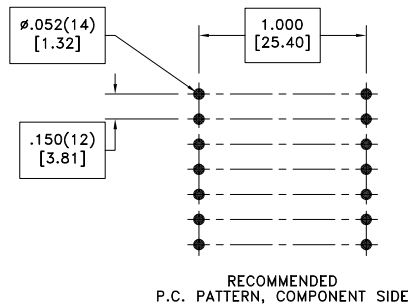
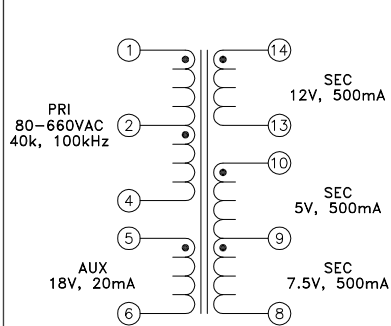
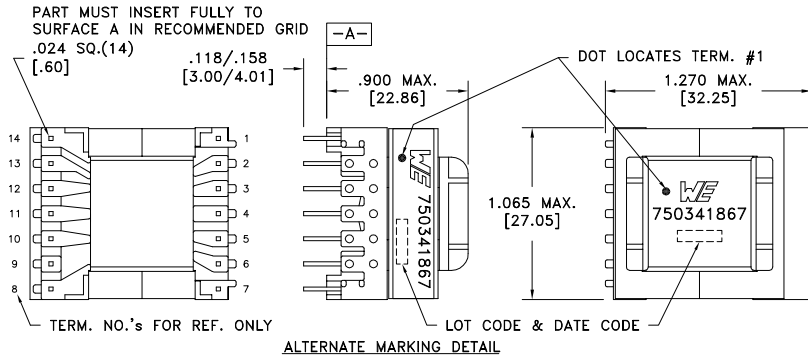


ELECTRICAL SPECIFICATIONS @ 25°C unless otherwise noted:

| PARAMETER          | TEST CONDITIONS                                | VALUE           |
|--------------------|--|-----------------|
| D.C. RESISTANCE    | 1-4 @20°C                                      | 1.196 ohms max. |
| D.C. RESISTANCE    | 14-13 @20°C                                    | 0.089 ohms max. |
| D.C. RESISTANCE    | 10-9 @20°C                                     | 0.045 ohms max. |
| D.C. RESISTANCE    | 9-8 @20°C                                      | 0.058 ohms max. |
| D.C. RESISTANCE    | 5-6 @20°C                                      | 0.248 ohms max. |
| INDUCTANCE         | 1-4 50kHz, 100mVAC, Ls                         | 1.3mH ±8%       |
| LEAKAGE INDUCTANCE | 1-4 tie(5+6+8+9+10+13+14), 100kHz, 100mVAC, Ls | 10uH max.       |
| DIELECTRIC         | 1-14 tie(13+10), 3750VAC, 1 second             | -               |
| DIELECTRIC         | 1-5 1800VAC, 1 second                          | -               |
| DIELECTRIC         | 14-Core tie(13+10), 3750VAC, 1 second          | -               |
| TURNS RATIO        | (1-4):(14-13)                                  | 6.92:1, ±2%     |
| TURNS RATIO        | (1-4):(10-9)                                   | 18.00:1, ±2%    |
| TURNS RATIO        | (1-4):(9-8)                                    | 12.86:1, ±2%    |
| TURNS RATIO        | (1-4):(5-6)                                    | 6.00:1, ±2%     |

GENERAL SPECIFICATIONS:

OPERATING TEMPERATURE RANGE: -40°C to +125°C including temp rise.



Wire insulation & RoHS status not affected by wire color.  
Wire insulation color may vary depending on availability.

|      |      |  |                      |  |                                     |                              |
|------|------|--|----------------------|--|-------------------------------------|------------------------------|
| REV. | DATE | Packaging Specifications<br>Method: Tray<br>PKG-0737<br>www.we-online.com/midcom |                      | Tolerances unless otherwise specified:<br>Angles: ±1°<br>Fractions: ±1/64<br>Decimals: ±.005 [0.13]<br>Footprint: ±.005 [0.13] | DRAWING TITLE<br><b>TRANSFORMER</b> | PART NO.<br><b>750341867</b> |
| 6A   | 5/13 | SEE REVISION SHEET FOR REVISION LEVEL  | CONVENTION PLACEMENT | This drawing is dual dimensioned. Dimensions in brackets are in millimeters.   | eiSos p/n: 750341867                | SPECIFICATION SHEET 1 OF 1   |