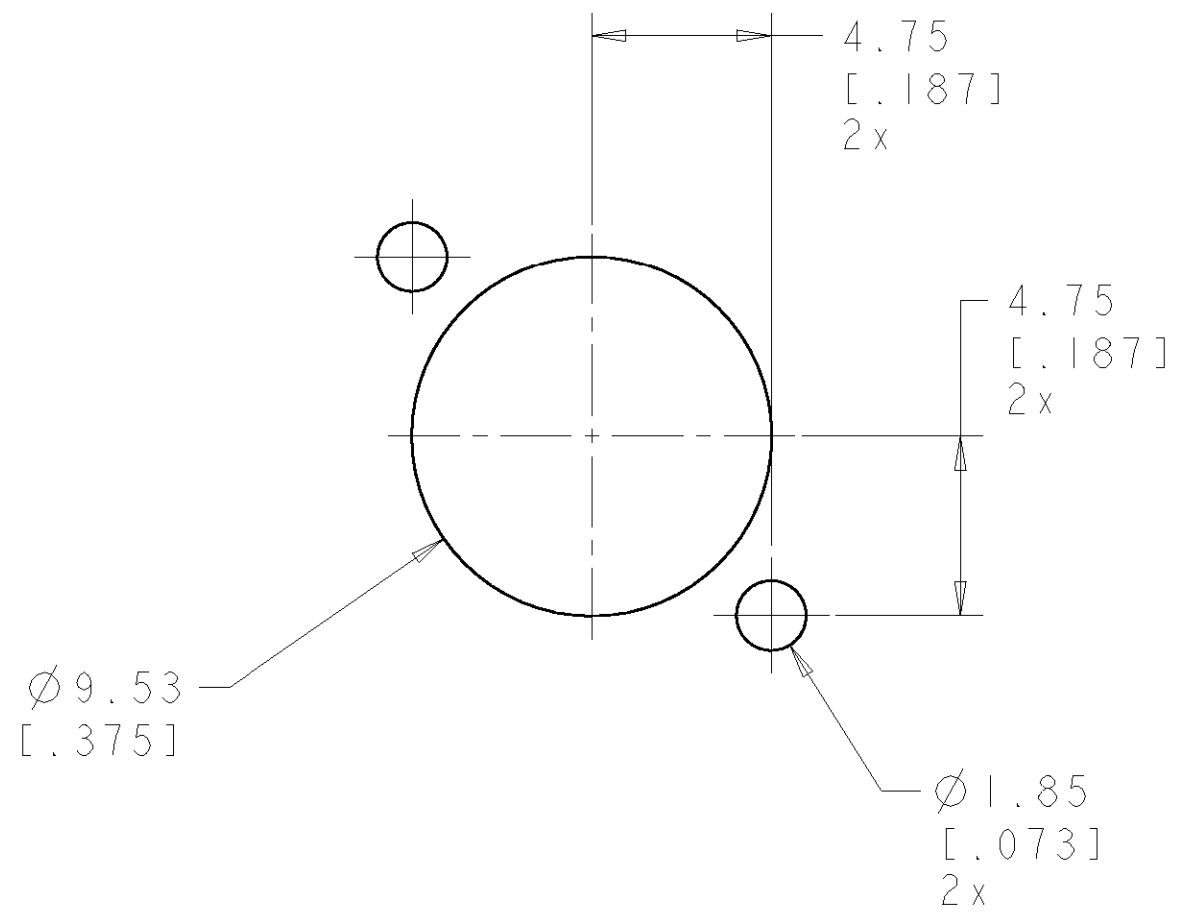
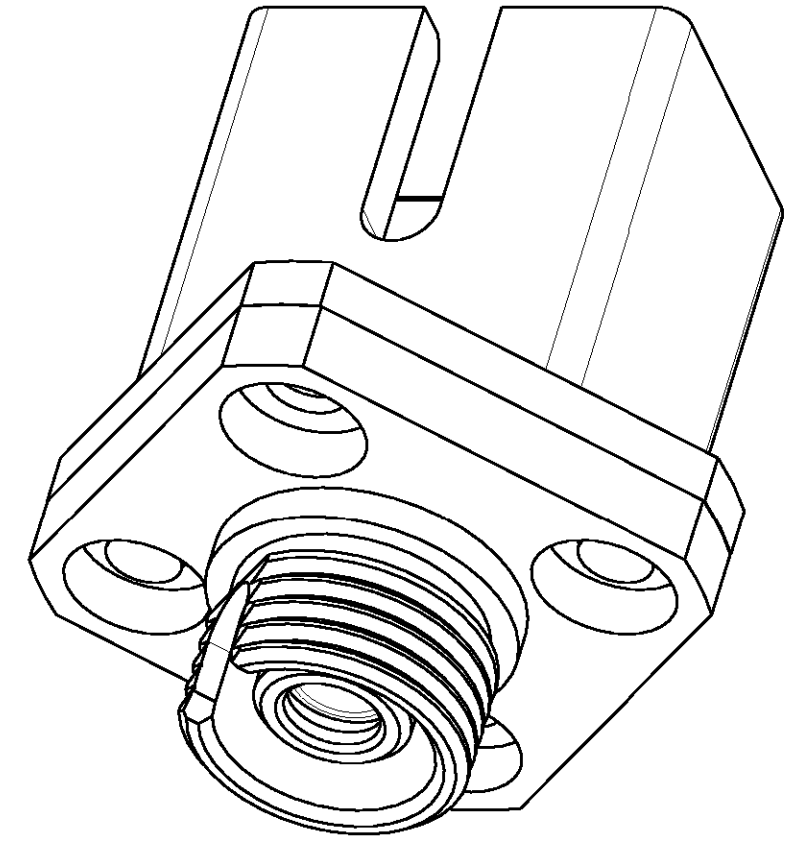
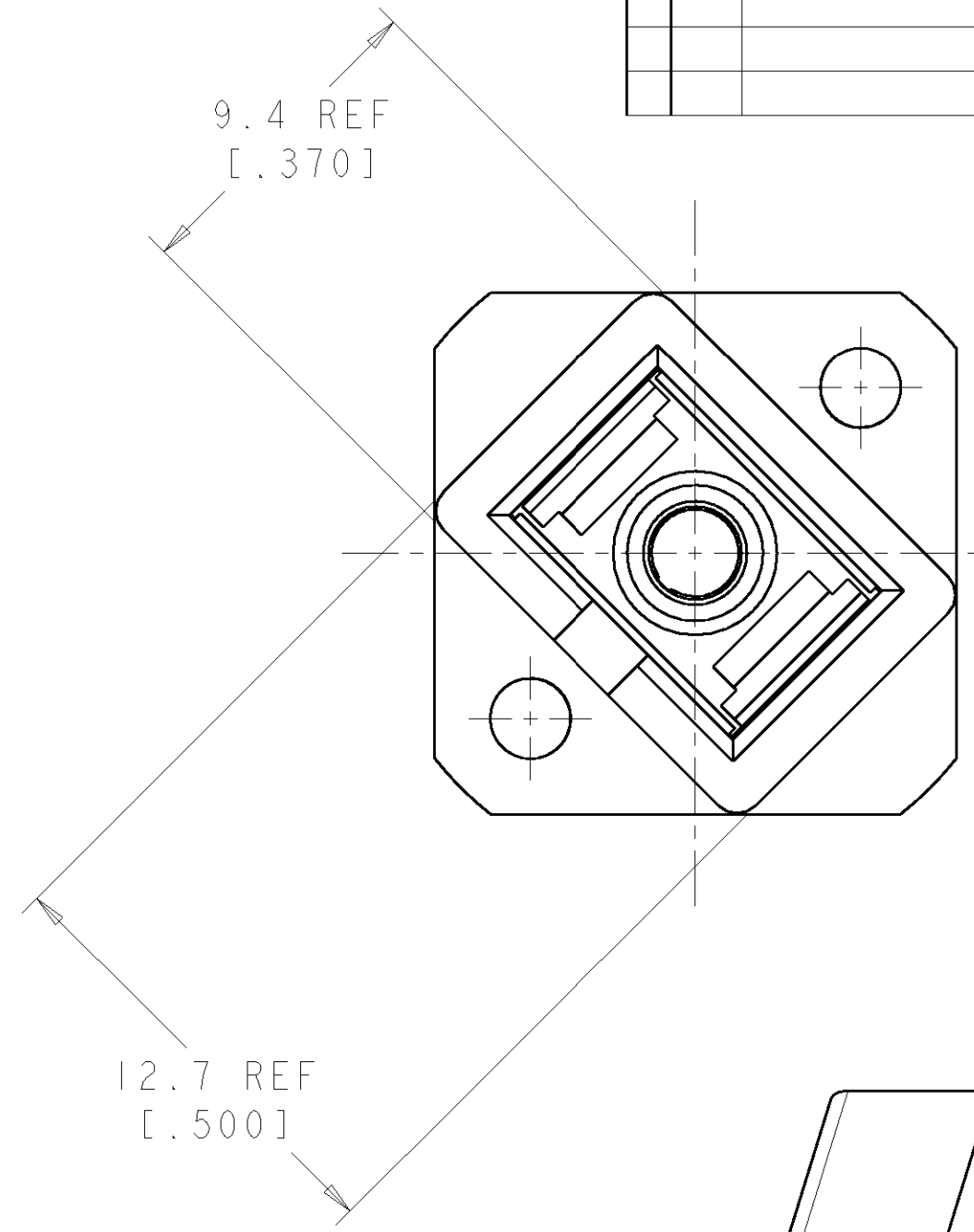
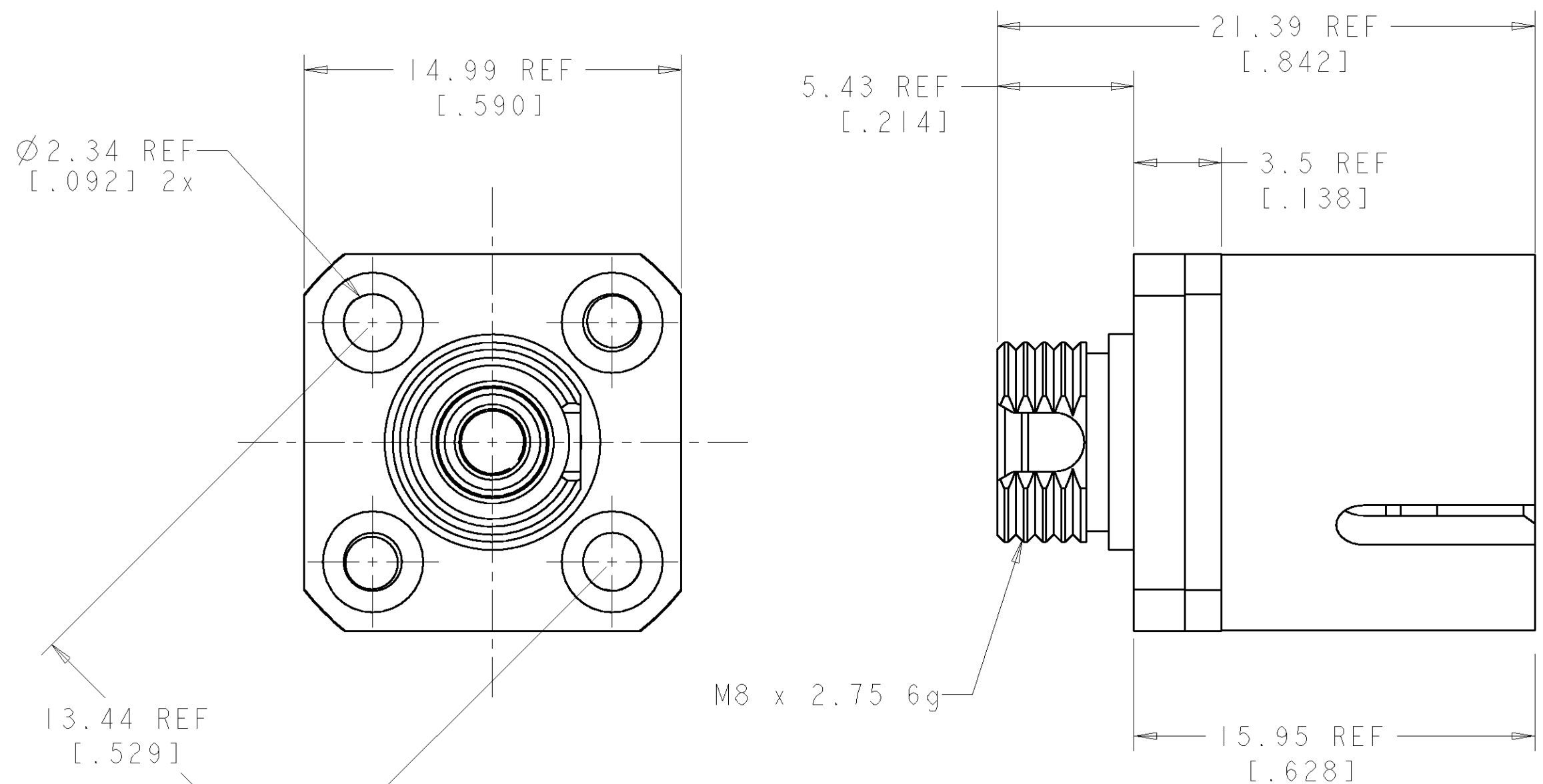


THIS DRAWING IS UNPUBLISHED. RELEASED FOR PUBLICATION 20
 © COPYRIGHT 20 BY TYCO ELECTRONICS CORPORATION. ALL RIGHTS RESERVED.

| LOC | DIST | REVISIONS | | | | | |
|-----|------|-----------|-----|-------------------------|-----------|-----|------|
| CE | 00 | P | LTR | DESCRIPTION | DATE | DWN | APVD |
| | | J | | REVISE PER 0A00-0150-05 | 22APR2005 | BB | SM |



SUGGESTED PANEL CUTOUT ³

- 1. PROTECTIVE COVERS NOT SHOWN.
- ² MATERIAL:
 HOUSING: NICKEL PLATED ZINC/BRASS
 SLEEVE: PHOSPHOR BRONZE
 SLEEVE: ZIRCONIA
 PROTECTIVE COVER: VINYL
 PROTECTIVE COVER: THERMOPLASTIC ELASTOMER
- ³ RECOMMENDED PANEL THICKNESS
 1.6 ± 0.1 [.063 ± .004]

| | |
|------------------|-------------|
| CERAMIC | 503480-2 |
| METAL | 503480-1 |
| ALIGNMENT SLEEVE | PART NUMBER |

| | | | | |
|---|--|---------------------------------|---|------------------------|
| THIS DRAWING IS A CONTROLLED DOCUMENT FOR TYCO ELECTRONICS CORPORATION. IT IS SUBJECT TO CHANGE AND THE CONTROLLING ENGINEERING ORGANIZATION SHOULD BE CONTACTED FOR THE LATEST REVISION. | | DWN B. BRIGGS 22APR2005 | Tyco Electronics Harrisburg, PA 17105-3608 | |
| DIMENSIONS: mm [INCHES] | | CHK S. MILLER 22APR2005 | NAME ADAPTER, HYBRID, SIMPLEX, METALLIZED AMP SC TO FC TYPE | |
| TOLERANCES UNLESS OTHERWISE SPECIFIED: 0 PLC ± 1 PLC ± 2 PLC ± 3 PLC ± 4 PLC ± ANGLES ± FINISH | | APVD S. RUCHTER 22APR2005 | RESTRICTED TO | |
| MATERIAL ² | | PRODUCT SPEC - | SIZE A200779 | DRAWING NO G-503480 |
| CUSTOMER DRAWING | | APPLICATION SPEC - | SCALE 5:1 | SHEET OF 1 REV J |