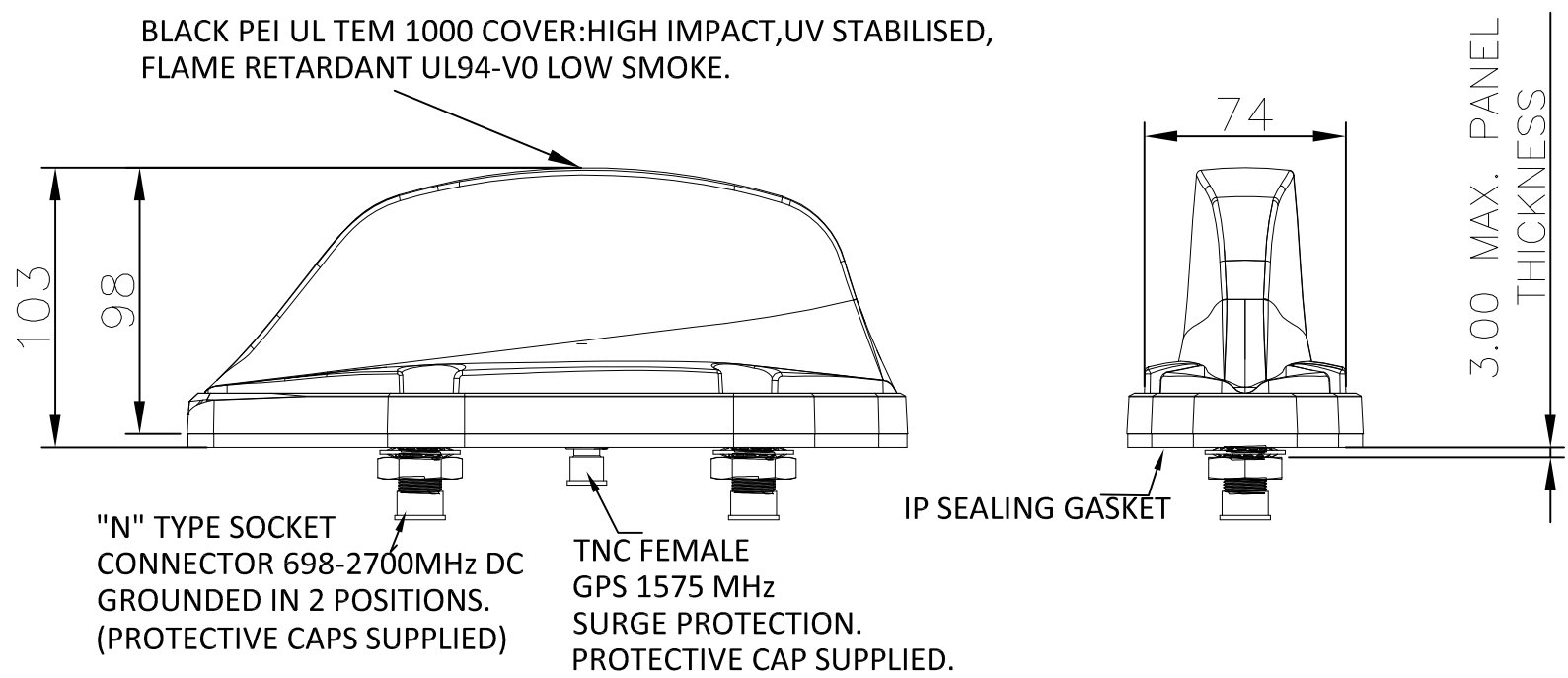


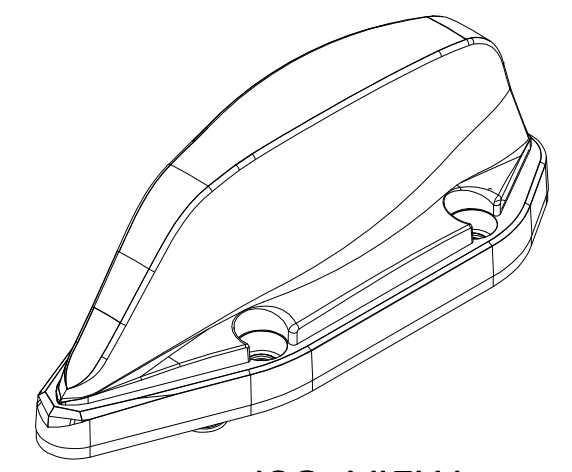
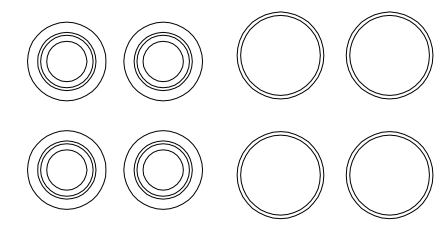
THIS DRAWING IS UNPUBLISHED. RELEASED FOR PUBLICATION FEB ,2006.  
 © COPYRIGHT 2006 By - ALL RIGHTS RESERVED.

PROJECT	PRJ-16-000905033
PART NO	1-2823592-1
HV DESC	MiMo with GPS/GNSS,2X 698-960/1710-6000 MHZ
CUSTOMER	GENERAL MARKET

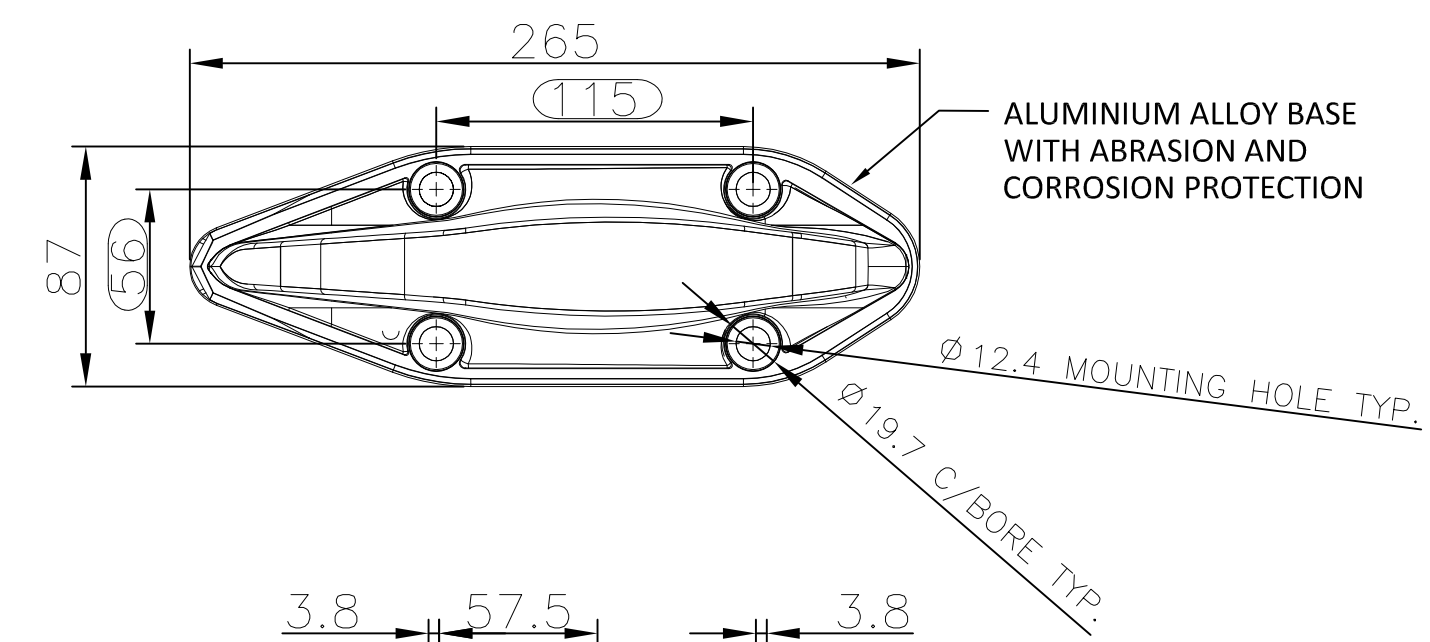
REVISIONS					
P	LTR	DESCRIPTION	DATE	DWN	APVD
	A1	ECR-16-007284	20MAY16	GG	GG



4 X M12 SEALING WASHERS AND BOLT CAPS SUPPLIED LOOSE



ISO VIEW



NOTES:

1. ALL PARTS MUST BE RoHS COMPLIANT AND MUST NOT CONTAIN ANY SUBSTANCES OF VERY HIGH CONCERN (SVHCs) LISTED UNDER REACH OR POLYAROMATIC HYDRACARBONS (PAHs) OR PERSISTENT ORGANIC POLLUTANTS (POPs) CONTROLLED BY THE STOCKHOLM CONVENTION.
2. DENOTES CRITICAL DIMENSION
3. WEIGHT 1294g(Approx)
4. FOR INSTALLATION INSTRUCTIONS,PLEASE REFER 408-156025

THIS DRAWING IS A CONTROLLED DOCUMENT.		DWN	GUNA	04MAR2016	TE Connectivity			
		CHK	GUNA	04MAR2016				
		APVD		04MAR2016	NAME			
		PRODUCT SPEC			TRANSIT ANTENNA			
		APPLICATION SPEC			MiMo with GPS/GNSS,2X 698-960/1710-6000 MHZ			
DIMENSIONS: mm		TOLERANCES UNLESS OTHERWISE SPECIFIED:			SIZE	CAGE CODE	DRAWING NO	RESTRICTED TO
 0 PLC ± 5 1 PLC ± - 2 PLC ± - 3 PLC ± - 4 PLC ± - ANGLES ± -		MATERIAL			A3 00779		G-2823592	
MATERIAL		FINISH			WEIGHT		CUSTOMER DRAWING	
					SCALE		SHEET	
					NTS		1 OF 1	
							REV A1	