

4

3

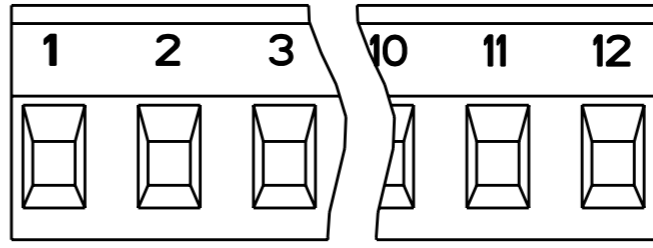
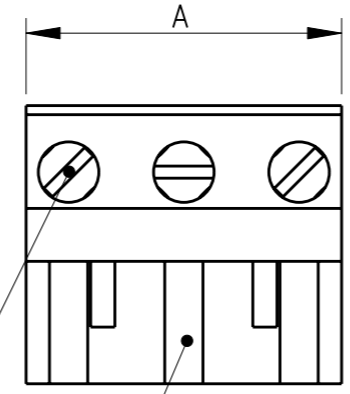
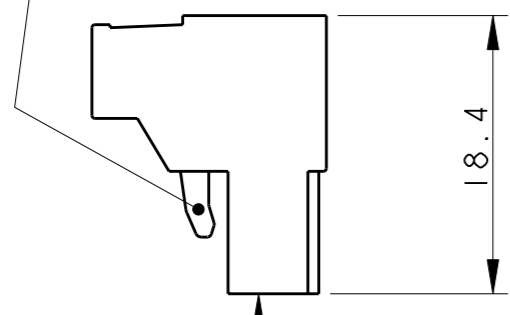
2

1

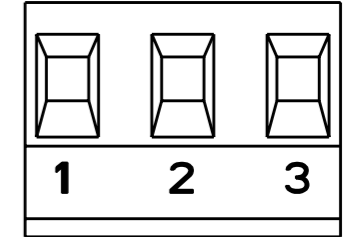
THIS DRAWING IS UNPUBLISHED. RELEASED FOR PUBLICATION 20
 © COPYRIGHT 20 ALL RIGHTS RESERVED.

LOC	DIST	REVISIONS			
P	LTR	DESCRIPTION	DATE	DWN	APVD
FT	0	C2	REVISED PER ECO-11-008467	25APR2011	HMR CR

RETENTION LATCH
(DISPOSITIVO DI RITENZIONE)



1-282959-5 AS SHOWN



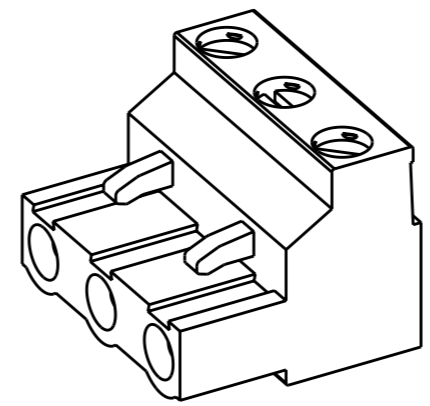
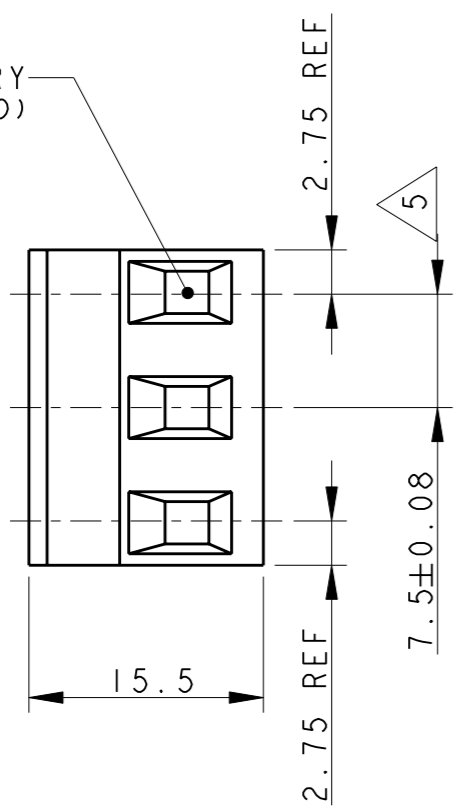
1-282959-6 AS SHOWN

MATING FACE
(LATO DI ACCOPPIAMENTO)

CLAMPING SCREW
(VITE DI SERRAGGIO)

POLARIZATION KEY SLOT
(SEDE PER LINGUETTE DI CODIFICA)

WIRE ENTRY
(INGRESSO CAVO)



282959-3 AS SHOWN

	MARKING	COLOUR	DIM.A	N° OF POS.	PART NUMBER
6	/	GRAY	20.5	3	1-282959-9
6	AS SHOWN	GREEN	20.5	3	1-282959-6
6	AS SHOWN	GREEN	90.0	12	1-282959-5
7	/	GREEN	73.0	10	1-282959-4
7	/	BLACK	20.5	3	1-282959-3
/	/	GREEN	88.0	12	1-282959-2
/	/	GREEN	80.5	11	1-282959-1
/	/	GREEN	73.0	10	1-282959-0
/	/	GREEN	65.5	9	282959-9
/	/	GREEN	58.0	8	282959-8
/	/	GREEN	50.5	7	282959-7
/	/	GREEN	43.0	6	282959-6
/	/	GREEN	35.5	5	282959-5
/	/	GREEN	28.0	4	282959-4
/	/	GREEN	20.5	3	282959-3
/	/	GREEN	13.0	2	282959-2

THIS DRAWING IS A CONTROLLED DOCUMENT.		DWN S. SCHLEGEL 25JUN96	TE Connectivity	
DIMENSIONS: mm		CHK R. CANTORE 25JUN96		
TOLERANCES UNLESS OTHERWISE SPECIFIED:		APVD R. CANTORE 25JUN96	NAME	
0 PLC ±- 1 PLC ±0.2 2 PLC ±0.20 3 PLC ±0.001 4 PLC ±0.0001 ANGLES ±2		PRODUCT SPEC -	TERMINAL BLOCK PLUG, 7.5mm PITCH	
MATERIAL -		APPLICATION SPEC -	SIZE A3	CAGE CODE 00779
FINISH -		WEIGHT -	DRAWING NO C-282959	RESTRICTED TO -
CUSTOMER DRAWING			SCALE 2:1	SHEET 1 OF 2 REV C2

THIS DRAWING IS UNPUBLISHED.

RELEASED FOR PUBLICATION

20

© COPYRIGHT 20

ALL RIGHTS RESERVED.

LOC	DIST	REVISIONS					
P	LTR	DESCRIPTION	DATE	DWN	APVD		
FT	0	-	SEE SHEET I	SEE SHEET I	-	-	-

1 MATERIALS AND FINISH
 HOUSING: PA 6-6, UL 94-V0.
 COLOURS: GRAY, RAL 7032.
 BLACK.
 GREEN.
 CLAMP: BRASS, NICKEL PLATED.
 DOUBLE SIDE CONTACT SPRING: PHOSPHOR BRONZE, TIN PLATED.
 CLAMPING SCREW: M3, BRASS, NICKEL PLATED.

1 MATERIALI E FINITURE
 BLOCCHETTO: PA 6-6, UL 94-V0.
 COLORE: GRIGIO, RAL 7032.
 NERO.
 VERDE.
 MORSETTO: OTTONE NICHELATO.
 DOPPIA MOLLA DI CONTATTO: BRONZO FOSFOROSO STAGNATO.
 VITE DI SERRAGGIO: M3, OTTONE NICHELATO.

2 WIRE SIZE RANGE
 SOLID WIRE: 0,03-2,5mm² (13AWG).
 STRANDED WIRE: 0,03-1,5mm² (15AWG).

2 CAPACITA' DI CONNESSIONE
 CAVO UNIPOLARE: 0,03-2,5mm² (13AWG).
 CAVO TREFOLATO: 0,03-1,5mm² (15AWG).

3 RECOGNIZED UNDER THE COMPONENT PROGRAM OF
 UNDERWRITERS LABORATORIES INC. FILE N° E60677.

3 PRODOTTO OMOLOGATO DA UNDERWRITERS
 LABORATORIES INC. FILE N° E60677.

4 IMQ CERTIFICATE WITH SURVEILLANCE IN
 CONFORMITY WITH IEC 998-1/998-2-1.

4 CERTIFICATO CON SORVEGLIANZA IMQ IN CONFORMITA'
 AGLI STANDARD IEC 998-1/998-2-1.

5 NOT CUMULATIVE TOLERANCE.


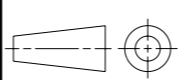
5 TOLLERANZA NON CUMULATIVA.

6 INK MARKING : BLACK COLOUR
 NUMERICAL SEQUENCE : FROM LEFT TO RIGHT,
 WIRE ENTRY SIDE

6 MARCHIATURA AD INCHIOSTRO : COLORE NERO
 SEQUENZA NUMERICA : DA SINISTRA VERSO DESTRA,
 LATO INGRESSO CAVO

7 NOT YET RELEASED FOR PRODUCTION

7 NON RILASCIATO IN PRODUZIONE

THIS DRAWING IS A CONTROLLED DOCUMENT.		DWN S. SCHLEGEL	25JUN96	 TE Connectivity	
DIMENSIONS: mm		CHK R. CANTORE	25JUN96		
		APVD R. CANTORE	25JUN96	NAME TERMINAL BLOCK PLUG, 7.5mm PITCH	
TOLERANCES UNLESS OTHERWISE SPECIFIED:		PRODUCT SPEC		RESTRICTED TO	
0 PLC ±-		APPLICATION SPEC		SIZE	
1 PLC ±0.2		WEIGHT		CAGE CODE	
2 PLC ±0.20		CUSTOMER DRAWING		DRAWING NO	
3 PLC ±0.001		SCALE		SHEET	
4 PLC ±0.0001		OF		REV	
ANGLES ±2		:		2	
MATERIAL		FINISH		2	
				C2	