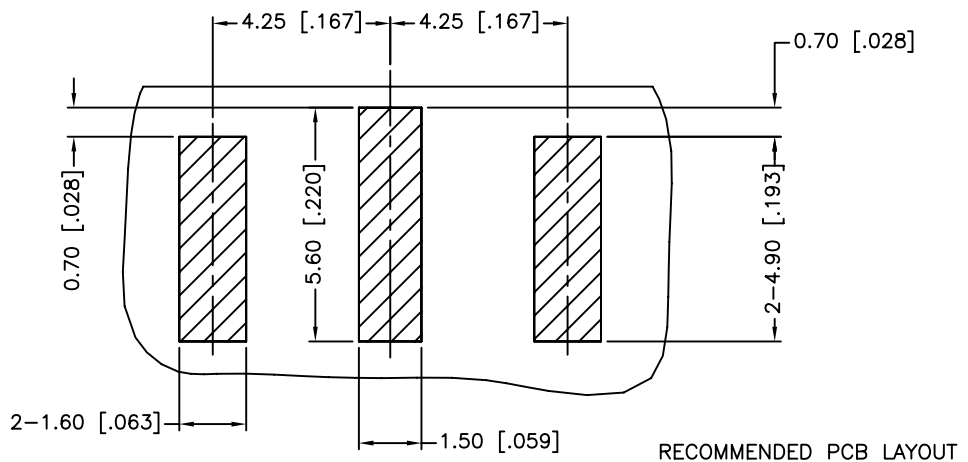
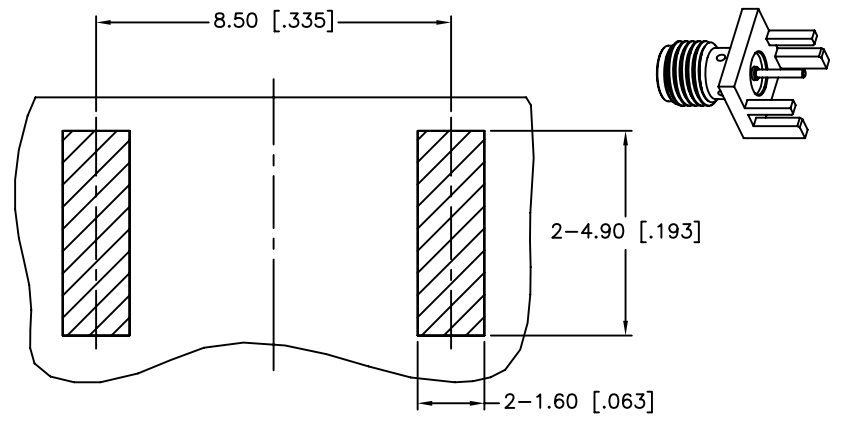


REV.	DATE	ECR NO.	DESCRIPTION
NC	01/09/12	XXXXXX	INITIAL RELEASE

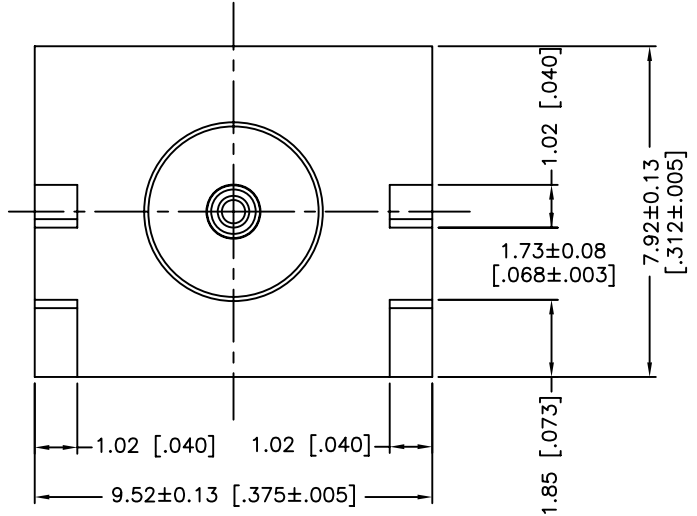
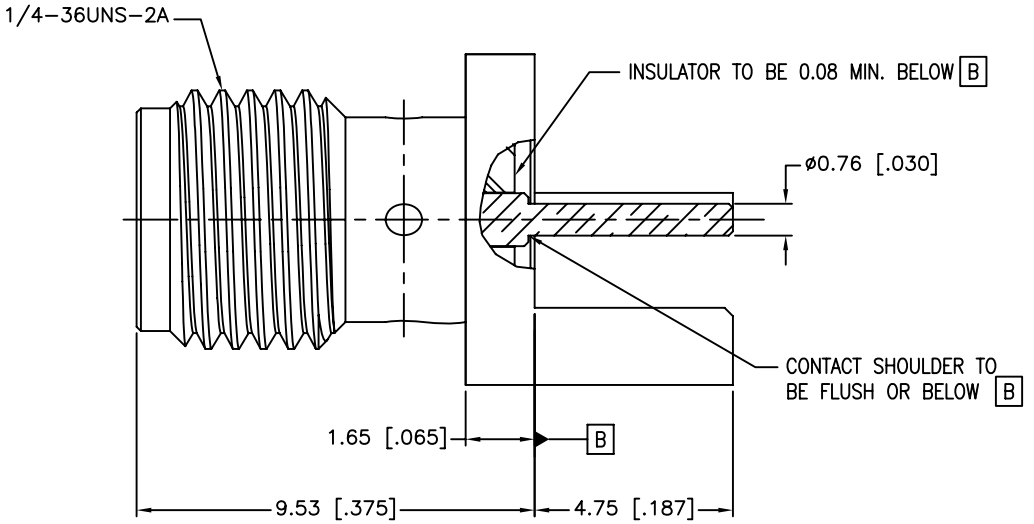
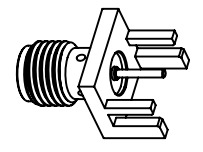


TOP VIEW

RECOMMENDED PCB LAYOUT



BOTTOM VIEW



1. IMPEDANCE: 50 OHM
2. FREQUENCY RANGE: DC 0-18 GHZ
3. VSWR: NOT APPLICABLE
4. DIELECTRIC WITHSTANDING VOLTAGE: 1000 VRMS, MIN.
5. BOARD THICKNESS=1.57 MM [0.062"]
6. CONTACT PIN MUST WITHSTAND 6 LBS MIN. AXIAL IN BOTH DIRECTIONS AND 4 IN-OZ MIN. RADIAL FORCE.

UNLESS OTHERWISE SPECIFIED DIMENSIONS ARE IN MILLIMETERS. DIMENSIONS IN [] ARE IN INCHES AND FOR CUSTOMER REFERENCE ONLY.

UNLESS OTHERWISE SPECIFIED TOLERANCES FOR MILLIMETERS ARE:
0.5 - 8mm ± 0.20mm
8 - 30mm ± 0.40mm
30 - 120mm ± 0.50mm

UNLESS OTHERWISE SPECIFIED TOLERANCES FOR INCHES ARE:
.020 - .315 ± 0.007"
.315 - 1.180 ± 0.015"
1.180 - 4.724 ± 0.020"

DO NOT SCALE DRAWING

APPROVALS	DATE
DRAWN M.ZHANG	01/09/12
CHECKED	
ISSUED	
SHEET 1 OF 1	
CAD FILE	C:/CONNEX/132255-12N.DWG

Amphenol Connex

PART DESCRIPTION			
SMA END LAUNCH RECEPT. JACK, FLUSH FLANGE (.062" BOARD THICKNESS)			
PART NO.		132255-12N	
DWG. NO.	132255-12N.DWG	REV.	NC
SIZE	A	SCALE	NA

QTY	FINISH	MATERIAL	DESCRIPTION
1	NICKEL	BRASS	BODY
1	NATURAL	PTFE	INSULATOR
1	GOLD	BER. COPPER	CONTACT PIN