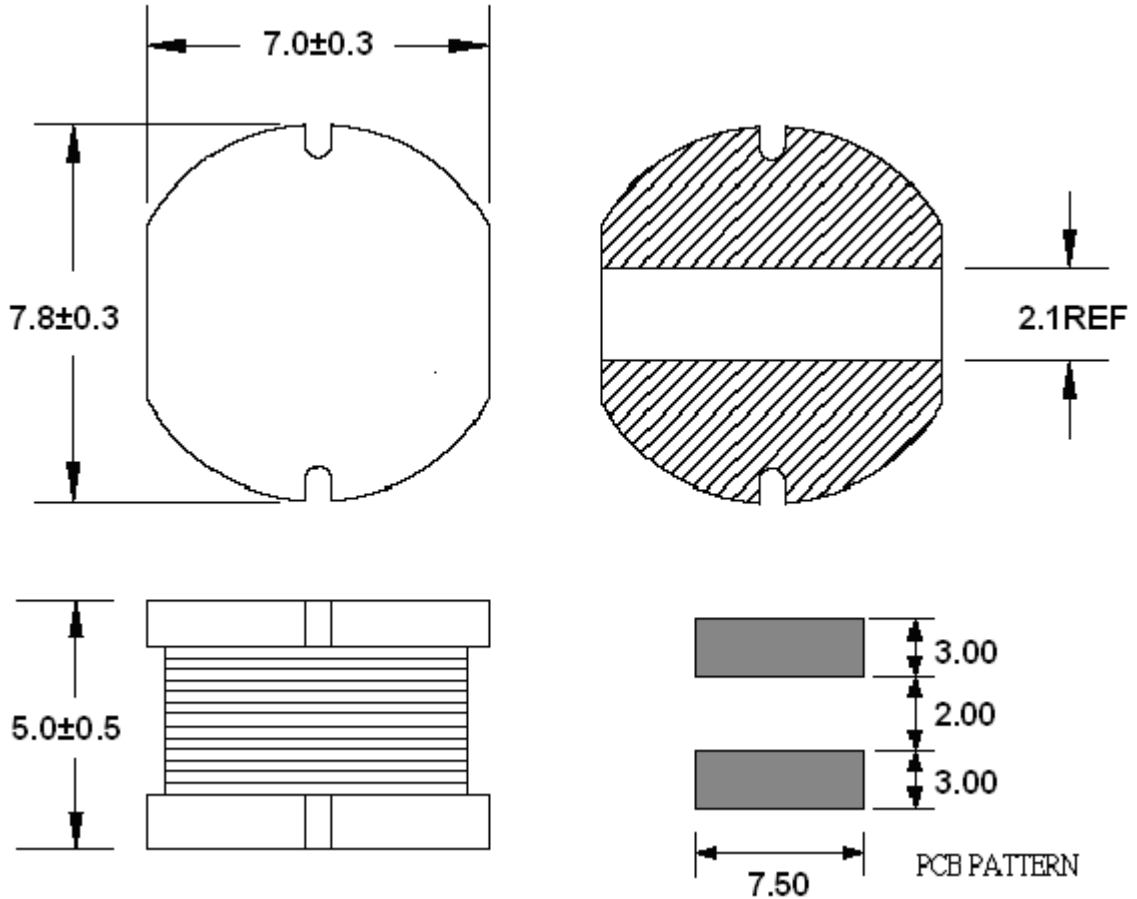


TCK-070



All dimensions in mm

SPECIFICATIONS

| | |
|---------------|---|
| Inductance | $10\mu\text{H} \pm 20\%$ |
| | Test Condition: 1KHz/1000mV Measurement Instrument: HP 4263B LCR Meter |
| Impedance | DCR(Max): $40\text{m}\Omega$ |
| | Measurement Instrument: Agilent 34401A Meter |
| Rated current | IDC(Max): 2.6A |
| | Measurement Instrument: Agilent 34401A Meter |