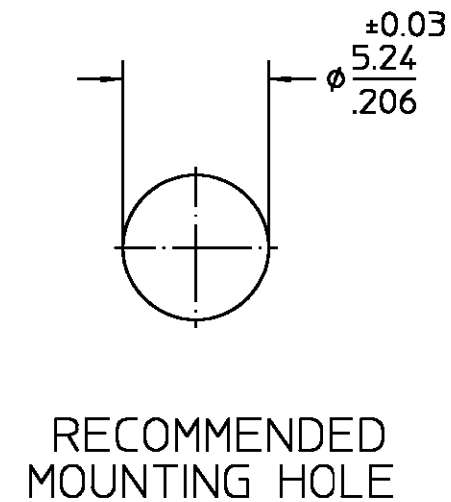
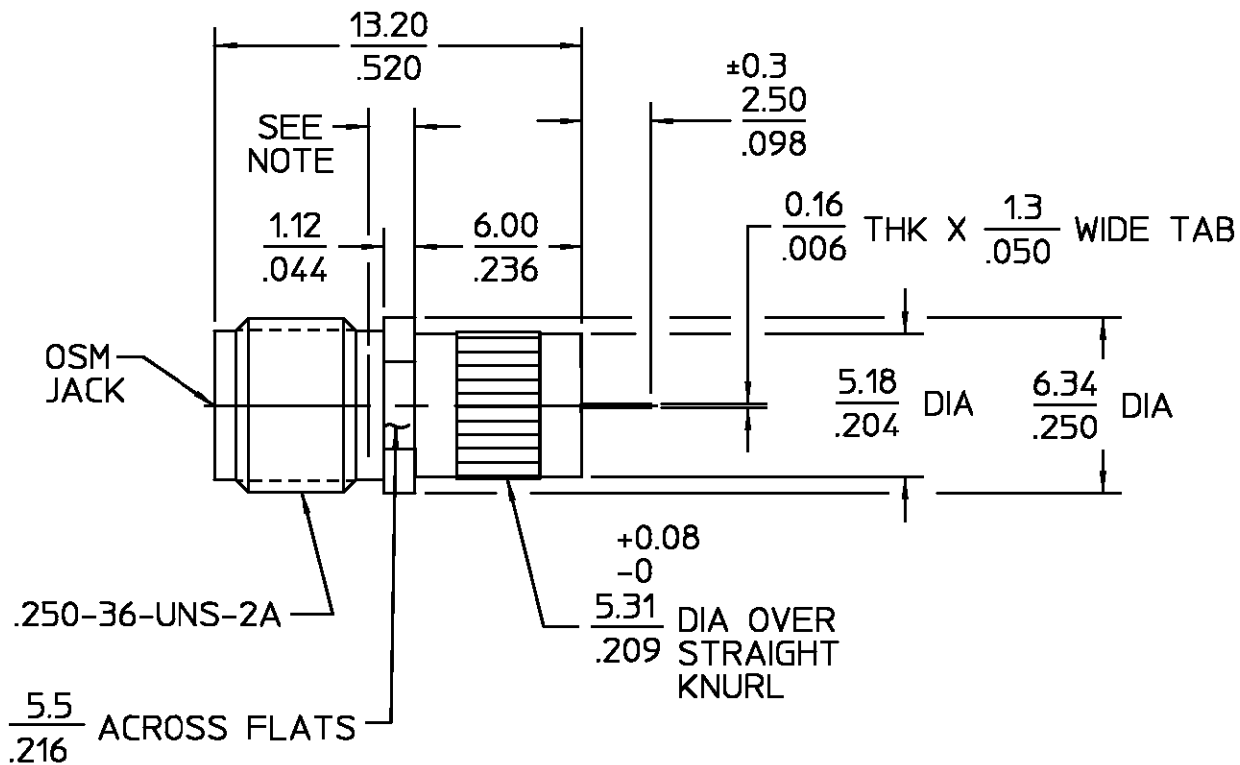


REVISIONS			
REV	DESCRIPTION	DATE	APPROVED
02 ₂	REVISED	1/28/97	ICom 1/28/97



ELECTRICAL	MECHANICAL	ENVIRONMENTAL	COMPONENT	MATERIAL	FINISH
Nominal Impedance (Ohms) <u>50</u>	Interface Dimensions MIL-STD-348A, Fig. <u>310.2</u>	Temperature Rating <u>-65 C° TO +125 C°</u>	HOUSING	BRASS	WHITE BRONZE
Frequency Range (GHz) <u>DC to 18 GHz</u>	Recommended Mating Torque <u>3-5 in/lbs(0.34Nm-0.57Nm)</u>	Vibration MIL-STD-202, Method 204, Condition D	DIELECTRIC	TFE FLUOROCARBON PER ASTM-D-1457	N/A
Volt Rating (VRMS MAX) @ Sea Level <u>335</u>	Mating Characteristics: Insertion (MAX Lbs) <u>3.0 (1.36kg)</u>	Shock MIL-STD-202, Method 213, Condition I	CENTER CONTACT	BERYLLIUM COPPER PER ASTM B 196, ALLOY C17300, CONDITION H	GOLD PLATE PER MIL-G-45204
VSWR <u>1.05 + .005 fGHz</u>	Withdrawal (MIN Oz) <u>1.0 (28.35g)</u>	Thermal Shock MIL-STD-202, Method 107, Condition B			
Insertion Loss (dB MAX) <u>.03 √f(GHz)</u>	Force to Engage and Disengage (In-Lbs MAX) <u>2(0.23Nm)</u>	Moisture Resistance MIL-STD-202, Method 106, Except Vibration			
RF Leakage (dB MIN) <u>-[90-f(GHz)]</u>	Center Contact Captivation: Axial (Lbs) <u>6.0 (2.7Kg) MIN FROM INTERFACE</u>	Shall Be Omitted			
Corona, 70,000 Ft (VRMS MIN) <u>250</u>	Radial (In-Oz) <u>4.0 (0.028Nm)</u>	Corrosion - MIL-STD-202, Method 101, Condition B, 5% salt spray			
Dielectric Withstanding Voltage (VRMS MIN) @ Sea Level <u>1000</u>	Weight (Grams) <u>TBD</u>				
Contact Resistance (Milliohms MAX): Center Contact <u>3.0</u> , Outer Contact <u>2.0</u>					
Cable to Housing <u>N/A</u>					
RF High Potential @ Sea Level (VRMS MIN @ 5 MHz) <u>670</u>					
I.R.(Megohms MIN) <u>10,000</u>					
			UNLESS OTHERWISE SPECIFIED DIMENSIONS ARE IN MILLIMETERS TOLERANCE ON DEC ±0.13 ANGLES ± °	DRAWN BY <u>ICom</u> DATE <u>12/11/95</u> CHECKED BY <u>ICom</u> APPD BY <u>ICom</u> DATE <u>12/11/95</u>	AMP Incorporated 140 Fourth Avenue Waltham, MA 02451-7599
			These drawings and specifications are the property of M/A-COM Interconnect Division and shall not be reproduced or copied or used in whole or in part as the basis for the manufacture or sale of item(s) without written permission.	USE ASS'Y PROCEDURE NO. AP. <u>N/A</u>	TITLE <u>OSM PANEL MOUNT JACK RECEPTACLE STRAIGHT TERMINAL</u>
					SIZE <u>B</u> CODE IDENT NO. <u>26805</u> 2058-5573-36 REV <u>02₂</u>
					SCALE <u>4:1</u> SHEET 1 OF 1