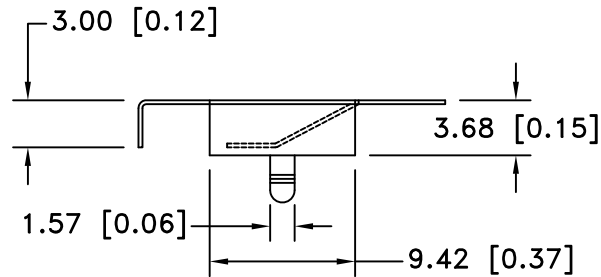
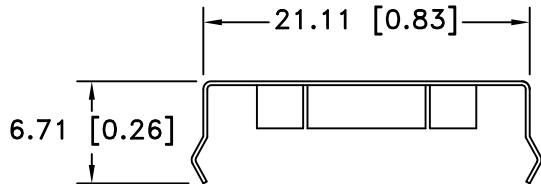
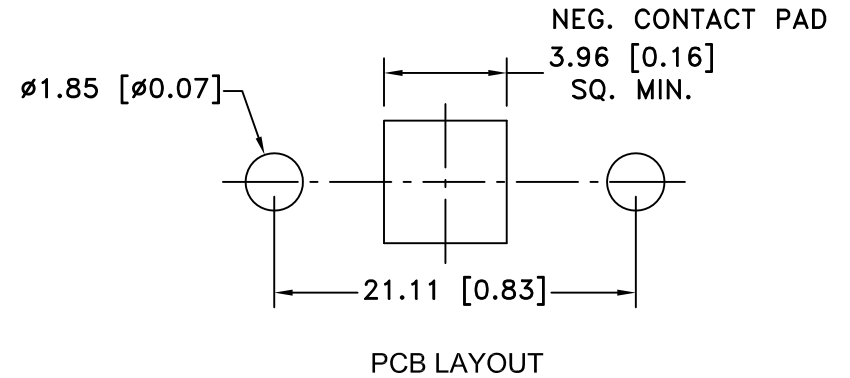
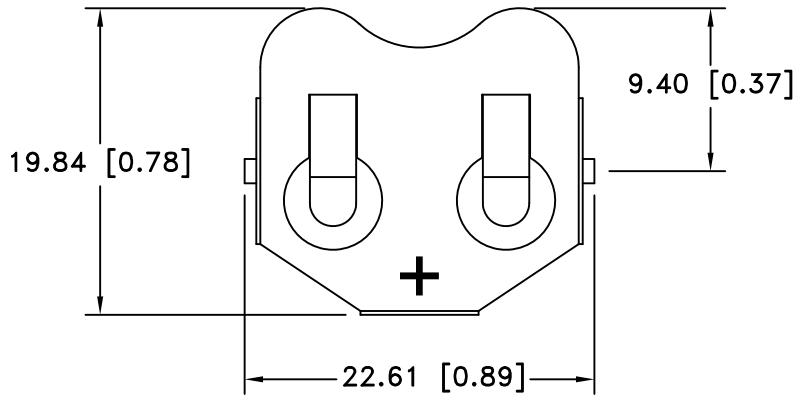



Date	SYM	REVISION RECORD	AUTH	DR.	CK.
04/16/05	A	1. REVISED DRAWING	T.B.	B.S.	
1/07/06	B	ADDED "ROHS COMPLIANT"	T.B.	B.S.	
07/13/12	C	MOVED THE PC PINS TO CENTER OF DIM. 9.42	T.B.	B.S.	



NOTES:

- MATERIAL:
0.25mm PHOSPHOR BRONZE, NICKLE PLTD.
- ROHS COMPLIANT

Tolerance (Except as noted)	 Memory Protection Devices, Inc 200 Broad Hollow Road, Farmingdale, New York 11735		
decimal ±.5 (.020)	Scale	Drawn By B.S.	
Fractional ± .8 (.030)	Title	Approved By T.B.	
Angular ± 3°	Date	COIN CELL RETAINER FOR 20mm DIA. BATTERIES	
	Drawing Number	07/13/12	
		BK-888	

CELL SIZE	RETAINS BATTERY NUMBERS
20mm	BR2016, CR2016, DL2016, BR2020, CL2020, BR2025, CR2025, DL2025, DR2032, CR2032, DL2032