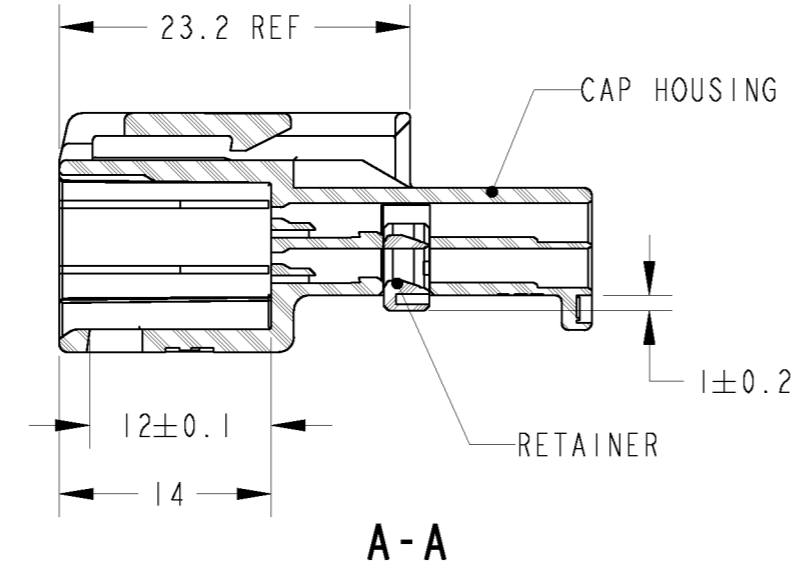
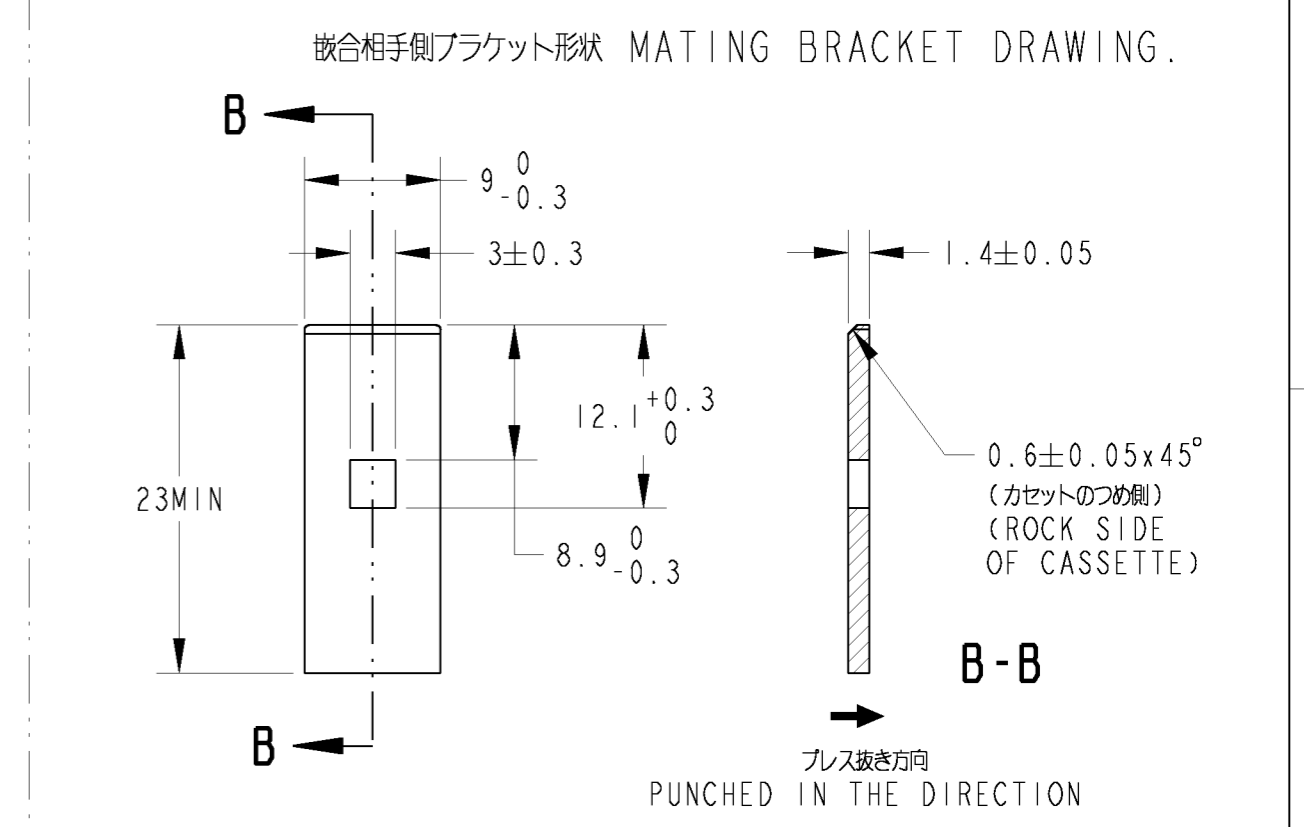
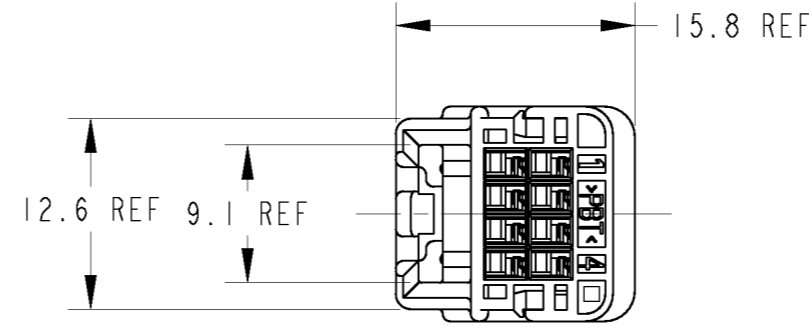
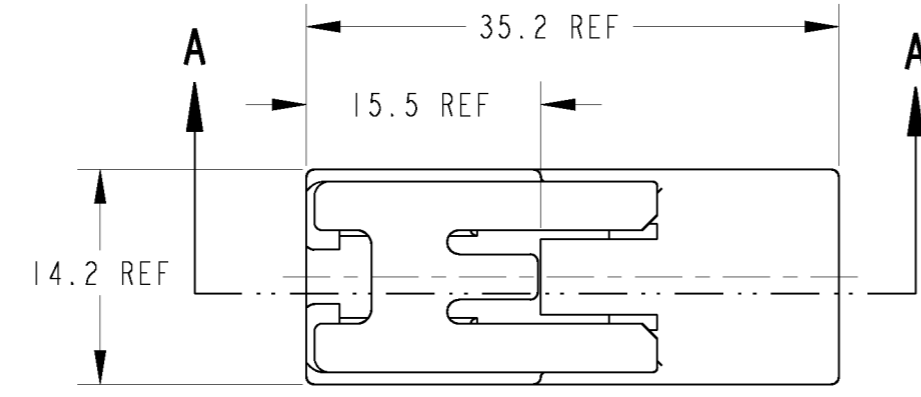
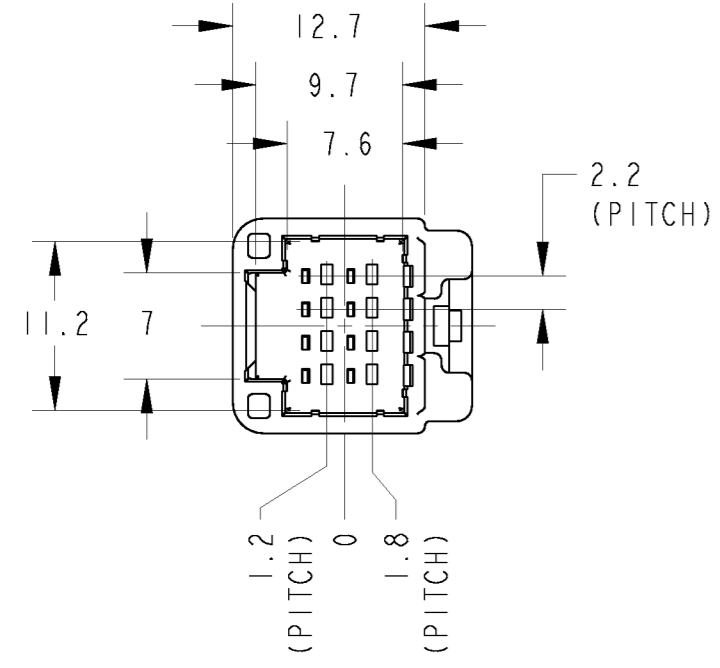
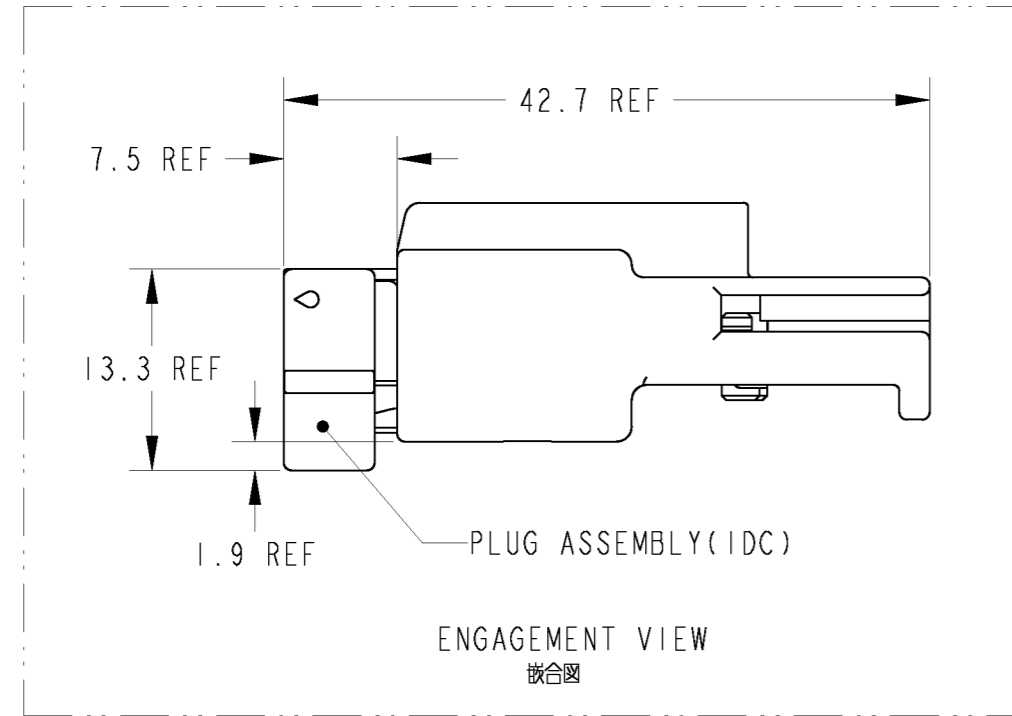


THIS DRAWING IS UNPUBLISHED. RELEASED FOR PUBLICATION 20  
 (C) COPYRIGHT 20 ALL RIGHTS RESERVED.

LOC	DIST	REVISIONS					
		P	LTR	DESCRIPTION	DATE	DWN	APVD
J	-	P		REVISED PER ECO-11-005140	09APR2011	RK	HMR



1. キャップハウジングにダブルロックプレートを取付して出荷される。
  2. 適用端子型番; 1376109, 1473818, 1565406
  3. 取扱説明書; 411-5996
  4. 嵌合相手型番; 1473800 & 1473802 (IDC) 1376352
1. PLATE SHOULD BE SET TO THE PRE-ASSEMBLY POSITION WITHIN THE CAP HOUSING WHEN SHIPPED TO THE CUSTOMER
  2. APPLIED TERMINAL; 1376109, 1473818, 1565406
  3. INSTRUCTION SHEET No; 411-5996
  4. PART NUMBER OF PLUG HOUSING TO BE MATED; 1473800 & 1473802 (IDC), 1376352



PAPER BOX ダンボール	PLASTIC BAG ビニール袋	NATURAL	1473793-1
OUTER 外装	INNER 内装	COLOR	PART NUMBER
PACKING STYLE 梱包形態			

THIS DRAWING IS A CONTROLLED DOCUMENT.

DWN S. AMEMIYA	16OCT01	 TE Connectivity <b>8 POSITION CAP ASSEMBLY</b> <b>025 IDC CONNECTOR</b>	NAME		
CHK N. SAI	16OCT01		SIZE	A2	
APVD N. SAI	16OCT01		CAGE CODE	00779	
PRODUCT SPEC 108-5660			DRAWING NO	C-1473793	
APPLIC. SPEC 114-5276, 114-5291		RESTRICTED TO			
MATERIAL PBT	SEE TABLE	WEIGHT	3.6	SCALE	2:1
		CUSTOMER DRAWING	SHEET	OF	REV