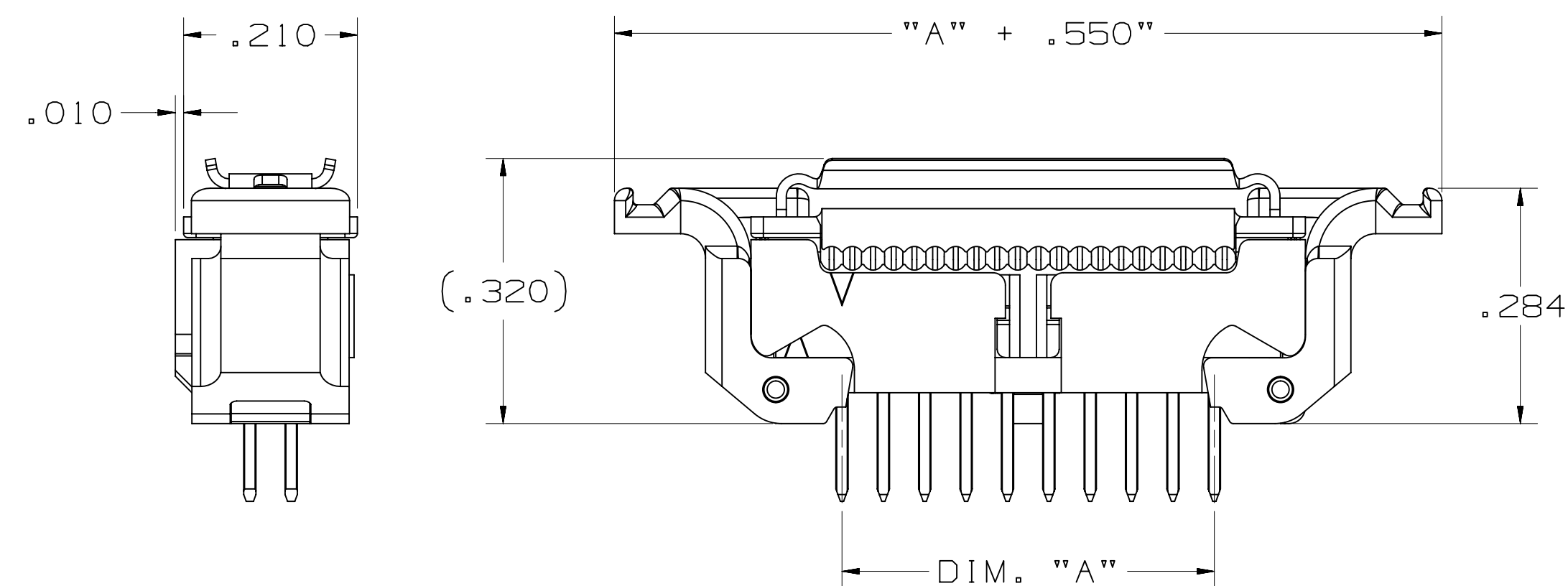
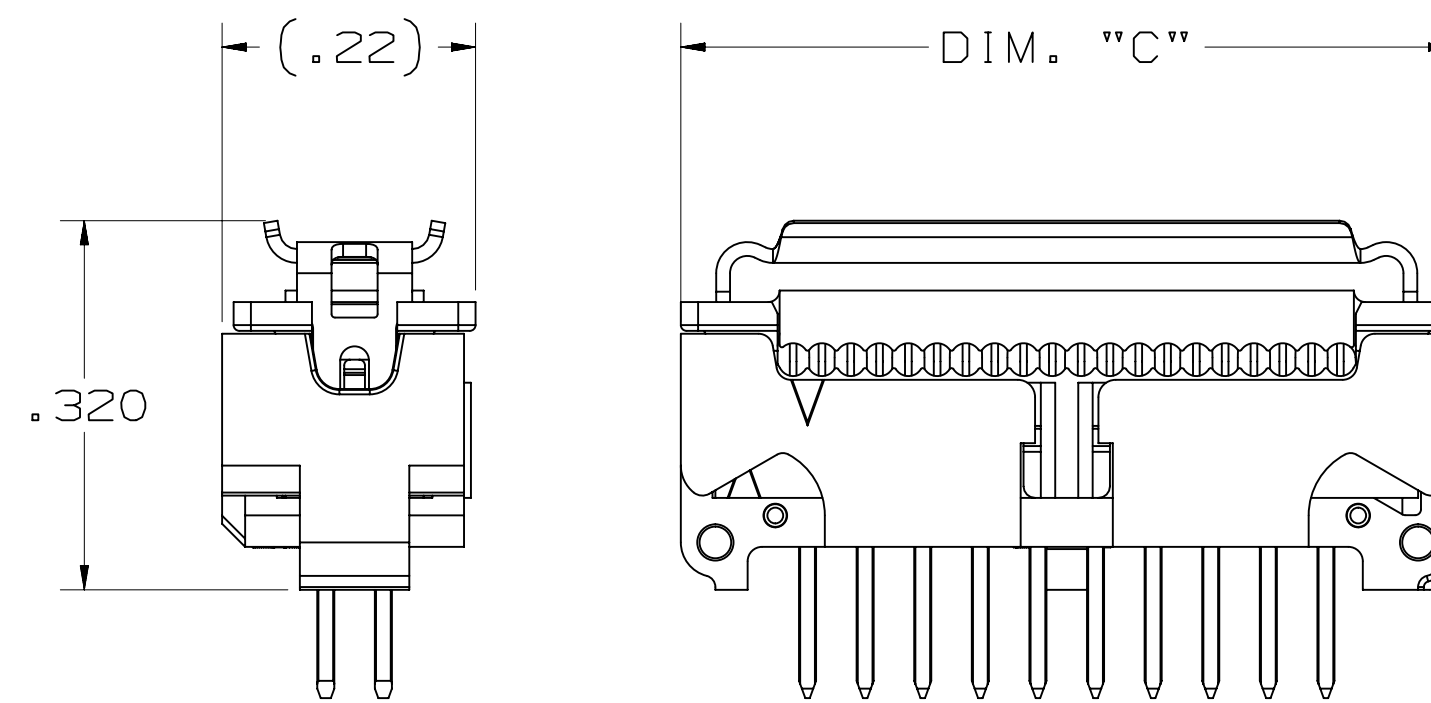


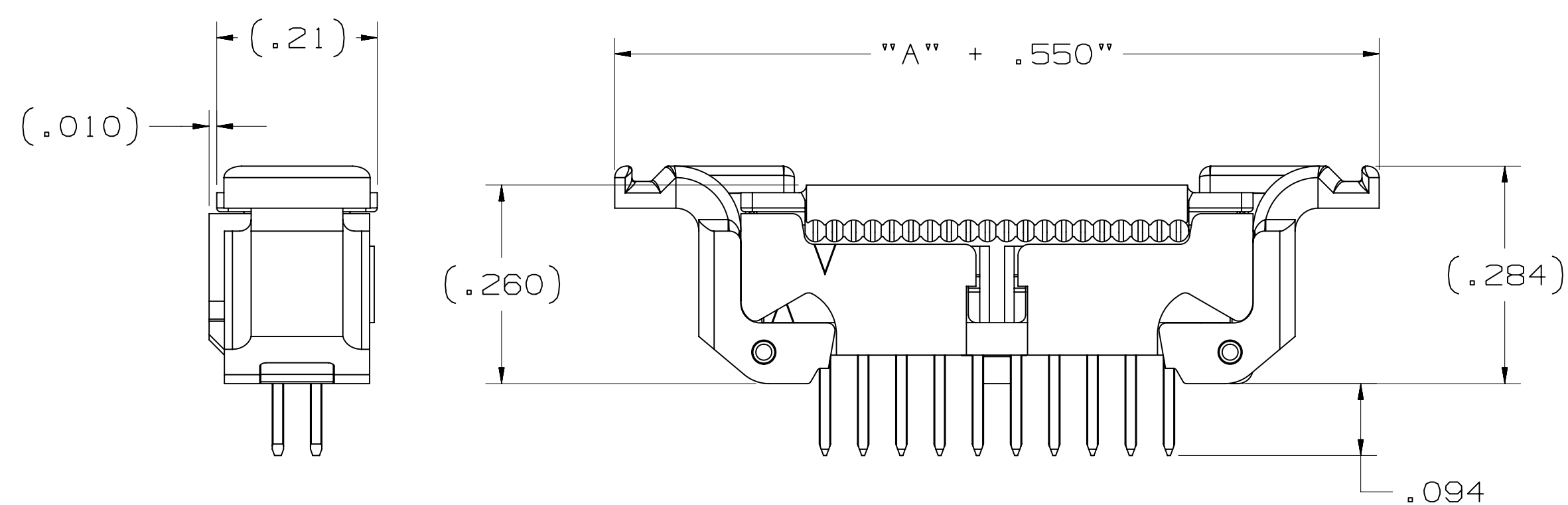
3M™ WIRE-TO-BOARD SYSTEM,
1.27mm (0.050"), MATED
450 SERIES, TS2396



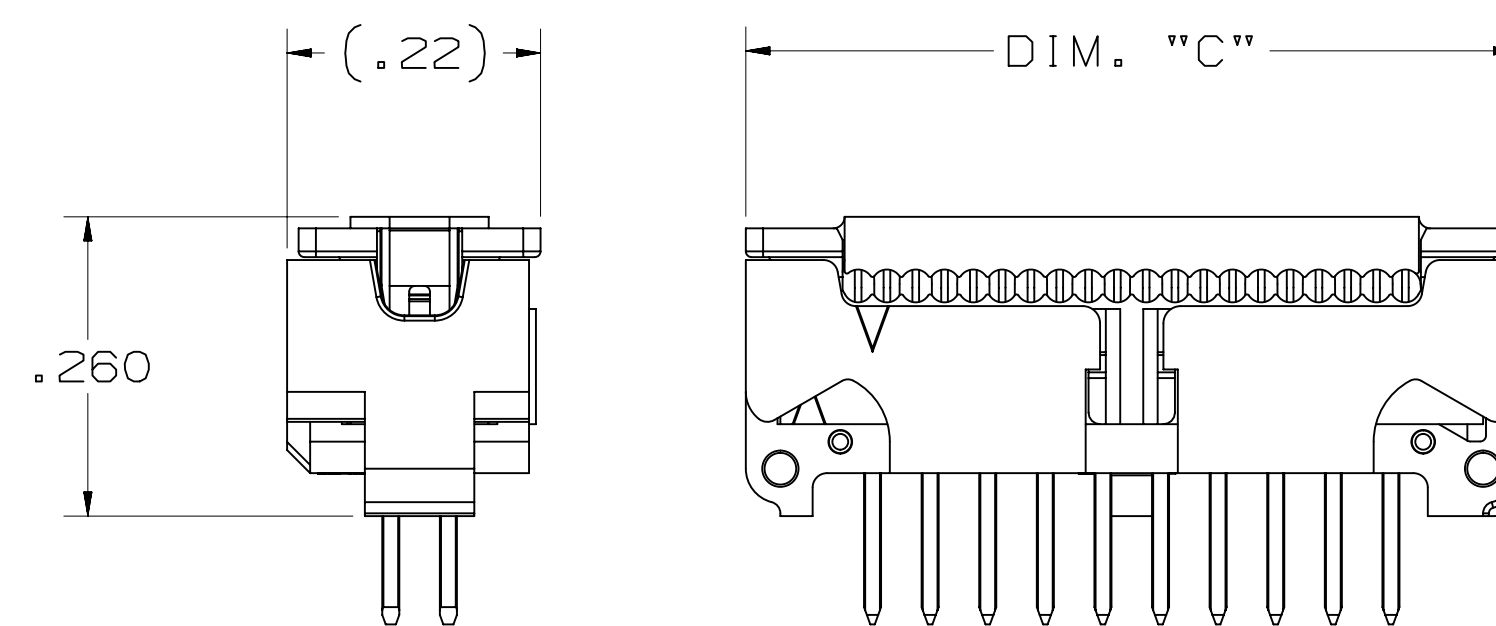
VERTICAL HEADER & SOCKET ASSEMBLY
WITH LOW PROFILE LATCHES & STRAIN RELIEF



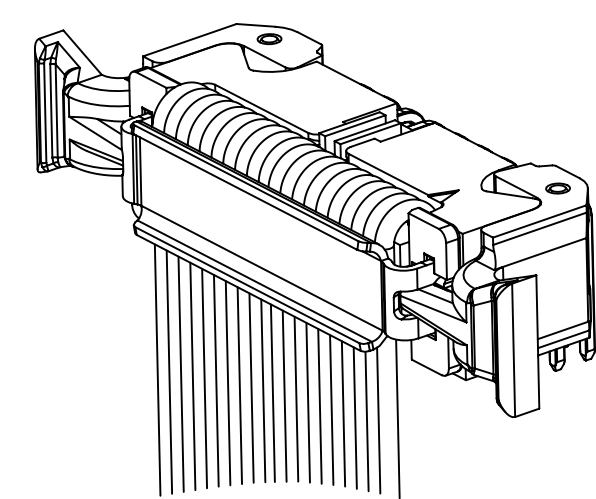
VERTICAL HEADER & SOCKET ASSEMBLY
NO LATCHES WITH STRAIN RELIEF



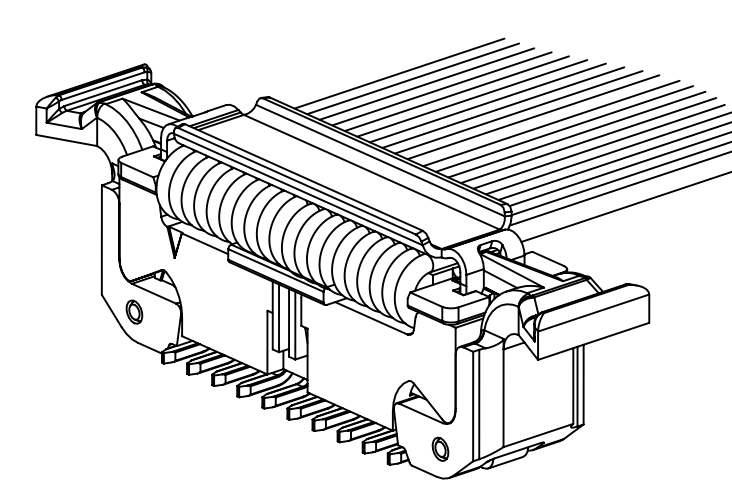
VERTICAL HEADER & SOCKET ASSEMBLY
WITH LATCHES NO STRAIN RELIEF



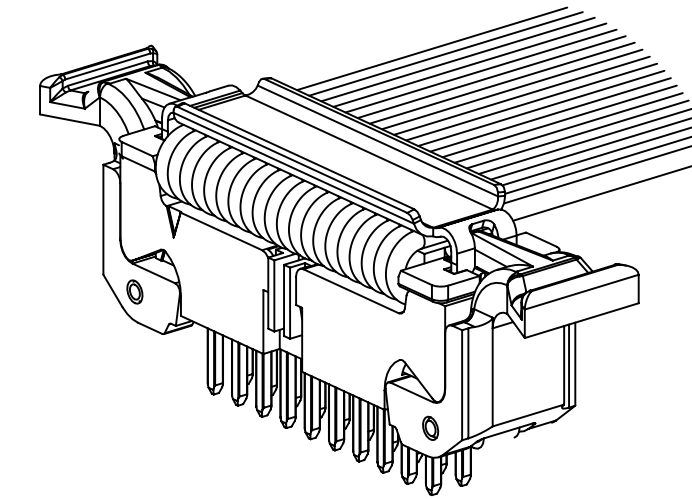
VERTICAL HEADER & SOCKET ASSEMBLY
NO LATCHES NO STRAIN RELIEF



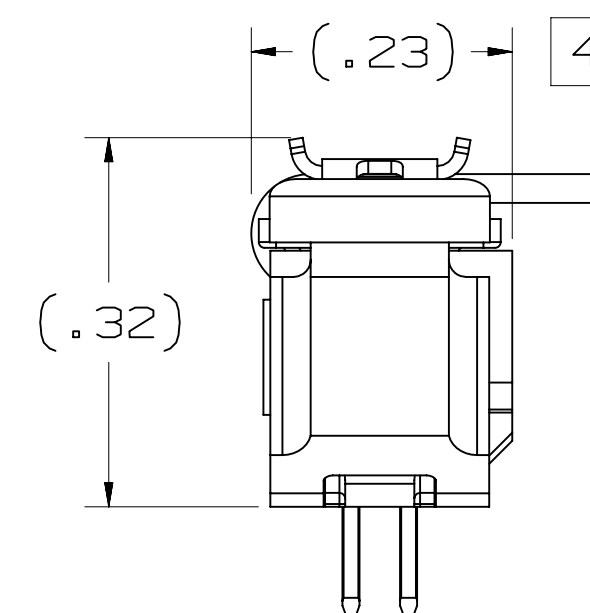
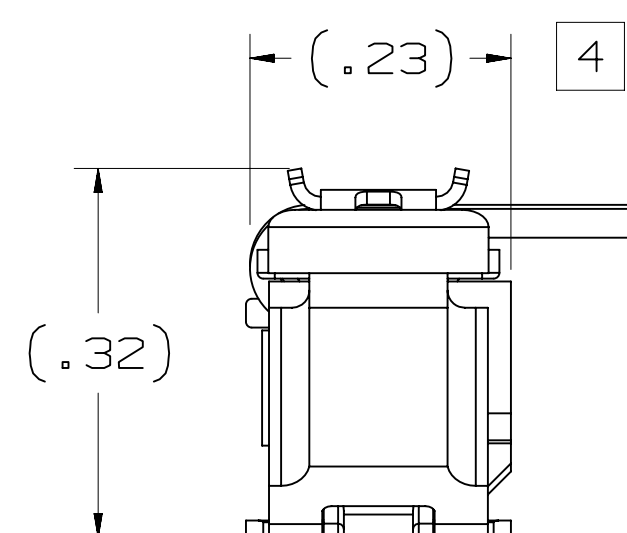
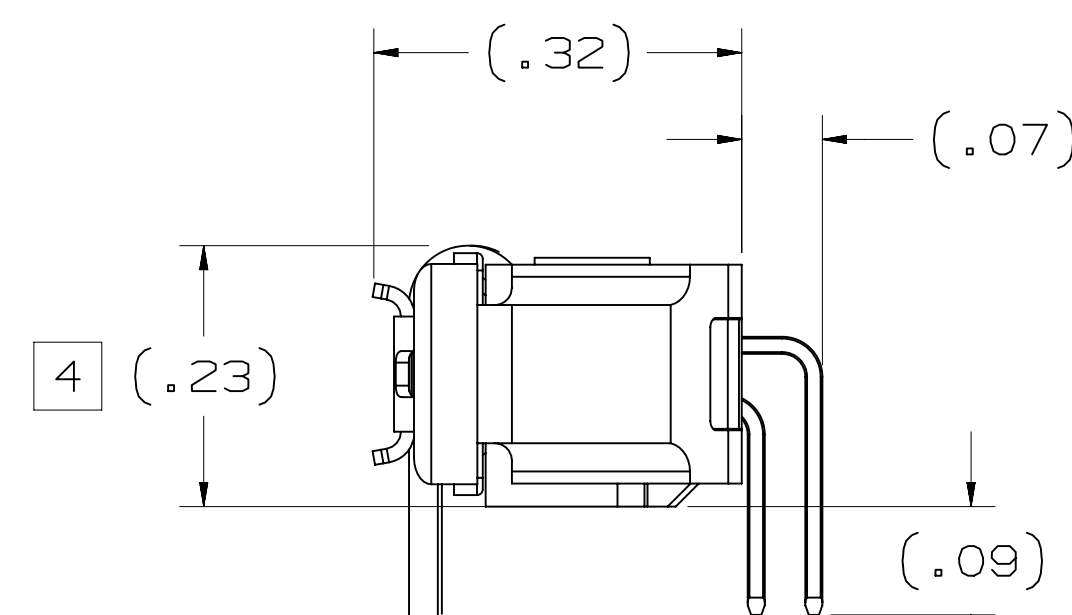
RA ASSEMBLY



SMT ASSEMBLY



VERTICAL ASSEMBLY



No. Positions	Dim "A"	Dim "C"
4	.050	.270
6	.100	.320
8	.150	.370
10	.200	.420
12	.250	.470
14	.300	.520
16	.350	.570
20	.450	.670
30	.700	.920

- NOTES
1. IN THE EVENT OF CONFLICT BETWEEN THIS DATA AND THAT CONTAINED IN THE PRODUCT SPECIFICATION, THE PRODUCT SPECIFICATION TAKES PRECEDENT.
 2. REGULATORY INFORMATION: ROHS COMPLIANT. SEE THE REGULATORY INFORMATION APPENDIX (RIA) IN THE "ROHS COMPLIANCE" SECTION OF WWW.3MCONNECTORS.COM FOR COMPLIANCE INFORMATION (RIA E1 & C1 APPLY)
 3. OTHER PIN COUNTS AVAILABLE UPON REQUEST. CONTACT 3M.
 4. DIMENSIONS IS TAKEN FROM EDGE OF CABLE TO SIDE OF CONNECTOR.

3M ELECTRONIC SOLUTIONS DIVISION
INTERCONNECT SOLUTIONS
<http://www.3mconnectors.com>

3M IS A TRADEMARK OF 3M COMPANY.
FOR TECHNICAL, SALES OR ORDERING
INFORMATION CALL 800-225-5373

78-5100-2437-1
78-5100-2436-3

DESIGN REFERENCE NEXT ASSEMBLY

REV: ECO: DATE: FEB 11, 2011

APPROV: S. NEU DATE: FEB 11, 2011

DO NOT SCALE DRAWING

THIRD ANGLE PROJECTION

MAX SURFACE ROUGHNESS

MARKED ONLY

C	51884	JAN 08, 2014	SJS	SAN
B	48635	JUL 12, 2013	JNC	SN
A	46797	MAR 25, 2013	JNC	SAN

REV: ECO: DATE: FEB 11, 2011

APPROV: S. NEU DATE: FEB 11, 2011

DO NOT SCALE DRAWING

THIRD ANGLE PROJECTION

MAX SURFACE ROUGHNESS

MARKED ONLY

© 3M COPYRIGHT 2013
This document and the information it contains are 3M property and may not be reproduced or further distributed without 3M permission, or used or disclosed other than for 3M authorized purposes. All rights reserved.

3M 3M Center St. Paul, MN 55144

TITLE: CONNECTOR SYSTEM, .05 X .05, MATED DIMENSIONS

CAGE NUMBER: D78-5100-2396-9

REV. C

MODEL: 452

ISS: YES NO SHT 1 OF 1