

THIS DRAWING IS UNPUBLISHED. RELEASED FOR PUBLICATION 20
 © COPYRIGHT 20 BY TYCO ELECTRONICS CORPORATION. ALL RIGHTS RESERVED.

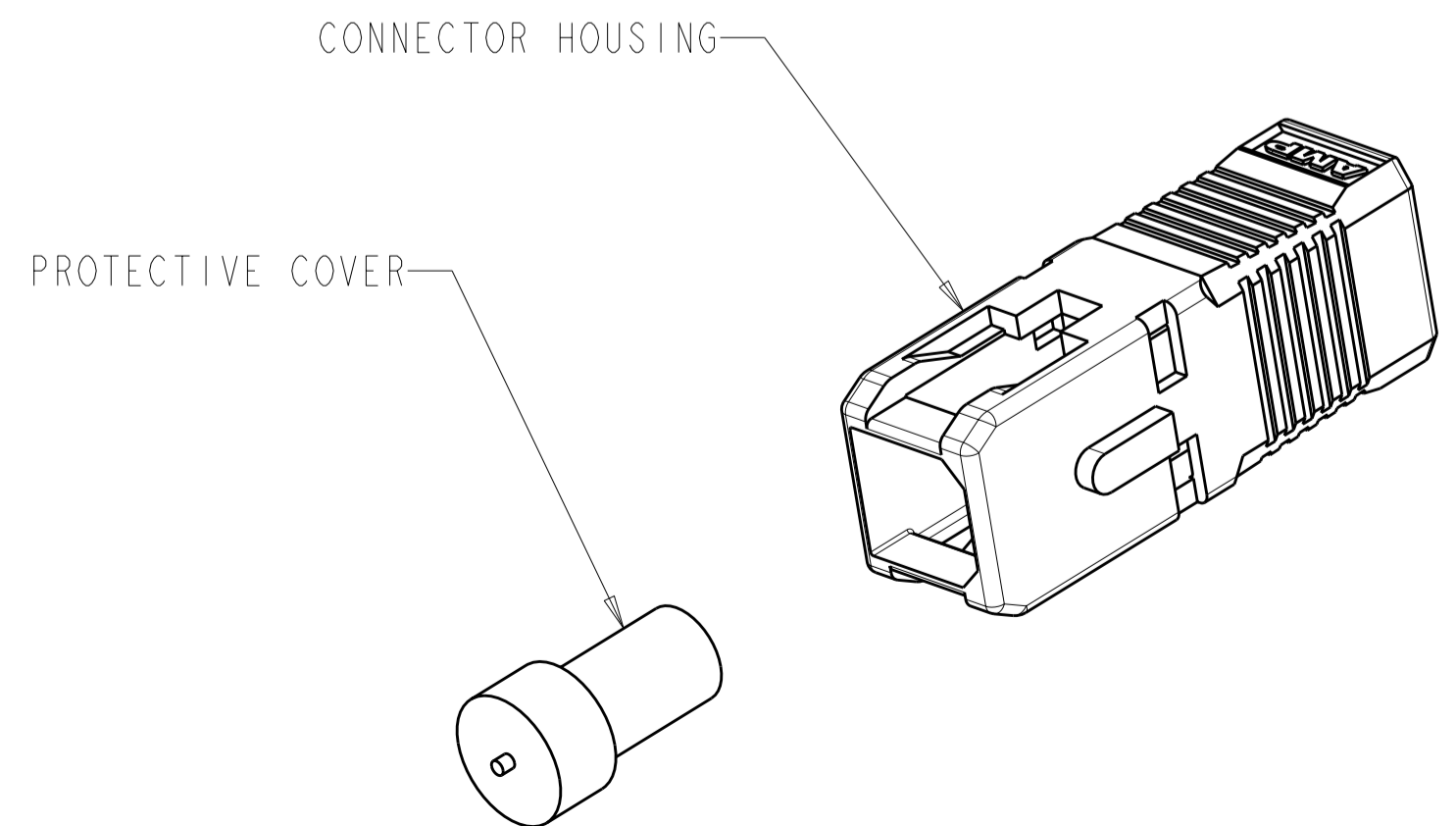
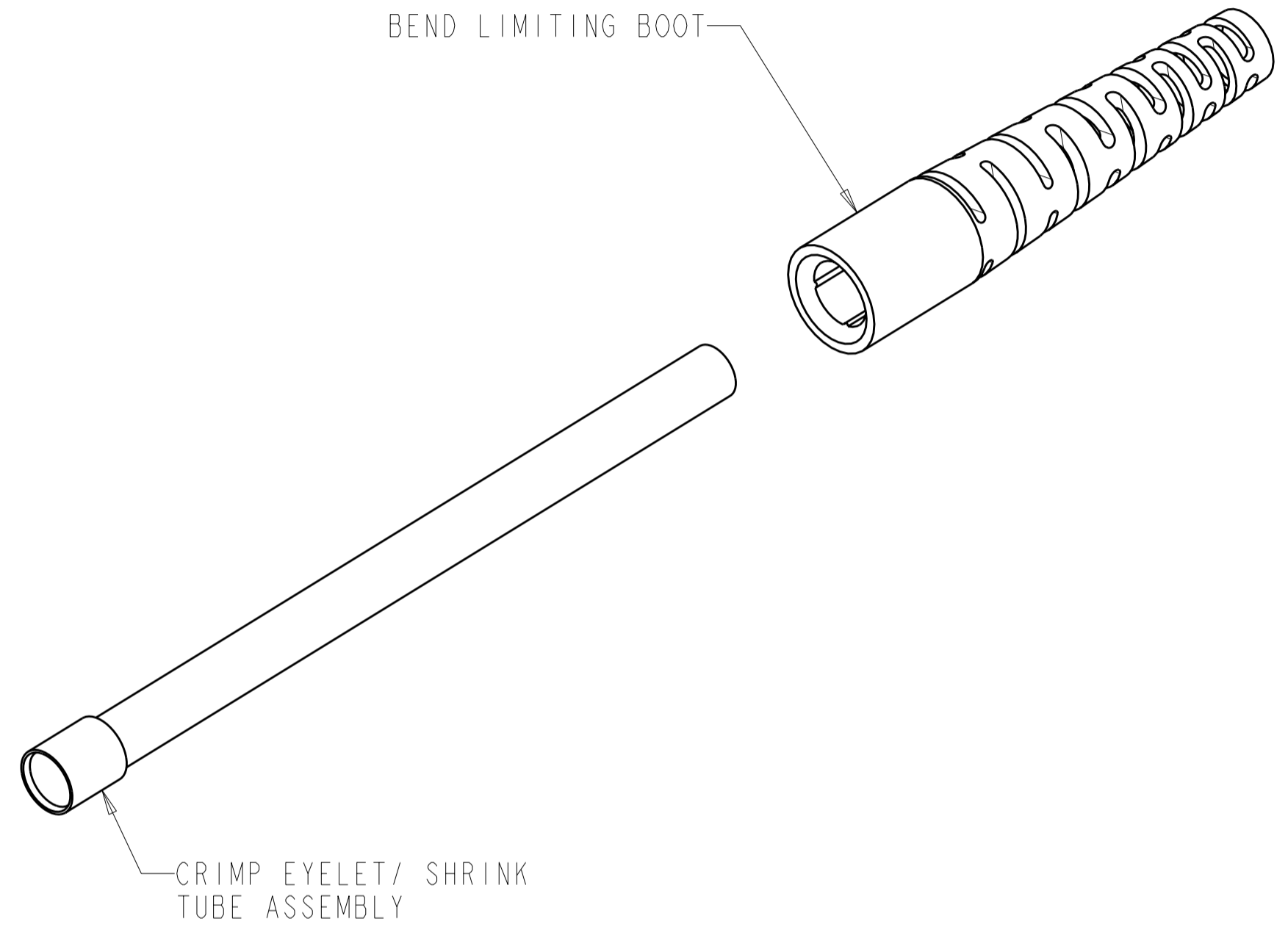
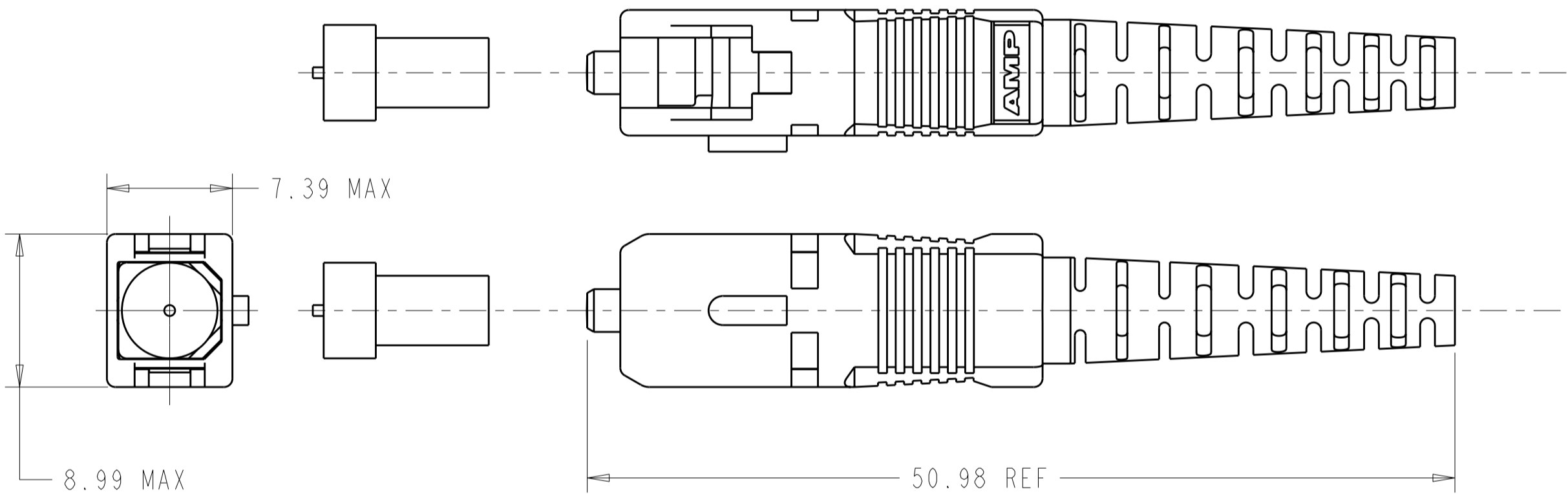
LOC		DIST		REVISIONS			
P	LTR	DESCRIPTION	DATE	DWN	APVD		
	A	RELEASE TO ACTIVE	08JUN2006	BB	SM		
	AI	ADD NOTE 6.	12MAY2009	KG	SB		

1 MATERIAL:
 PROTECTIVE COVER: LDPE, COLOR: BLACK, NON-FR.
 CONNECTOR HOUSING: PBT-GF17, COLOR: BLUE.*
 CONNECTOR SUBASSEMBLY:
 PLUG BODY: PES-GF20, COLOR: BEIGE.*
 FERRULE ASSEMBLY: CERAMIC / PBT-GF17 COLOR: BLUE.*
 EPOXY - FILL TUBING: PVC, COLOR: CLEAR, UL VW-1 RATED.
 SPRING: STAINLESS STEEL.
 RETAINER BODY: ALUMINUM.
 CRIMP EYELET/SHRINK TUBE ASSEMBLY: ALUMINUM/POLYOLEFIN,
 COLOR: YELLOW/BLACK (2.4mm), UL VW-1 RATED.
 BEND LIMITING BOOT: PP, COLOR: BLUE.*
 *UL94 V-0 RATED AT QUALIFYING THICKNESS.

4. TO BE USED WITH "LOOSE-JACKETED" CABLE.
 5. CONTAINS NO BOOTS OR EYELETS.
 6. INSTRUCTION SHEET 408-8674 AVAILABLE FOR DOWNLOAD
 AT www.tycoelectronics.com/documents OR
www.ampnetconnect.com/foguide.

2 FINISH:
 RETAINER BODY: CLEAR ANODIZE.
 CRIMP EYELET: CLEAR ANODIZE.

3 BULK PACKAGE.



3	2.4mm	6588714-6
	2.4mm	6588714-5
3	1.6mm-2.0mm	6588714-4
5/3	1.6mm-2.0mm	6588714-3
	1.6mm-2.0mm	6588714-1
	CABLE SIZE	PART NUMBER

DIMENSIONS:		TOLERANCES UNLESS OTHERWISE SPECIFIED:		DWN		Tyco Electronics	
mm		0 PLC	±	B. BRIGGS	06JAN2006	Tyco Electronics Harrisburg, PA 17105-3608	
		1 PLC	±	CHK	06JAN2006	NAME	
		2 PLC	±	S. MILLER	06JAN2006	FOKIT SC SM SIMPLEX, 1.6mm - 2.4mm CABLE	
		3 PLC	±	APVD	06JAN2006	SIZE	CAGE CODE
		4 PLC	±	S. BUCHTER		A2	00779
		ANGLES	±	PRODUCT SPEC		DRAWING NO	RESTRICTED TO
		FINISH		APPLICATION SPEC		6588714	-
				WEIGHT		SCALE	SHEET
						NTS	OF
							REV
							AI