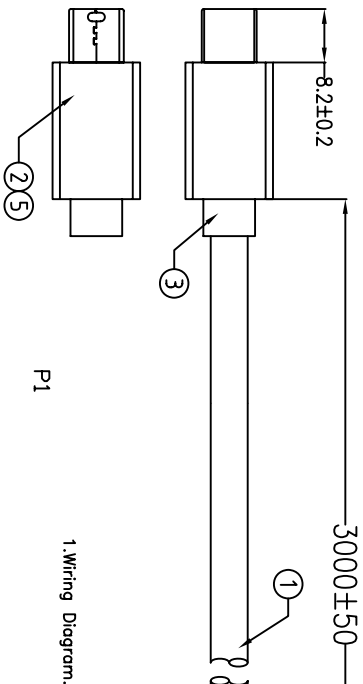
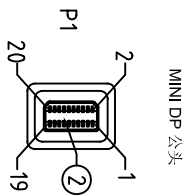


CUSTOMER APPROVED:

DATE:



Pin	Signal	Pin	Signal
1	[ML_Lane 0(p)]	1	TMDS data2-
2	[ML_Lane 0(n)]	2	TMDS data2+
3	[GND]	3	TMDS data1-
4	[ML_Lane 1(p)]	4	TMDS data1+
5	[ML_Lane 1(n)]	5	TMDS data0-
6	[GND]	6	TMDS data0+
7	[ML_Lane 2(p)]	7	TMDS data0 Shield
8	[GND]	8	TMDS data0+ Shield
9	[ML_Lane 2(n)]	9	TMDS Clock-
10	[ML_Lane 3(p)]	10	TMDS Clock+
11	[ML_Lane 3(n)]	11	TMDS Clock Shield
12	[GND]	12	TMDS Clock+ Shield
13	[CONFIG 1]	13	DDC Clock
14	[CONFIG 2]	14	DDC Data
15	[AUX_CH(p)]	15	(Ground)
16	[AUX_CH(n)]	16	+5V Power
17	[GND]	17	Hot Plug Detect
18	[Hot Plug Detect]	18	Return DP_PWR
19	[Return DP_PWR]	19	NC
20	[NC]	20	

SHELL _____ SHELL

NO.	PART NO.	DESCRIPTION	QTY	UNIT/REF
5	PE	PE INSERMOLDING	10g	
4	CONN	DVI24+1 MALE INSULATION WHITE NICKEL PIN G/F W/WHITE COVER W/PCB+IC W/THUMB SCREWS	1SET	P2
3	PVC	45P PVC WHITE OVERMOLD	30g	
2	CONN	MINIDP20 MALE INSULATION WHITE NICKEL PIN G/F W/WHITE HOOD	1SET	P1
1	CABLE	UL20276 (32AWG*1P+DW+AL/MY)*5+32AWG*5 C+A+D+B(16/6/0.1AAM) ODS.5 WHITE	1	3000MM

A		20150414		INITIAL RELEASE		2015/04/14	
REV/ECN#				DESCRIPTION		DATE	
Cnc Tech, LLC				TITLE		MINI DP/M TO DVI24+1/M CONNECTOR WITH P2.0M	
DRAWN		EDWIN LAI		DATE		04/14/15	
CHECKED				CUSTOMER P/N:		743-60011-00300	
APPROVAL				CUSTOMER:			
		SHEET 1 OF 1		REV		A	

BILL OF MATERIAL