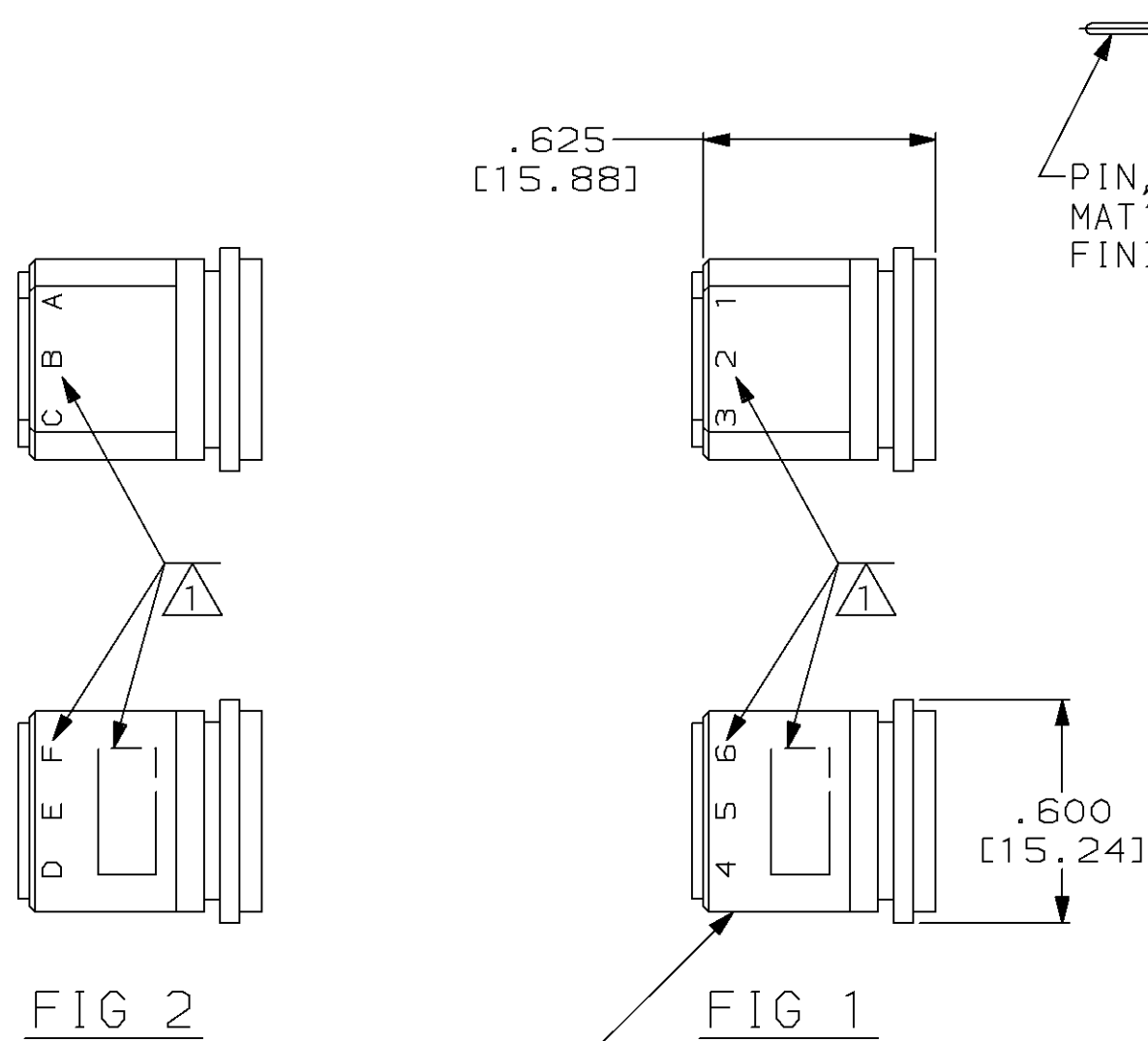


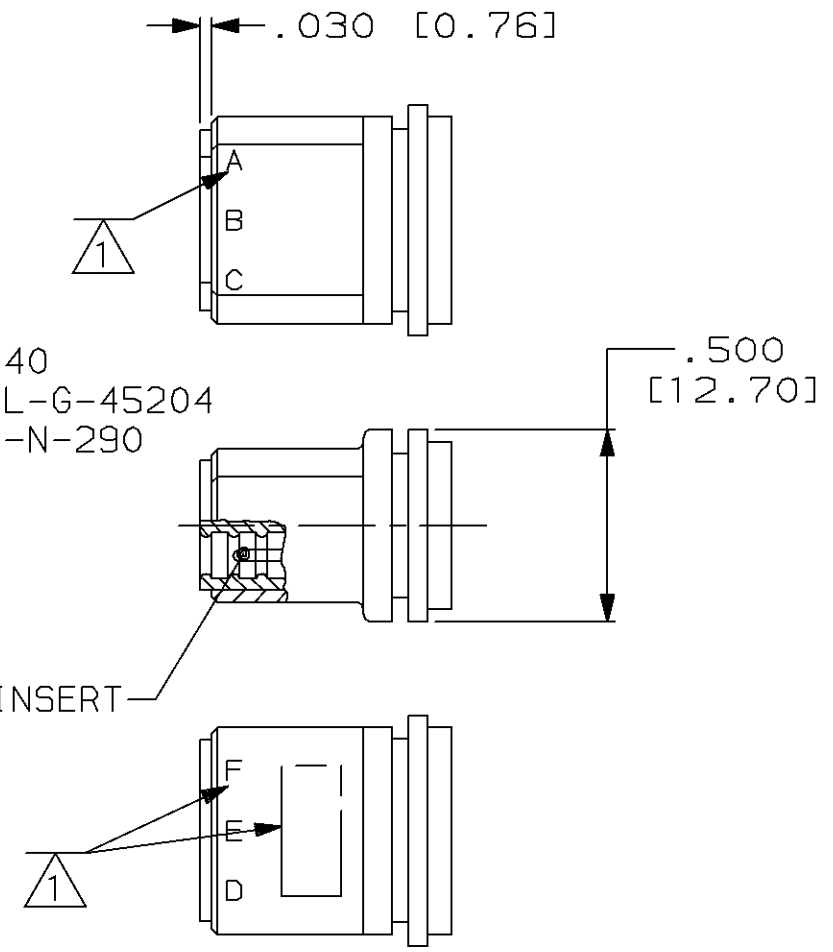
THIS DRAWING IS UNPUBLISHED. RELEASED FOR PUBLICATION, 19
 © COPYRIGHT 19 BY AMP INCORPORATED. ALL INTERNATIONAL RIGHTS RESERVED.

PROD	LOC	DIST	P	F	ZONE	LTR	DESCRIPTION	DATE	APPD
4081	DF	SO		✓		E	REV & REDRAWN PER DF-5994 CT	1-93	DE

PART NO.	MARKING	
862584-1	FIG 1	
862584-2	FIG 2	OBSOLETE
862584-3	FIG 3	



PIN, 6 PLC
 MAT'L: BRONZE PER ASTM-B-140
 FINISH: GOLD PLATED PER MIL-G-45204
 OVER NICKEL PER QQ-N-290



SILICONE MOLDED INSERT

HOUSING
 MAT'L: THERMOPLASTIC, GLASS
 FILLED POLYESTER
 COLOR: BLACK

1 AMP INFO & CAVITY LETTERS MARKED
 PER MIL-STD-130.

THIS DRAWING IS A CONTROLLED DOCUMENT FOR
 AMP INCORPORATED. IT IS SUBJECT TO CHANGE
 AND THE CONTROLLING ENGINEERING ORGANIZATION
 SHOULD BE CONTACTED FOR THE LATEST REVISION.

DO NOT SCALE PRINT. UNLESS SPECIFIED DIMENSIONS IN INCHES [mm] TOLERANCES ON: 2 PLC DEC ± - 3 PLC DEC ± .005 [0.13] ANGLES ± -	DR 12-7-92 C.C.THOMAS
MATERIAL SEE CALLOUTS	CHK 1-11-93 D.EABY
FINISH SEE CALLOUTS	APPD 1-11-93 D.EABY
	APPD 1-11-93 C.C.THOMAS
	PRODUCT SPEC -
	APPLICATION SPEC -
	WEIGHT -

AMP AMP Incorporated Harrisburg, PA 17105-3608		
NAME 6 PIN SUBMINIATURE PLUG KIT, LGH		
SIZE B	CAGE CODE 00779	DRAWING NO C-862584
SCALE 2:1	SHEET 1 OF 1	