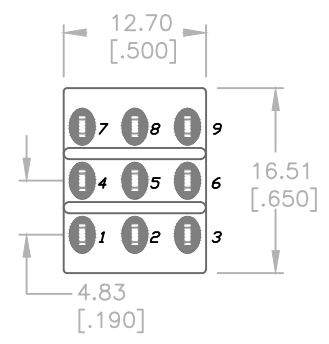
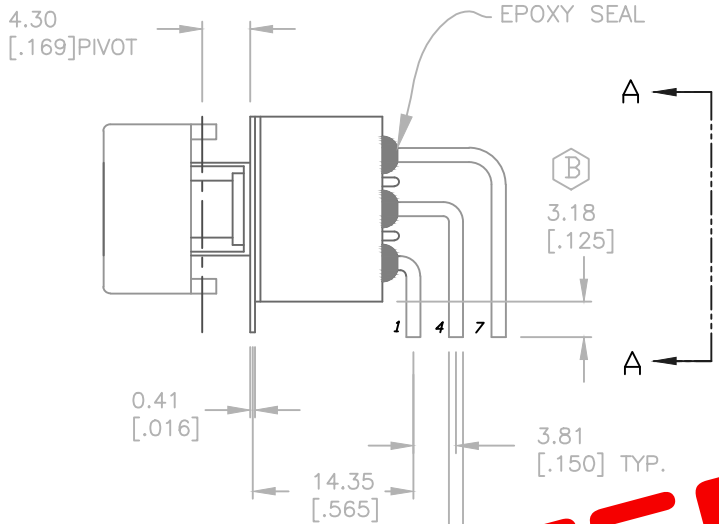


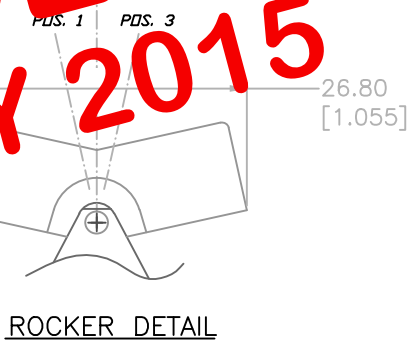
CIRCUIT: 3PDT

SWITCH FUNCTION		
POS. 1	POS. 2	POS. 3
DN	NONE	DN
2-3,5-6,8-9	OPEN	2-1,5-4,8-7

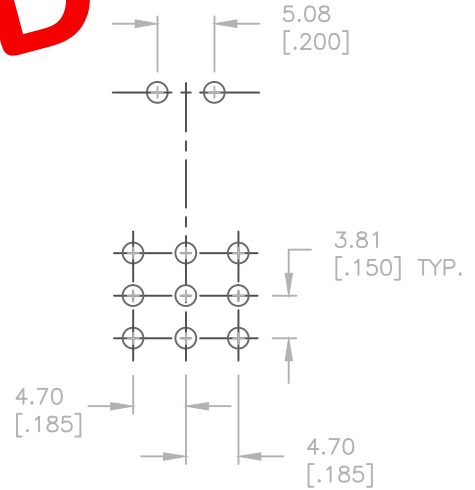


SECTION A-A

OBSOLETE
MAY 2015



ROCKER DETAIL



- NOTES:
- ALL DIMENSIONS IN MM [INCH]
 - GENERAL TOLERANCE: X.X=±0.4;
X.XX=±0.25
 - TERM. NOS. FOR REF. ONLY
 - CONTACT RATING: 5A @120VAC or 28VDC;
2A @250VAC
 - FIXED TERM/MOVING CONTACT:
COPPER ALLOY W/SILVER PLATE.
 - ELECTRICAL LIFE:
50,000 make-and-break cycles at full load.
 - INSULATION RESISTANCE: 1,000M ohm min.
 - DIELECTRIC STRENGTH: 1,000 V RMS @sea level
 - OPERATION TEMP.: -30°C to +85°C

P:\ESEEngineering\STANDARDS\BORDERS\E-Switch Leds LOGO FINAL 031109.dwg

B	18507	ADD DIMENSION FOR TERMINAL LENGTH	4/29/09	BLR	TITLE	300 3P1 J3 RED M6 QE			
A	12287	RELEASED FOR PRODUCTION	7/17/02	CJB					
REV.	ECN No.	DESCRIPTION	DATE	CHKD	SCALE	DATE	DR	DWG	REV
					1.5:1	4/29/09	BLR	T331026	B

THE INFORMATION CONTAINED IN THIS DOCUMENT IS PROPRIETARY TO E-SWITCH AND IS NOT TO BE COPIED OR TRANSFERRED