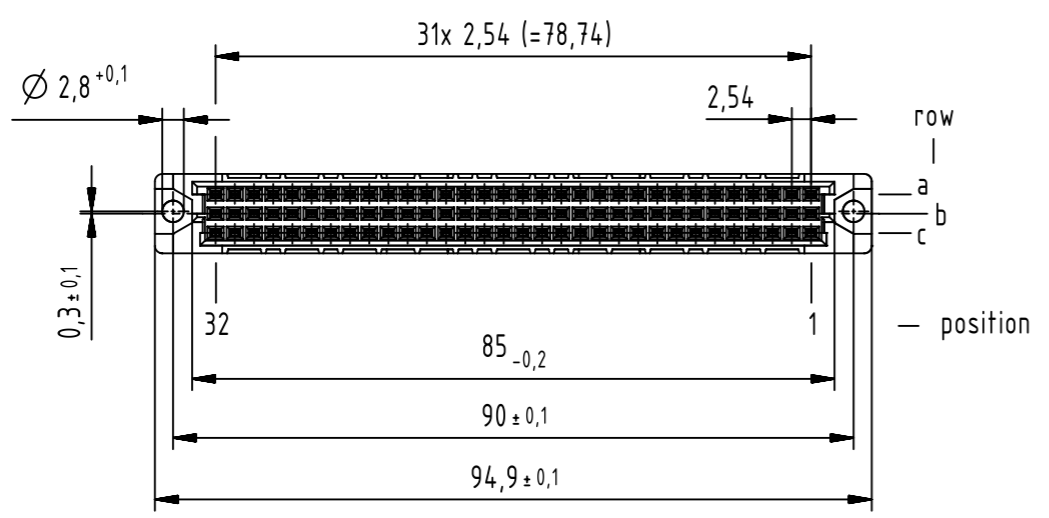
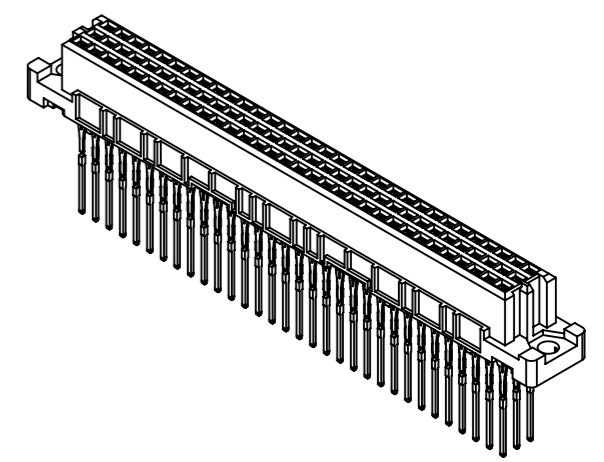
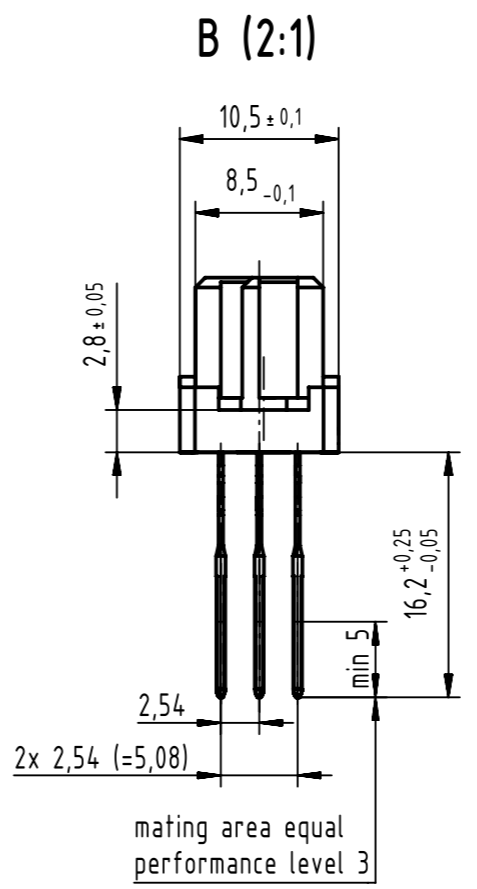
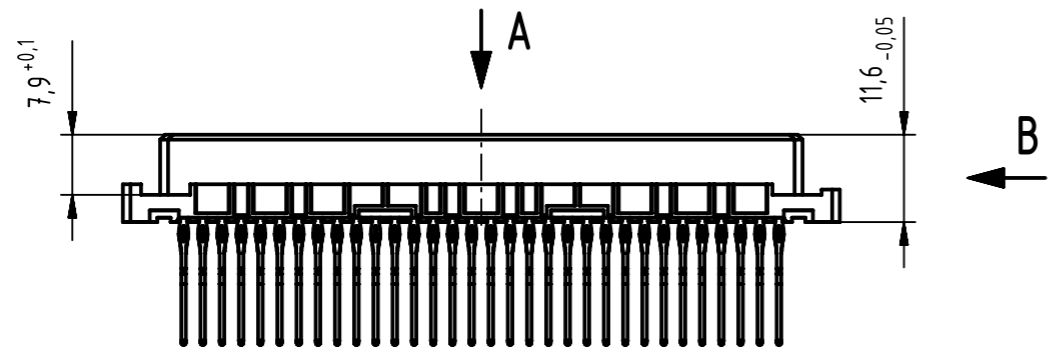
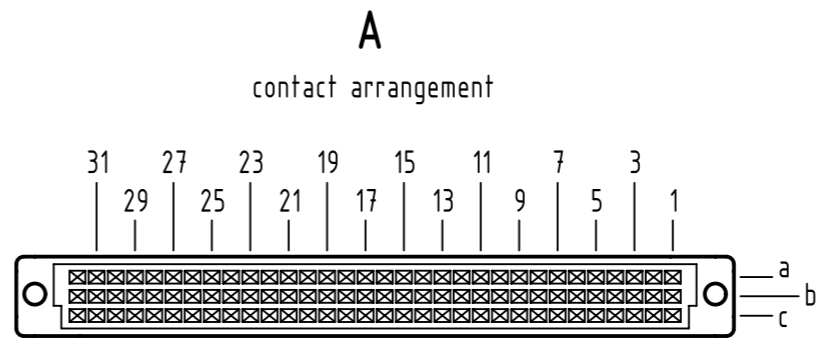
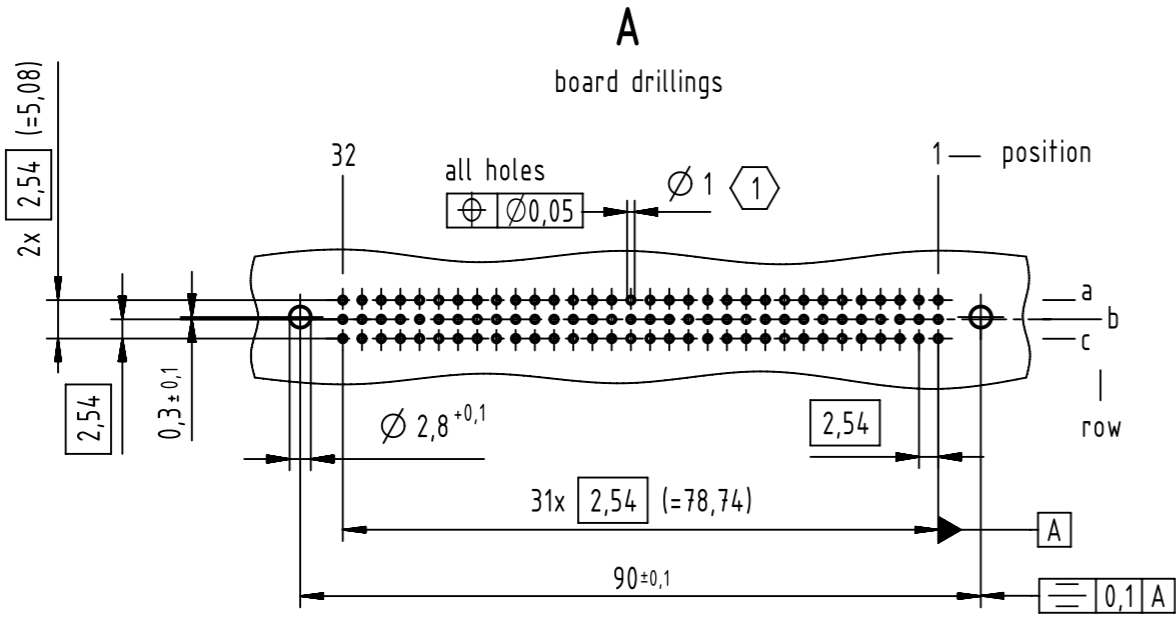


1 2 3 4 5 6 7 8

A  
B  
C  
D  
E  
F



$\text{\textcircled{1}}$  recommended configuration of plated through holes and further information see: DS 09032100001

09 03 296 6411	2
part-no	performance level $\text{\textcircled{1}}$

	All rights reserved	Created by	Inspected by	Standardisation	Date	State
	Department EC PD - DE	STORCK	LEHNERT	KOHLER	2016-05-20	Final Release
HARTING Electronics GmbH D-32339 Espelkamp		Title DIN Signal type C female press-in 16.2 96-pole			Doc-Key / ECM-Nr. 100072194/UGD/065/D 500000104358	
		Type	Number	Rev.	Page	
		TB	0903296X411	D	1/1	

1 2 3 4 5 6 7 8