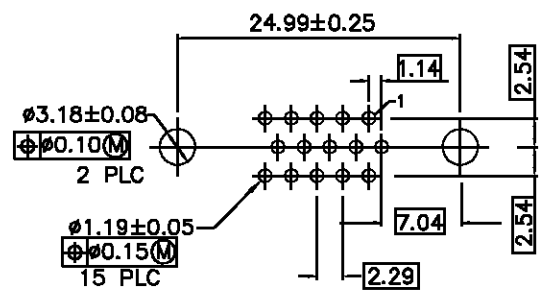
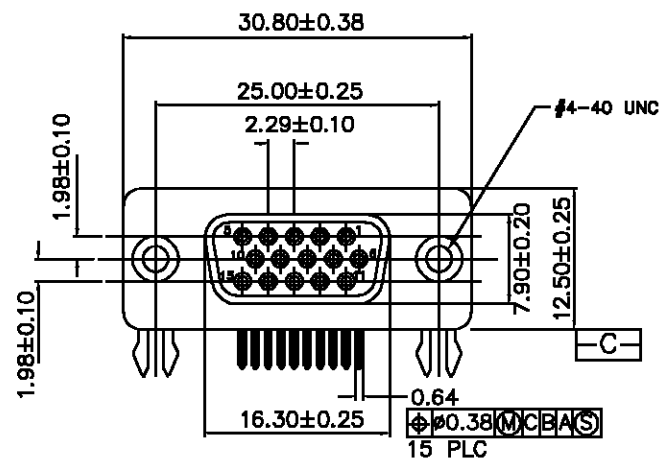


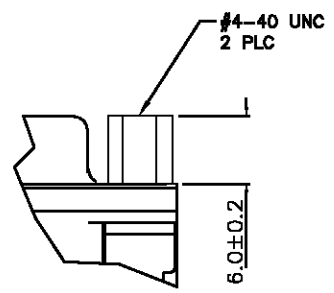
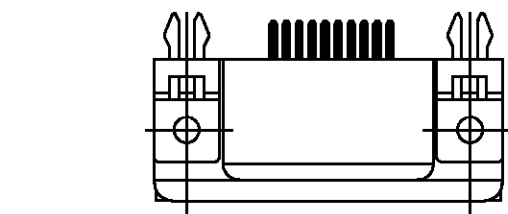
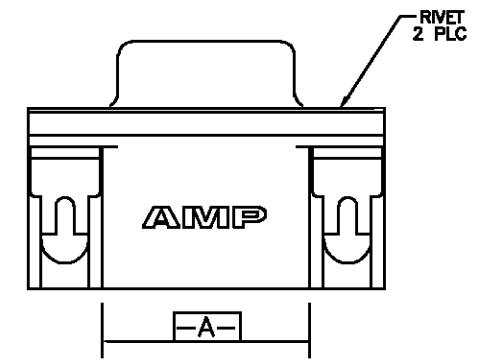
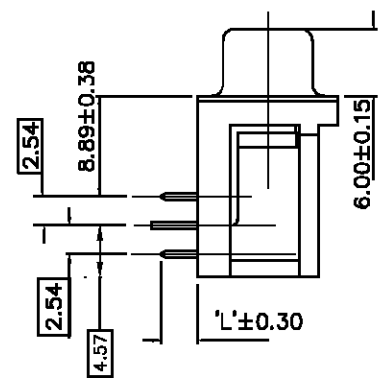
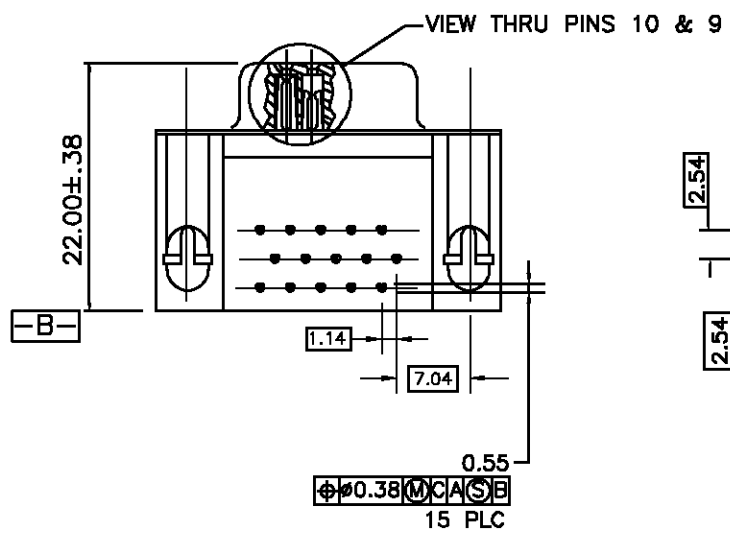
THIS DRAWING IS UNPUBLISHED. RELEASED FOR PUBLICATION  
 © COPYRIGHT 19 BY AMP INCORPORATED. ALL RIGHTS RESERVED.

LOC	DIST	REVISIONS					
		P	LTR	DESCRIPTION	DATE	DWN	APVD
DW	0	G		REVISED, FZ00-0037-03	10FEB03	AW	JC



RECOMMENDED P.C. BOARD LAYOUT

- 1. HOUSING: THERMOPLASTIC, UL 94V-0 RATED, SEE TABLE FOR COLOR.  
CONTACTS: PHOPHOR BRONZE OR BRASS.  
SHELL: LOW CARBON STEEL.  
BOARDLOCKS: BRASS.  
RIVET: BRASS.
- 2. CONTACTS: GOLD FLASH ON MATING END OVER 1.27 MICRO METERS MIN NICKEL, 2.54 MICRO METERS MIN TIN-LEAD ON SOLDER TAILS OVER 1.27 MICRO METERS MIN NICKEL.  
SHELL: NICKEL.  
BOARDLOCK: TIN OR TIN-LEAD OVER NICKEL UNDERPLATE.
- 3. SPECIFICATIONS:  
CURRENT RATING: 2 AMPS.  
VOLTAGE RATING: 250 VAC.  
DIELECTRIC WHITHSTANDING VOLTAGE: 1000 VAC(RMS)  
INSULATION RESISTANCE: 1000 MEGOHMS MIN.  
CONTACT RESISTANCE: 20 MILLIOHMS MAX.  
OPERATING TEMPERATURE: -55° TO 130°C.
- 4. SPECIFICATIONS SUBJECT TO CHANGE WITHOUT NOTICE.  
CONTACT AMP FOR THE LATEST SPECIFICATIONS.
- 5. CONTACTS: 0.25 MICRO METERS GOLD ON MATING END OVER 1.27 MICRO METERS MIN NICKEL, 2.54 MICRO METERS MIN TIN-LEAD ON SOLDER TAILS OVER 1.27 MICRO METERS MIN NICKEL.  
SHELL: NICKEL.  
BOARDLOCK: TIN OR TIN-LEAD OVER NICKEL UNDERPLATE.
- 6. CONTACTS: 0.381 MICRO METERS GOLD ON MATING END OVER 1.27 MICRO METERS MIN NICKEL, 2.54 MICRO METERS MIN TIN-LEAD ON SOLDER TAILS OVER 1.27 MICRO METERS MIN NICKEL.  
SHELL: NICKEL.  
BOARDLOCK: TIN OR TIN-LEAD OVER NICKEL UNDERPLATE.
- 7. CONTACTS: 0.762 MICRO METERS GOLD ON MATING END OVER 1.27 MICRO METERS MIN NICKEL, 2.54 MICRO METERS MIN TIN-LEAD ON SOLDER TAILS OVER 1.27 MICRO METERS MIN NICKEL.  
SHELL: NICKEL.  
BOARDLOCK: TIN OR TIN-LEAD OVER NICKEL UNDERPLATE.



DETAIL Z (W/SCREWLOCKS OPTION)

300U BLUE	3.70	TRAY	7	RIVET, THREADED W/O SCREW	2-788624-4
300U BLUE	3.20	TRAY	7	RIVET, THREADED W/O SCREW	2-788624-3
661C BLUE	2.67	TRAY	7	RIVET, THREADED W/O SCREW	2-788624-2
661C BLUE	2.67	TRAY	2	W/FEMALE SCREWLOCKS (DETAIL Z)	1-788624-2
300U BLUE	3.20	TRAY	2	W/FEMALE SCREWLOCKS (DETAIL Z)	1-788624-1
BLACK	2.67	TUBE	6	W/FEMALE SCREWLOCKS (DETAIL Z)	788624-5
300U BLUE	3.20	TUBE	5	RIVET, THREADED W/O SCREW	788624-4
300U BLUE	3.20	TRAY	5	RIVET, THREADED W/O SCREW	788624-3
661C BLUE	2.67	TRAY	2	RIVET, THREADED W/O SCREW	788624-2
300U BLUE	3.20	TRAY	2	RIVET, THREADED W/O SCREW	788624-1
PANTONE COLOR	'L'	PACKAGING	FINISH	FASTENER OPTION	PART NO.

THIS DRAWING IS A CONTROLLED DOCUMENT.

DWN	A. WU	12MAR02	AMP Incorporated IPO RECEPTACLE ASM, SZ 1, 15 POSN, RT ANG FRONT METAL SHELL AMPLIMITE HD-22			
CHK	J. CHENG	12MAR02				
APVD	J. WU	12MAR02				
NAME						
PRODUCT SPEC	3		SIZE	CAGE CODE	DRAWING NO	RESTRICTED TO
APPLICATION SPEC	3		A3	00779	C-788624	
WEIGHT	-		CUSTOMER DRAWING			
			SCALE	SHEET	OF	REV
			1.5:1	1	1	G