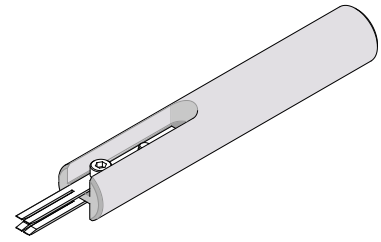


**Sabre™
Extractor Tool**



**Application Tooling
Specification Sheet**



Order No. 63813-0800

FEATURES

- This Extractor Tool is for the removal of male Sabre™ Crimp Terminals from their appropriate housings
- Tool dimensions: 16mm (0.63in) diameter by 120mm (4.7in) long; weighs 48g (1.7oz)

SCOPE

Products: Sabre™ Male Crimp Terminals, 14–20 AWG

Terminal Series No.	Housing Series No.	Terminal Order No.					
		43178	43680	43178-1001	43178-1002	43178-1003	43178-2001
		43178-3001	43178-3002	43178-3003	43178-4001	43178-4002	43178-4003
		43178-5001	43178-5002	43178-5003	43178-6001	43178-6002	43178-6003

OPERATION:

1. Deactivate the TPA using tool number 63813-0600.
2. Place the Extraction tool into the housing as shown in Figure 1. The tool will fit only one way.

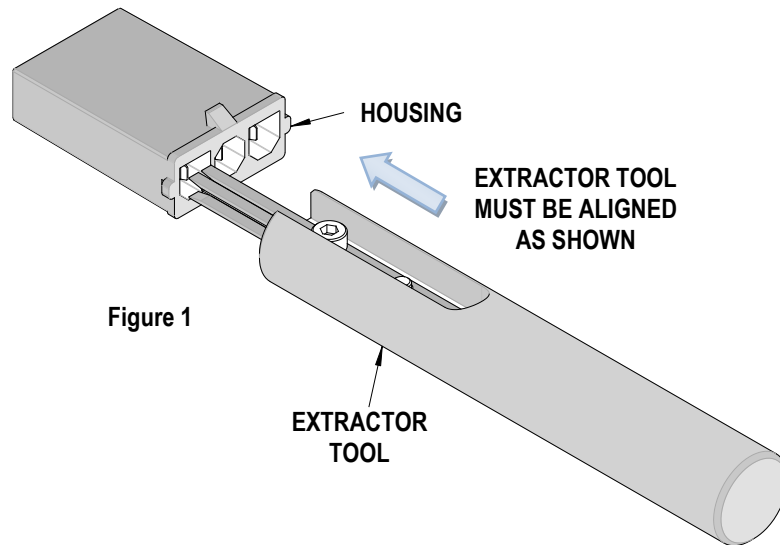
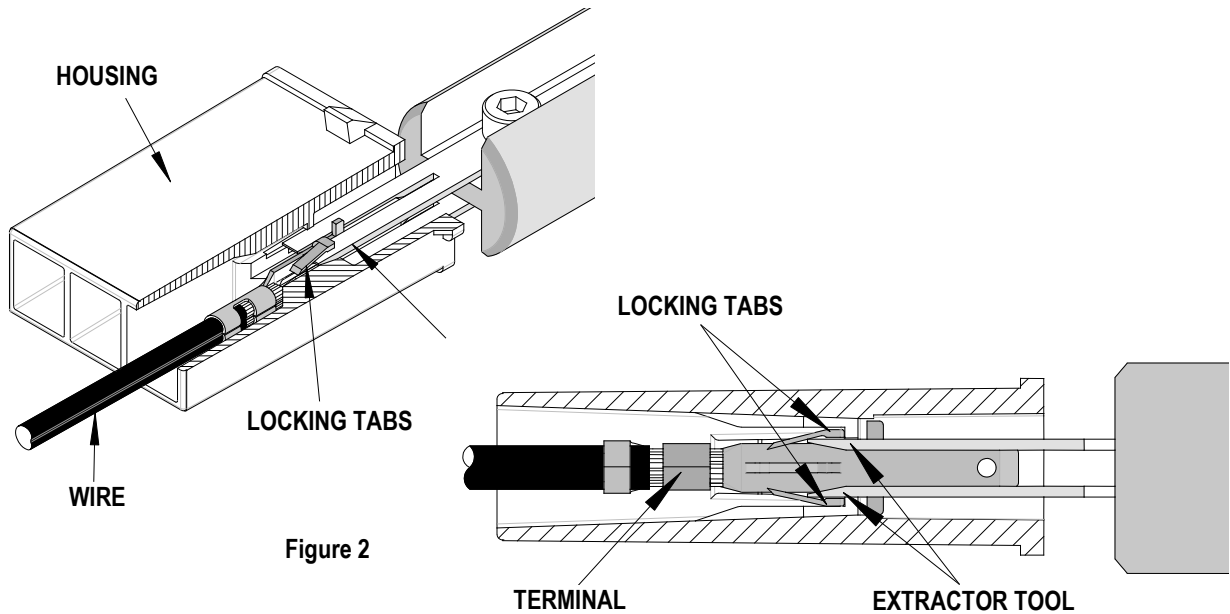


Figure 1

3. Use the slots located inside of the housing to guide the extraction tool into the housing.
4. Continue to insert the tool until the tool stops in the housing. Gently pull the wire and terminal out of the housing. See Figure 2.
5. After the terminal is extracted, it should not be re-inserted. A new terminal should be crimped on the wire.



CAUTION: This extractor tool should be used to extract the terminal only. Using it for unintended purposes may cause injury or damage to parts.

CAUTION: Molex specifications are valid only when used with Molex terminals, applicators and tooling.

Molex does not offer repair parts for Extractor Tools due to the inexpensive nature of these tools.

Contact Information

For more information on Molex application tooling please contact Molex at 1-800-786-6539.

Visit our Web site at <http://www.molex.com>