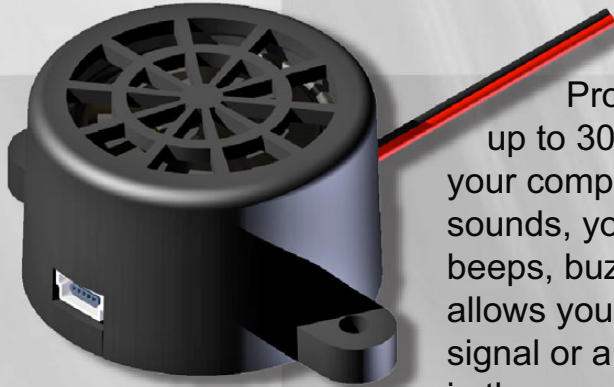


**pui  
audio**™ inc  
a projects unlimited company

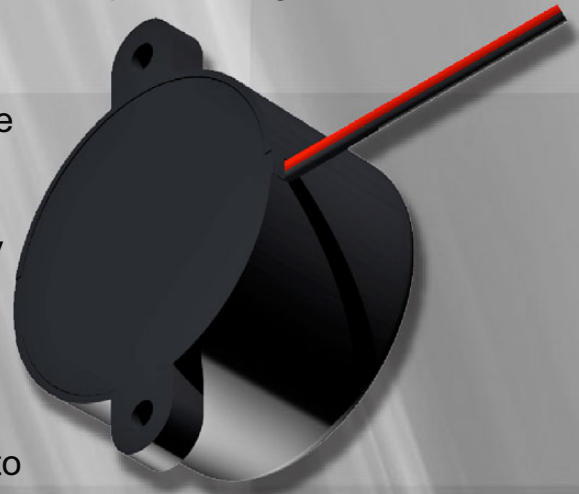
# PROGRAMMABLE INDICATOR



API-4260-LW150-R

PUI Audio is proud to announce our new Programmable Indicator that allows you to program up to 30 seconds of any WAV or MP3 file via USB from your computer. With the flexibility of programming your own sounds, you are no longer required to listen to the standard beeps, buzzes or alarm signals. The programmable indicator allows you to give voice instructions along with a warning signal or a unique tone if multiple warning devices are used in the same area.

With a wide frequency range of 100Hz to 6,000Hz, the programmable indicator can play a variety of tones, alarm signals, or voice and music messages. Once programmed, the indicator will play the file repetitively until power is turned off. The file is stored on internal flash memory that can be reprogrammed as often as you like and will not erase until another file is programmed over it. With an operating voltage range of 7 to 24 VDC, there is no need of complex circuitry to produce the exact tone you are looking for.



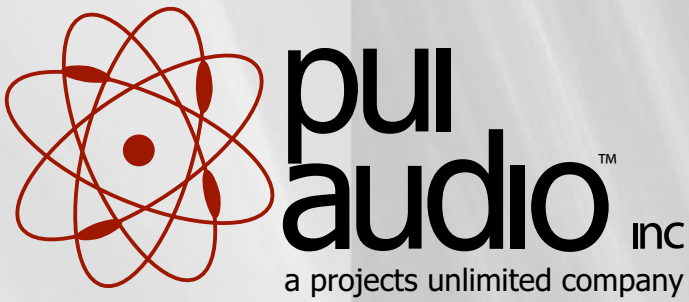
## Features include:

- Ability to program any WAV or MP3 file
- Volume can be controlled by file programming
- Flash memory can be programmed more than once
- Pre-programming available on certain quantities
- Repeating continuous operation
- Simple-to-use Windows interface
- Wide frequency range
- DC operating voltage
- Flange mounting

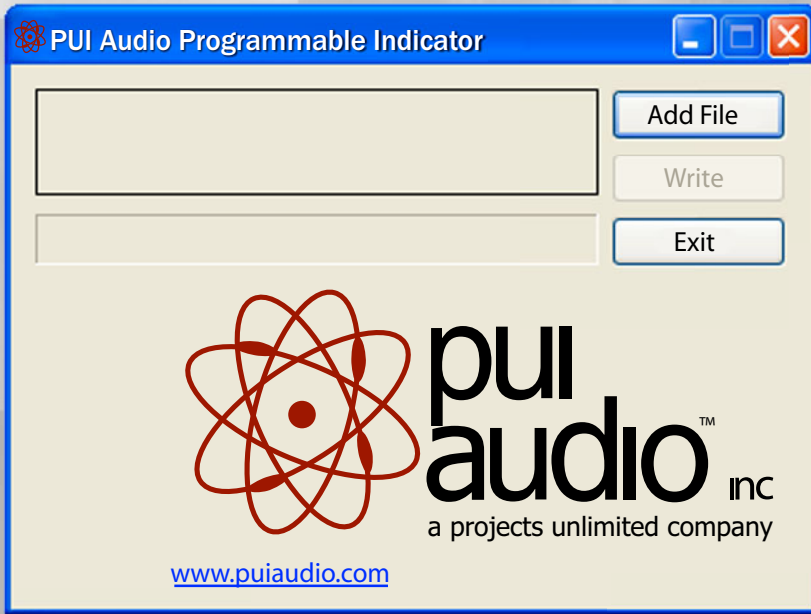
## Specifications:

- Rated Voltage: 12VDC
- Voltage Range: 7 ~ 24VDC
- Frequency Range: 100 ~ 6,000Hz
- Minimum SPL @ 10cm with default 1KHz tone: 100dBA
- Max Rated Current: 350mA
- Max File Length: 33 seconds
- Sampling Rate: 12KHz

PUI Audio is a leading developer, manufacturer and supplier of quality audio devices and components including buzzers, alerts, speakers and microphones. Corporate offices, product development, engineering, sales and customer service are located in Dayton, Ohio. With an extensive network of sales representatives, agents and distributors we provide products and services throughout the world. Whether your needs are for an off the shelf product or a custom design, PUI Audio has your sound solution.

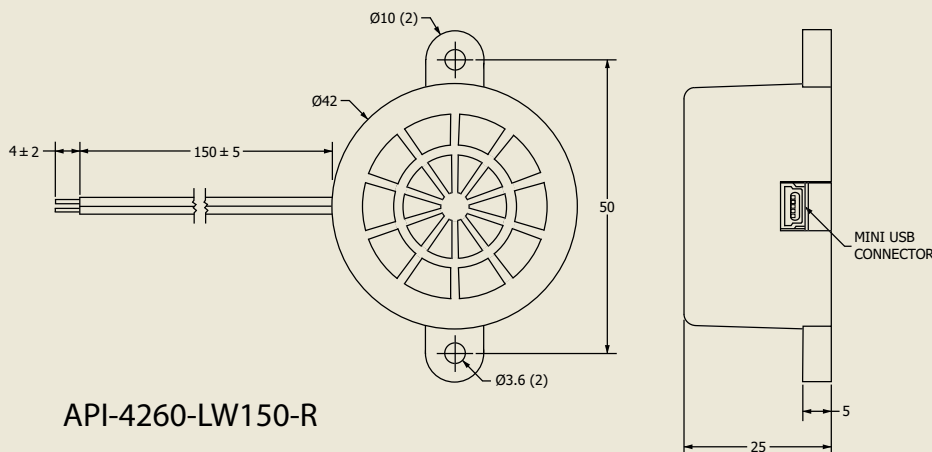


# PROGRAMMABLE INDICATOR



**Simple-to-use  
Windows interface**  
Download it from our website  
at [www.puiaudio.com](http://www.puiaudio.com)

**1 Meter USB to Mini USB**  
**PUI part #: API-CABLE**  
**Sold Separately**



**Dimensions**