



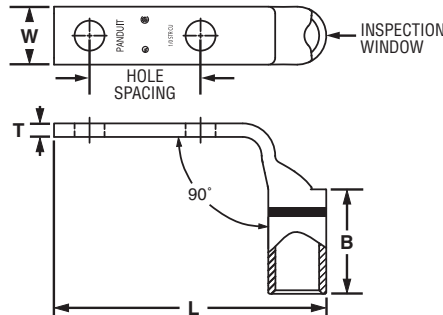
Code Conductor, Two-Hole, Standard Barrel with Window, Narrow Tongue Lug, 90°

For Use with Stranded Copper Conductors

Type LCDN-F

- Narrow tongue width for limited space applications
- Color-coded barrels marked with Panduit and specified competitor die index numbers for proper crimp die selection
- Inspection window to visually assure full conductor insertion
- Tin-plated to inhibit corrosion

- UL Listed and CSA Certified to 35 KV** and temperature rated to 90°C when crimped with Panduit and specified competitor crimping tools and dies
- UL Listed and CSA Certified for wide wire range-taking capability when crimped with Panduit® Uni-Die™ Dieless Crimping Tools‡



| Part Number | Copper Conductor Size | Stud Hole Size (In.) | Stud Hole Spacing (In.) | Figure Dimensions (In.) | | | | Panduit Color Code | Panduit Die Index No.‡ | Burndy Die Index No.‡ | T&B Die Index No.‡ | Wire Strip Length (In.) | Std. Pkg. Qty. |
|----------------|-----------------------|----------------------|-------------------------|-------------------------|------|------|------|--------------------|------------------------|-----------------------|--------------------|-------------------------|----------------|
| | | | | W | B | T | L | | | | | | |
| LCDN2-14AF-Q | #2 AWG | 1/4 | 0.63 | 0.42 | 0.88 | 0.11 | 1.86 | Brown | P33 | 10 | 33 | 15/16 | 25 |
| LCDN2-14DF-Q | #2 AWG | 1/4 | 1.00 | 0.42 | 0.88 | 0.11 | 2.24 | Brown | P33 | 10 | 33 | 15/16 | 25 |
| LCDN1/0-14DF-X | 1/0 AWG | 1/4 | 1.00 | 0.52 | 0.94 | 0.13 | 2.45 | Pink | P42 | 12 | 42 | 1 | 10 |
| LCDN1/0-56DF-X | 1/0 AWG | 5/16 | 1.00 | 0.52 | 0.94 | 0.13 | 2.51 | Pink | P42 | 12 | 42 | 1 | 10 |

‡See pages D3.58 – D3.61 for tool and die information.

**Consult cable manufacturer for voltage stress relief instructions with applications greater than 2000 V.

- A. System Overview
- B1. Cable Ties
- B2. Cable Accessories
- B3. Stainless Steel Ties
- C1. Wiring Duct
- C2. Surface Raceway
- C3. Abrasion Protection
- C4. Cable Management
- D1. Terminals
- D2. Power Connectors
- D3. Grounding Connectors
- E1. Labeling Systems
- E2. Labels
- E3. Pre-Printed & Write-On Markers
- E4. Permanent Identification
- E5. Lockout/Tagout & Safety Solutions
- F. Index