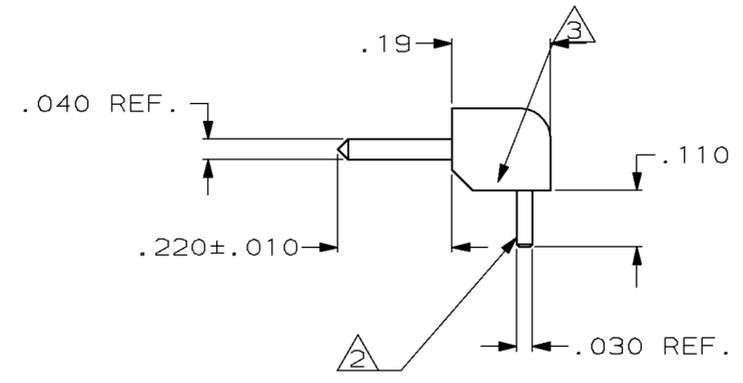
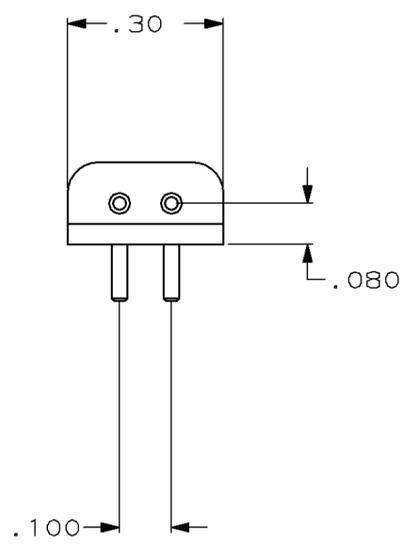
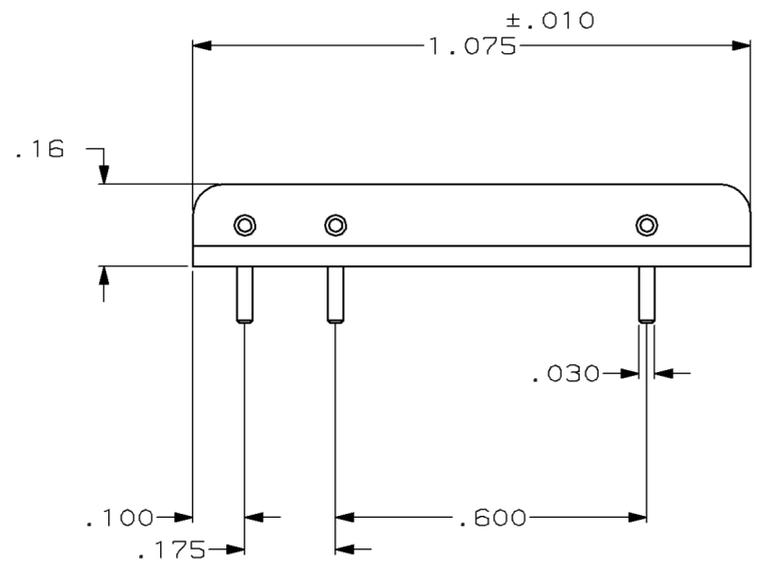


THIS DRAWING IS UNPUBLISHED. RELEASED FOR PUBLICATION, 19 .
 © COPYRIGHT 19 BY AMP INCORPORATED. ALL INTERNATIONAL RIGHTS RESERVED.

Loc	DIST	P	F	REVISIONS				
				ZONE	LTR	DESCRIPTION	DATE	APPD
DF	A1			C		REVISED PER ECN DF-4405	6-3-91	DES
				D		REV PER ECN DF-5896	02-18-92	DES
				E		REV PER 0600-6182-97 TT	22MAY98	RK

- ⚠ MATERIAL: GLASS FILLED THERMOPLASTIC VO RATED PER MIL-M-24519. COLOR: BLACK
- ⚠ THIS END SOLDER DIPPED IN ACCORDANCE WITH MIL STD 202, METHOD 208.
- ⚠ CUST P/N LOCATED IN THIS APPROXIMATE AREA. FOR -2 ONLY.



2	11750265		447463-4
2			447463-3
3	---	⚠	447463-2
3	11750893	447463-2 ⚠	447463-1

POS.	CUSTOMER PART NO	MATERIAL	PART NO
DO NOT SCALE PRINT. UNLESS SPECIFIED DIMENSIONS IN INCHES TOLERANCES ON : 2 PLC DEC ± .01 3 PLC DEC ± .005 ANGLES ± 1°		AMP AMP Incorporated Harrisburg, PA 17105-3608	
MATERIAL -		NAME FUZE SYSTEM CONNECTOR HEADER, RIGHT ANGLE	
FINISH -		SIZE C 00779	DRAWING NO 447463
APPLICATION SPEC -		SCALE 4:1	SHEET 1 OF 1
WEIGHT -			