

THIS DRAWING IS UNPUBLISHED.

RELEASED FOR PUBLICATION

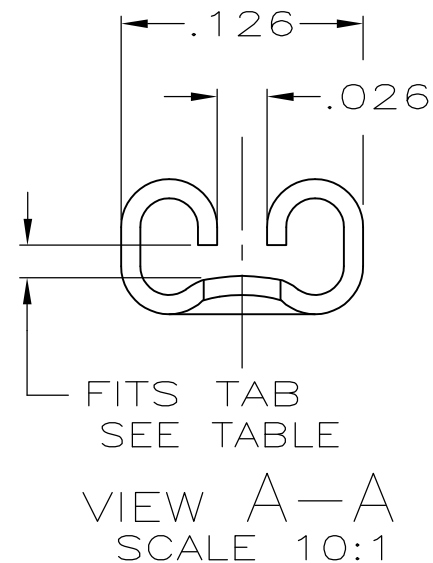
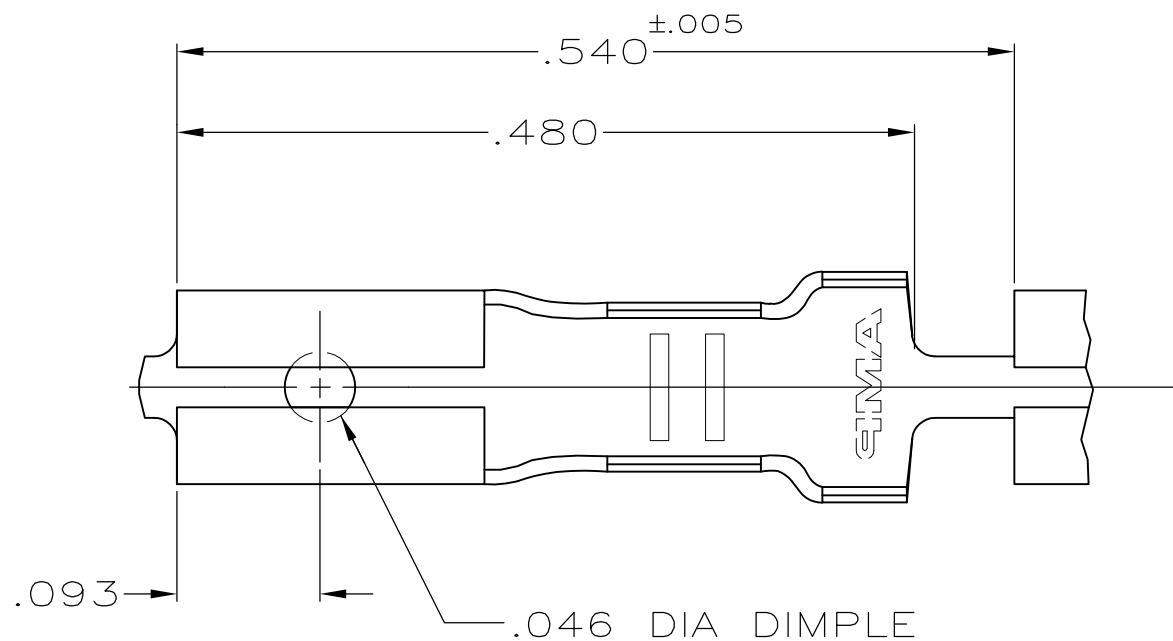
ALL RIGHTS RESERVED.

© COPYRIGHT - By -

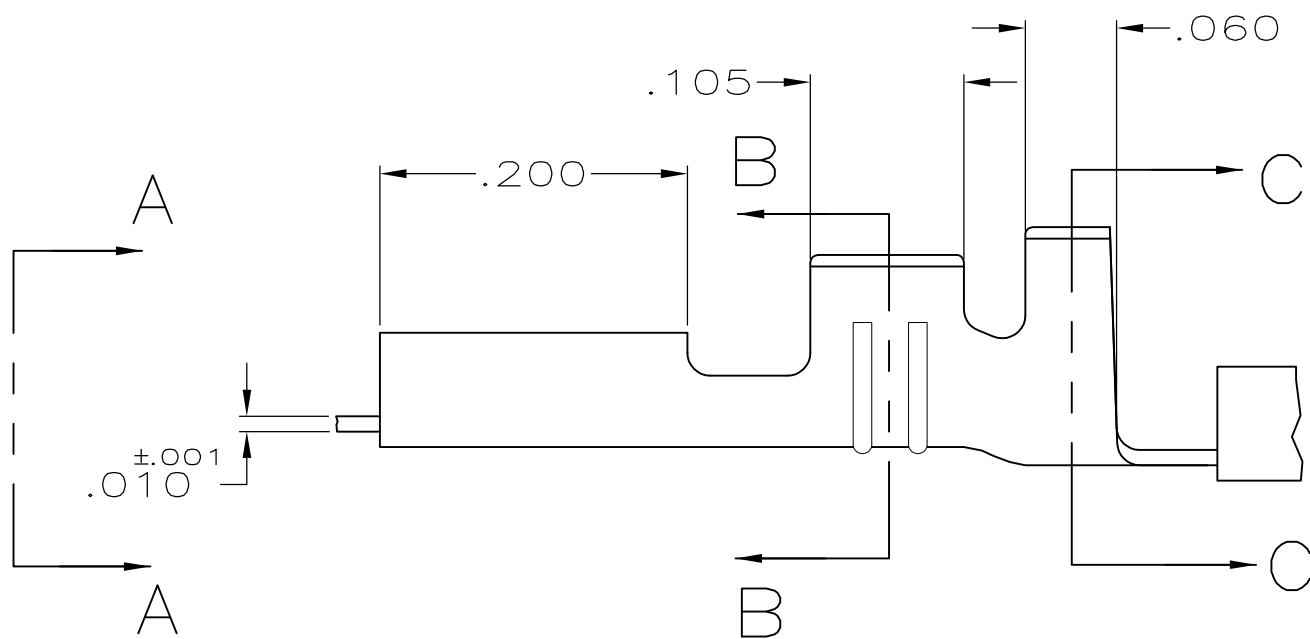
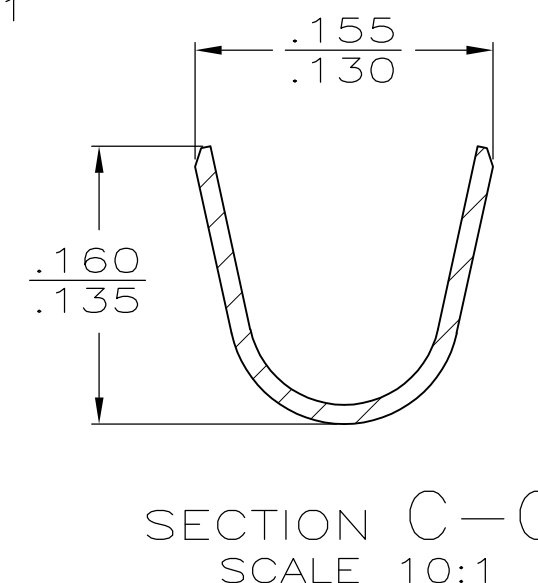
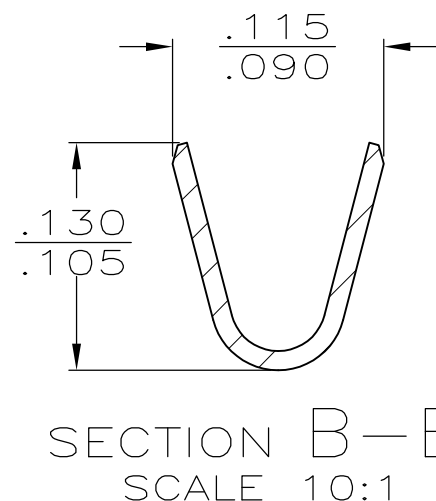
LOC AF DIST 50

REVISIONS


P	LTR	DESCRIPTION	DATE	DWN	APVD
	J	REVISED PER ECR-12-013445	18OCT12	KH	PD



1 CONTINUOUS STRIP ON REELS.



.080-.120	22-18	.032 x .103 MAX	60252-1
INSUL RANGE	WIRE SIZE	MATING TAB	PART NO

THIS DRAWING IS A CONTROLLED DOCUMENT.		DWN JR RUTH 12/10/92	 TE Connectivity RECEPTACLE, FASTON, SPECIAL	
DIMENSIONS: mm [INCHES]		CHK MS FEHER 12/10/92		
TOLERANCES UNLESS OTHERWISE SPECIFIED:		APVD J GILLESPIE 12/10/92		
0 PLC ± - 1 PLC ± - 2 PLC ± - 3 PLC ± 0.38 [.015] 4 PLC ± - ANGLES ± -		PRODUCT SPEC -		
MATERIAL BRASS		FINISH PRE-TIN	APPLICATION SPEC -	RESTRICTED TO -
		WEIGHT -	SIZE A3	CAGE CODE 00779
		CUSTOMER DRAWING	DRAWING NO C-60252	SCALE 5:1
			SHEET 1 OF 1	REV J