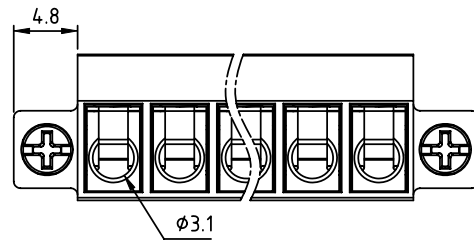
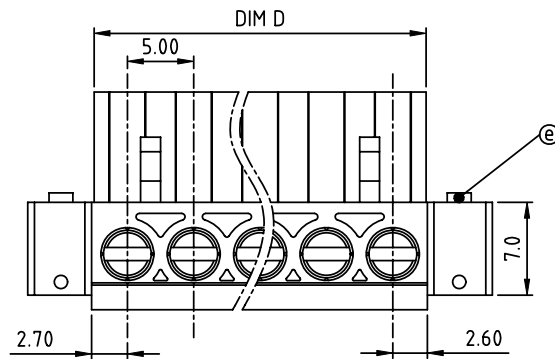
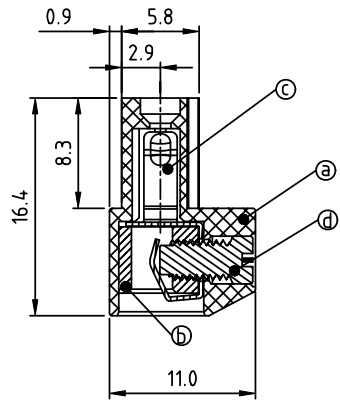
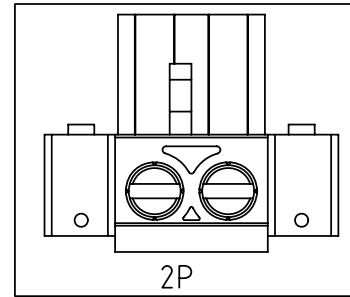
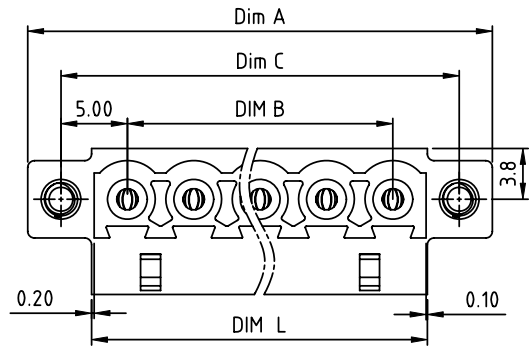


PRODUCT NUMBER	PITCH
EZxx71x200J0G	5.00 mm



Material:

- Item①Terminal(housing): Thermoplastic (UL94V-0)
- Item②Clamp: Brass(CuZn) Ni plated
- Item③Female contact: PhBz Tin plated
- Item④Terminal Screw: Steel zinc plated."-" solt type
- Item⑤ With flange screw: M2.5 Steel Zinc plated."+/-" solt type

Electrical: cULus

- Voltage rating: 300 V
- Current rating: 15 A
- Wire range:
- Solid wire(AWG):12-22
- Stranded wire(AWG):12-22
- Torque: 4.3 Lb-In
- Screw:M3
- Wire strip length:7-8 mm
- Withstanding Voltage:1.6KV
- Operating temperature:-40°C to +115°C
- Safety Approval:

N=NUMBER OF POLES

Dim L=Nx5.0+0.3
Dim A=(N-1)x5.0+15.0
Dim B=(N-1)x5.0
Dim C=(N-1)x5.0+10.0
Dim D=Nx5.0

POLES	Tolerance
2P-6P	±0.15
7P-12P	±0.20
13P-18P	±0.25
19P-24P	±0.30

PART NO.: EZ xx 71 x 2 00J0 G

Solid block	No. of poles	Color	RoHS compliant (lead<4%) In copper Alloy
0	2	Black (RAL9005)	
02	2	Red (RAL3001/D)	
03	3	Orange(RAL2011/P)	
...	...	4 Yellow(RAL1018/A)	
...	...	5 Green(RAL6018/T)	
24	24	6 Blue (RAL5015/A)	
		8 Grey(RAL7035/D)	
		9 White(RAL1102)	
		C Green(RAL6018/U)	

mat'l. code		surface ASME Y14.5	tolerance ASME Y14.5	projection 	product family TERMINAL BLOCK
ltr	ecn no	dr	date	tolerances unless otherwise specified	title TERMINAL BLOCK PLUGGABLE PLUG, WITH FLANGE
				angles 	
				X.±0.5	scale MM
				X.X±0.3	
				X'±1"	X.XX±0.1
		dr	EVIN ZHONG	041814	dwg no EZxx71x200J0G sheet 1 of 1 size A4
		engr	EVIN ZHONG	041814	
		chr	HANKE FENG	041814	
		appd	SHI JUN	041814	
sheet index	revision sheet	A	1		type CUSTOMER Drawing