

# SLE210K

## Miniature Power Rocker Switches

Dust Proof

FUJISOKU SWITCHES



C-US UL VDE SEMKO

RoHS Compliant

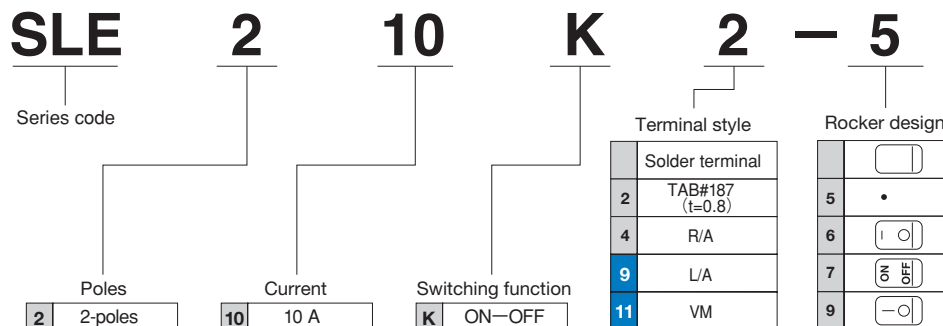
### Features

1. C-US UL , VDE and SEMKO approved products
2. Snap-in panel mounting
3. Compact size is suited for space-saving design.
4. Best suited for power supply of equipment.
5. Dust-proof type
6. 100 A rush current type.
7. Breaking distance is 3 mm or over.

### Specifications

Rating	Load	Inductive load				Resistive load
	Inrush current (p.f.=0.6)	125VAC		250VAC		
		Break current (p.f.=0.9)	100A	60A	100A	60A
Min.	10mA 5VAC/DC				(Resistive load)	
C-ULUS	6A 125VAC·6A 250VAC				(Resistive load)	
Initial contact resistance	20mΩ max.				(1A 1~2VDC)	
Initial dielectric strength	1500VAC 1 minute					
Initial insulation resistance	100MΩ min (500VDC)					
Electrical life (cycles)	5,000	10,000	5,000	10,000	10,000	
Operating force	3.92~12.7N					
Operating temperature range	-25~+85°C					
Storage temperature range	-40~+85°C					

### Part Numbering



★    : The combination marked in blue brackets shows made-to-order products.

### Marking Color

Frame color · Rocker color	Making color
Black	White

∟The black color is standard for the frame and the rocker.  
The gray and the ivory colors are also available as custom-made items.

### Handling Precautions

#### 1. Soldering Specifications

##### (1) Manual Soldering

Device : Soldering iron

380°C, Max.; 5 seconds, Max.

The tab terminals cannot be soldered.

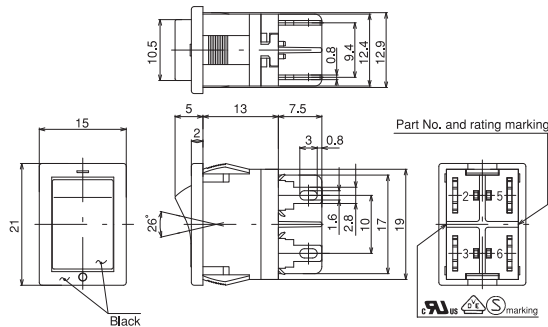
# SLE210K

## Table of Part Numbers

Frame color and rocker color	Marking color	Switching function	Terminal styles	Part number and rating marking side				
Black	White	ON—OFF	Solder terminal	☆SLE210K	★SLE210K-5	SLE210K-6	★SLE210K-7	SLE210K-9
			#187 TAB	SLE210K2	SLE210K2-5	SLE210K2-6	SLE210K2-7	SLE210K2-9
			Right-angle	★SLE210K4	★SLE210K4-5	☆SLE210K4-6	★SLE210K4-7	▲SLE210K4-9
			Left-angle	▲SLE210K9	★SLE210K9-5	★SLE210K9-6	★SLE210K9-7	★SLE210K9-9
			Vertical mounting	▲SLE210K11	▲SLE210K11-5	★SLE210K11-6	☆SLE210K11-7	▲SLE210K11-9

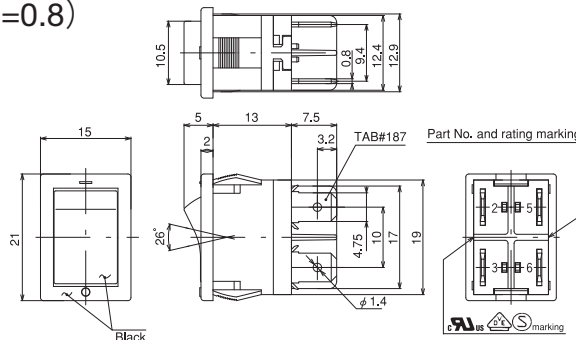
● For custom-made products, we accept orders for indication of letters, codes, etc., on the top surface of rocker.

### Solder terminal

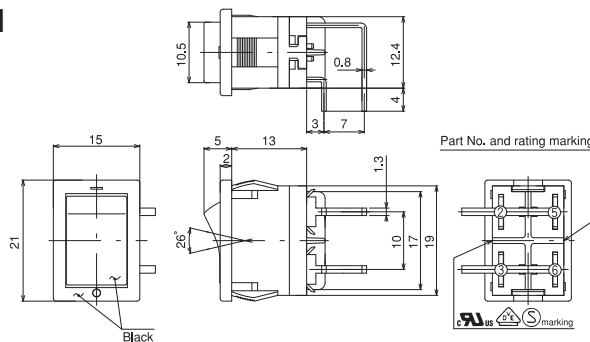


Switching function	Viewed from part No. & rating marking side	
Part No.	ON	OFF
Connecting terminals	2—3 5—6	—

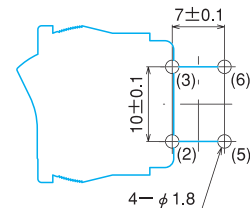
### TAB#187 Terminal (t=0.8)



### Right Angle Terminal

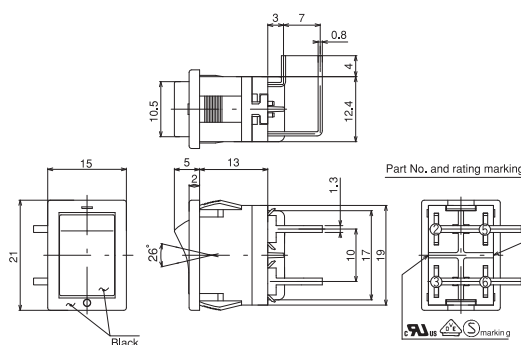


### PC Hole Layouts (Top view)

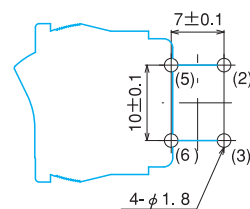


The blue lines show the outline of the switch.

### Left Angle Terminal



### PC Hole Layouts (Top view)



The blue lines show the outline of the switch.

▲ : Inquiry products.

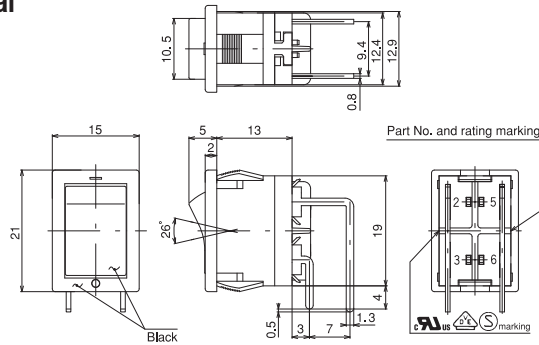
☆ : Semi-standard products.

★ : Made to order products.

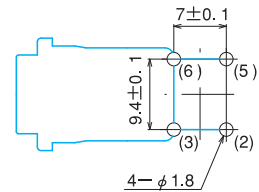
● Terminal numbers are shown on the bottom of the switch.

# SLE210K

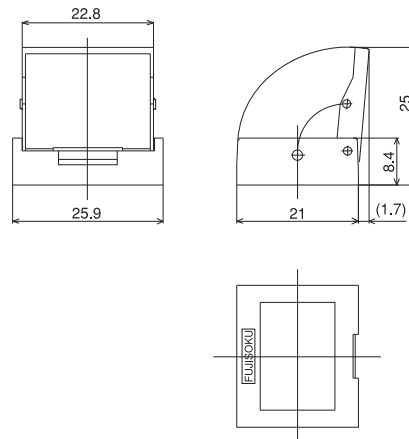
## Vertical Mounting Terminal



## PC Hole Layouts (Top view)



## Switch Guard Dedicated for use of rocker switches



### Features

Clear visibility and one-touch mounting to save labor

### Application

Best suited for protection of malfunction of miniature rocker switches (panel cutout: 19.2 x 12.9)

### Specifications

Part Name: Switch guard

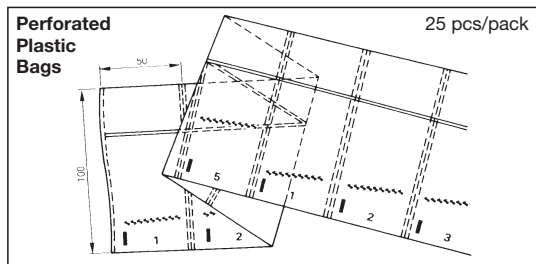
Part Number: 140007250027

Color: Black (transparent cover)

An application switch	● SLE6	● SLE10
	● SL10K	● SLE210K

※The switch guard cannot be used for the SLE10K type.

### Packaging Specification



### Approvals

UL File No.E43275

VDE License No. 40000090

SEMKO File No. 1312457

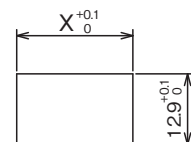
### Panel Cut-Out Dimensions

Switches

Panel thickness	X
0.75~1.25	19.2
1.25~2.0	19.4
2.0~3.0	19.8

Switch Guard Installation

Panel thickness	X
0.75~1.4	19.4
1.4~2.3	19.8



### PRECAUTIONS FOR PANEL MOUNTING