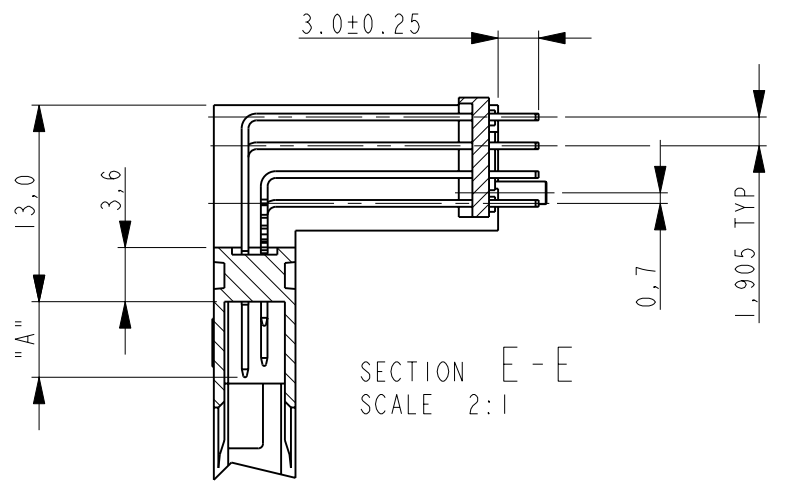
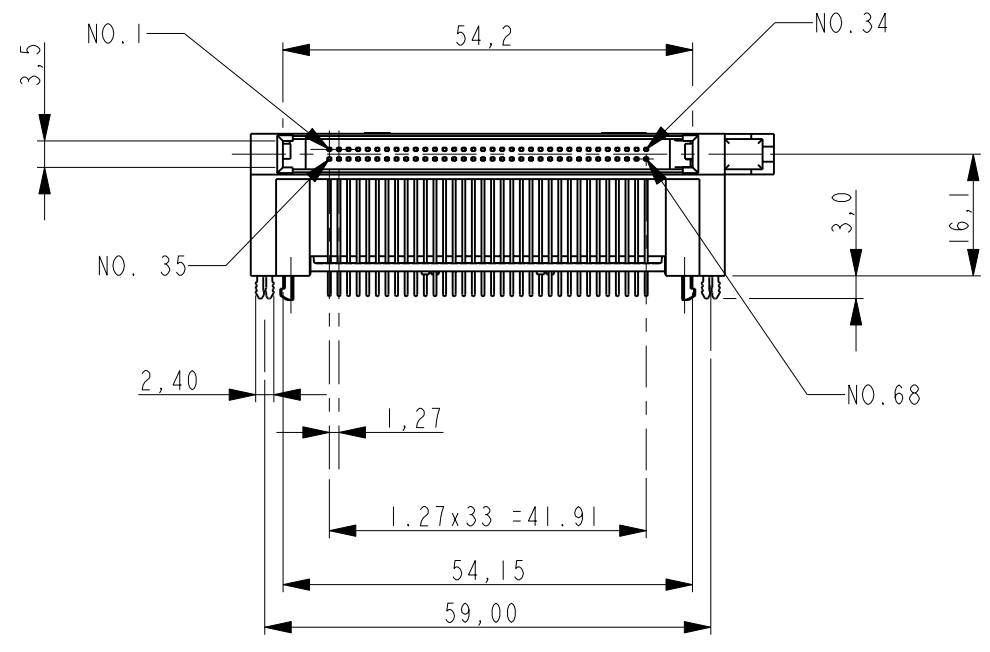
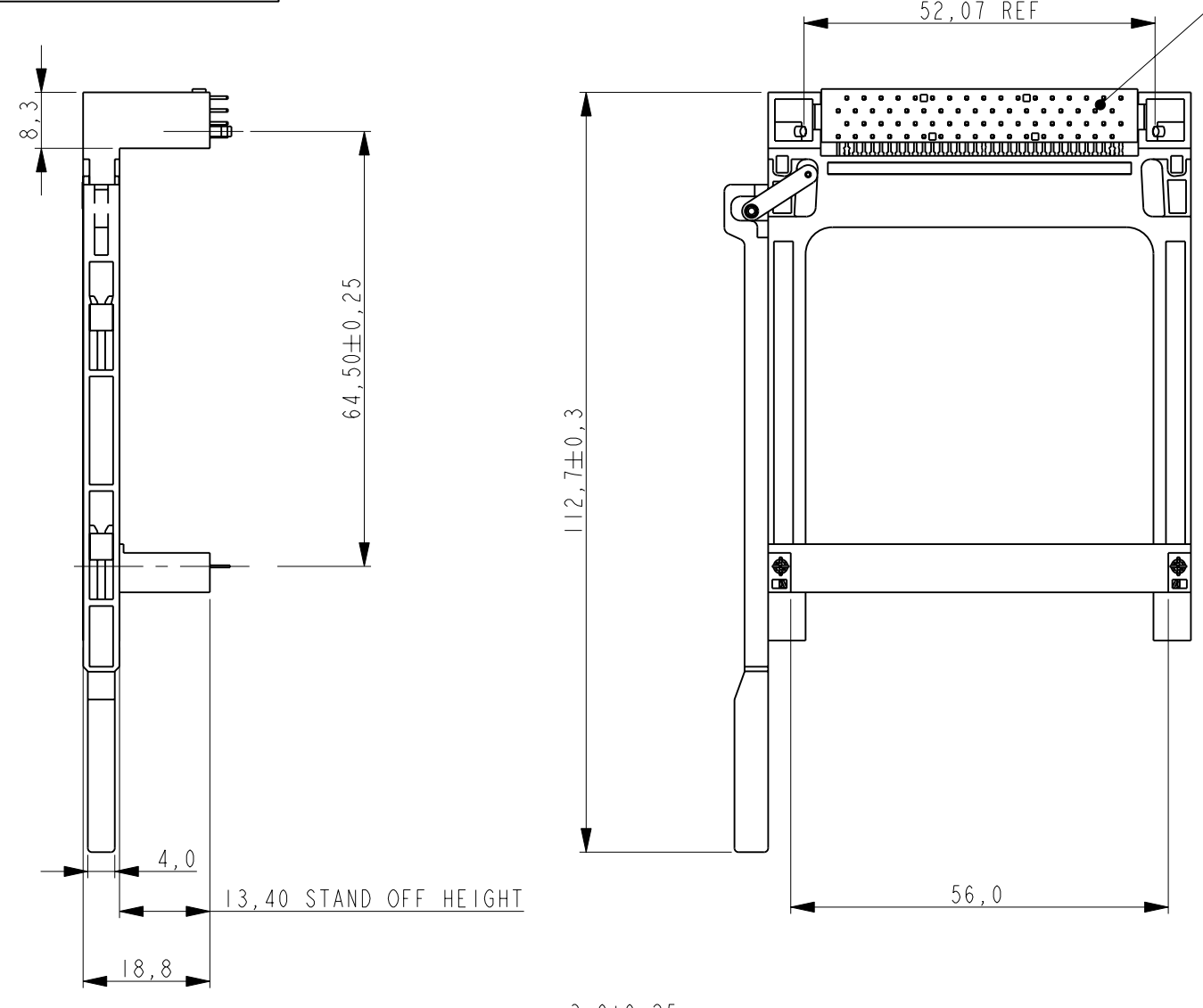
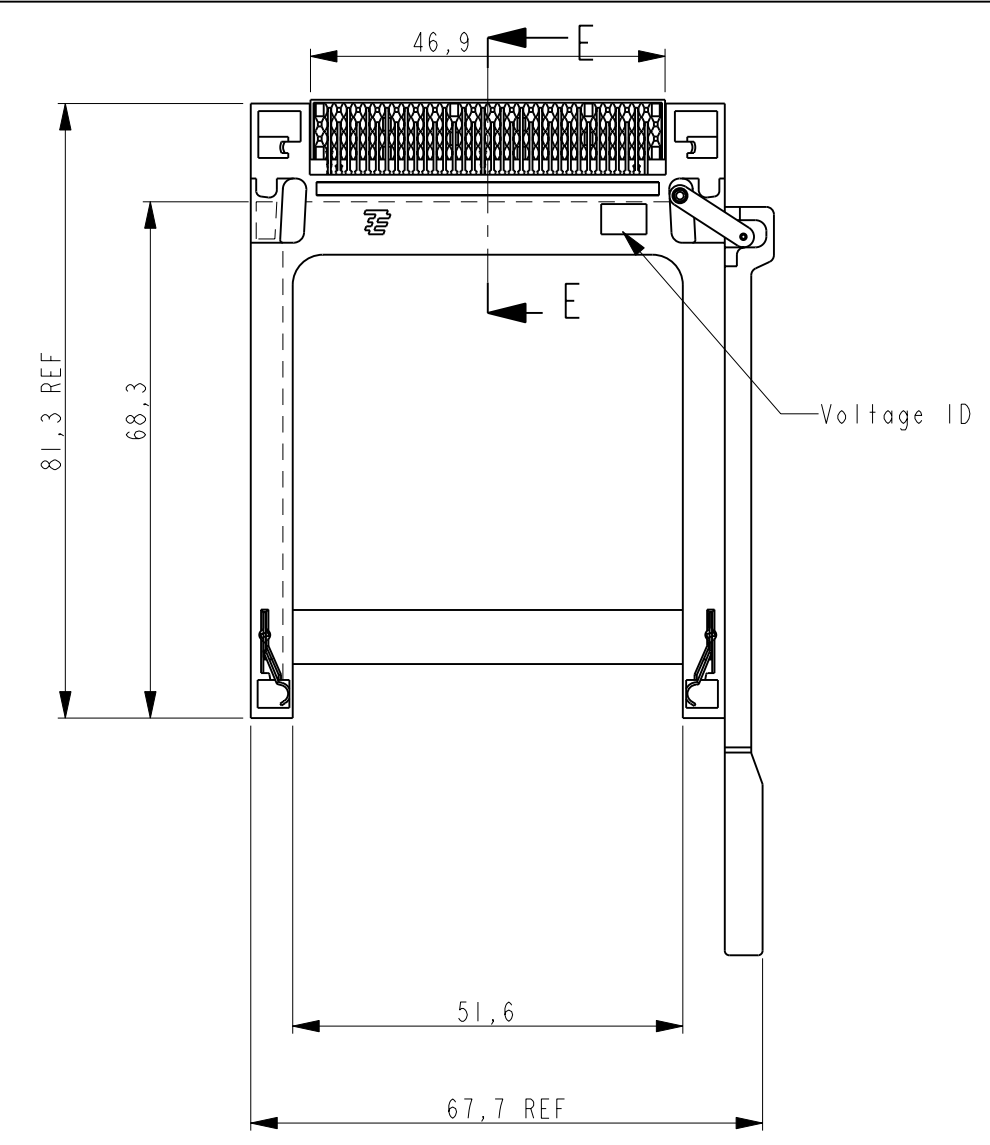
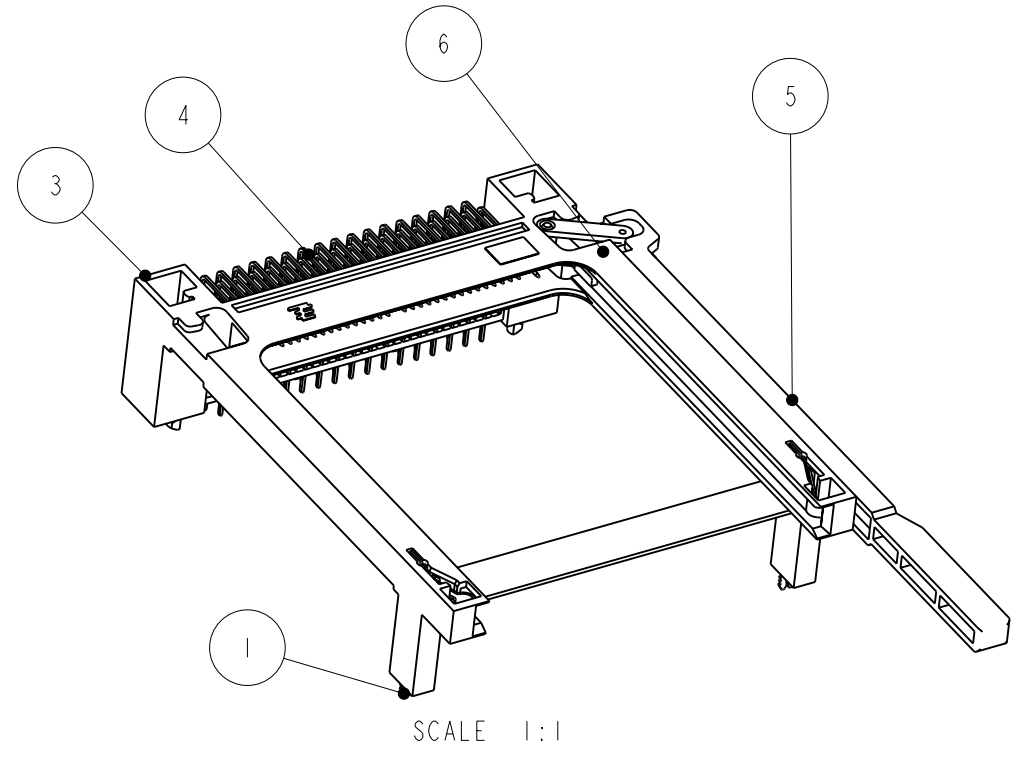
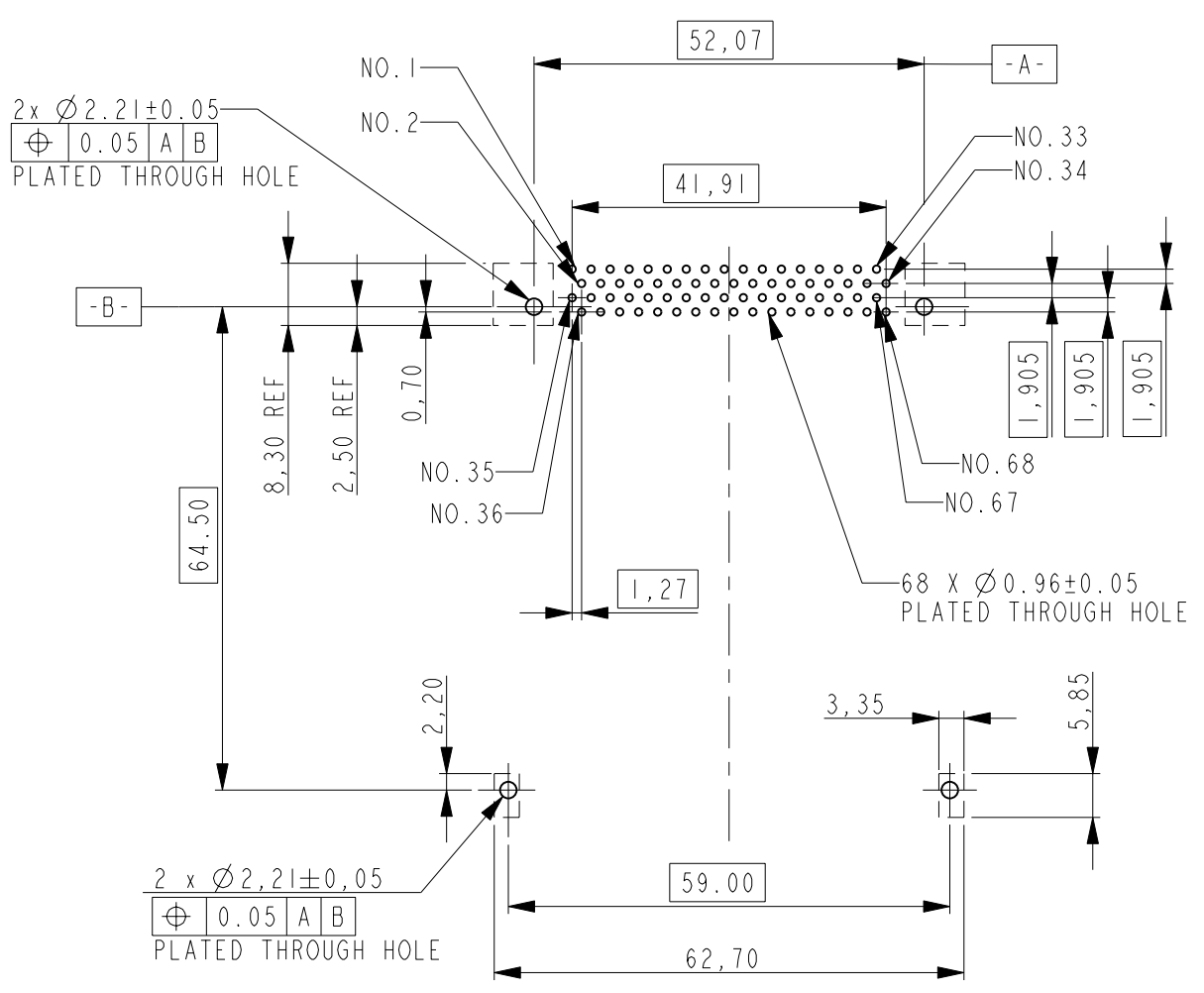


THIS DRAWING IS UNPUBLISHED. RELEASED FOR PUBLICATION 2009
 © COPYRIGHT 2009 ALL RIGHTS RESERVED.

LOC		DIST		REVISIONS			
P	LTR	DESCRIPTION	DATE	DWN	APVD		
	E	ECR-12-000167	05JAN2012	GG	RRP		



RECOMMENDED PCB LAYOUT
 (THICKNESS: 1.60 mm±0.1mm)



NOTES/SPECIFICATION:

- HEADER ACCEPTS TYPES I, II, & III OF PCMCIA STANDARD MEMORY CARD
- MECHANICAL SPECIFICATION:
 - DURABILITY
 - OFFICE ENVIRONMENT: 10000 CYCLES MINIMUM
 - HARSH ENVIRONMENT: 5000 CYCLES
 - CONTACT RETENTION FORCE: 1 kg MINIMUM
- ELECTRICAL SPECIFICATION:
 - CONTACT RESISTANCE: 40 MILLI OHMS MAX.
 - DIELECTRIC WITHSTANDING VOLTAGE: 500 Vrms FOR 1min.
 - INSULATION RESISTANCE: 1000 MEGA OHMS MIN.
 - CURRENT CAPACITY: 0.5 AMPS PER PIN.
- ENVIRONMENTAL SPECIFICATIONS:
 - STORAGE ENVIRONMENT: -40°C TO +70°C, 95% MAX. RELATIVE HUMIDITY (NON CONDENSING)
 - OPERATION TEMPERATURE: -20°C TO +60°C, 95% MAX. RELATIVE HUMIDITY (NON CONDENSING)
 - THERMAL SHOCK: 6 CYCLES (1 CYCLE PER HOUR) WITH CONNECTOR ENGAGED WITH EXTREMES OF -55°C TO +70°C.
- LENGTH OF CONTACTS:

DIM "A"	POSITION No.
5	1, 17, 34, 35, 51, 68
3.5	36, 67
4.25	THE OTHERS
- PLATING OF CONTACT: Ni: 1.5µm MIN (OVERALL)
 Au : 0.03µm MIN. (CARD SIDE)
 TIN : 2µm MIN (PCB SIDE)
- ALL PARTS PACKAGED IN TRAYS UNLESS REQUESTED:

CONNECTOR TO PRINTED CIRCUIT BOARD ASSEMBLY:

- PLACE THE CONNECTOR ON THE PRINTED CIRCUIT BOARD. THE SOLDER TAILS, RETENT CLIPS & PLASTIC LEGS SHOULD BE SEATED IN THE RESPECTIVE HOLES
- PUSH FIRMLY DOWN ON CENTER OF PLASTIC LEGS THEN SOLDER RETENTS. A SLIGHT SNAP IS FELT WHEN THE CONTACT IS FULLY SEATED.
- SOLDER PROCESS ENTIRE PRINTED CIRCUIT BOARD ASSEMBLY

VOLTAGE IDENTIFICATION	PARTNUMBER	HEADER TYPE
5V	1955485-1	5V HEADER

ITEM NO.	QTY	DESCRIPTION	MATERIAL	FINISH
6	2	CAM	THERMOPLASTIC UL94 V0	COLOUR: BLACK
5	1	EJECTOR	THERMOPLASTIC UL94 V0	COLOUR: BLACK
4	68	CONTACT	BRASS	
3	1	HOUSING	THERMOPLASTIC UL94 V0	COLOUR: BLACK
2	1	ORGANIZER	THERMOPLASTIC UL94 V0	COLOUR: BLACK
1	2	GROUND CONTACT	PHOSPHOR BRONZE	TIN 2 µm MIN

THIS DRAWING IS A CONTROLLED DOCUMENT.

DWN: GUNA 05FEB10
 CHK: PREMJJTH 05FEB10
 APVD: PREMJJTH 05FEB10

PRODUCT SPEC: 108-19021

APPLICATION SPEC: -

MATERIAL: -

WEIGHT: -

CUSTOMER DRAWING

STE TE Connectivity

NAME: PC CARD CONNECTOR HIGH RAISED VERSION 13.4 mm

SIZE: A2 CAGE CODE: 00779 DRAWING NO: 1955485 RESTRICTED TO: -

SCALE: 1:1 SHEET: 1 OF: 1 REV: E