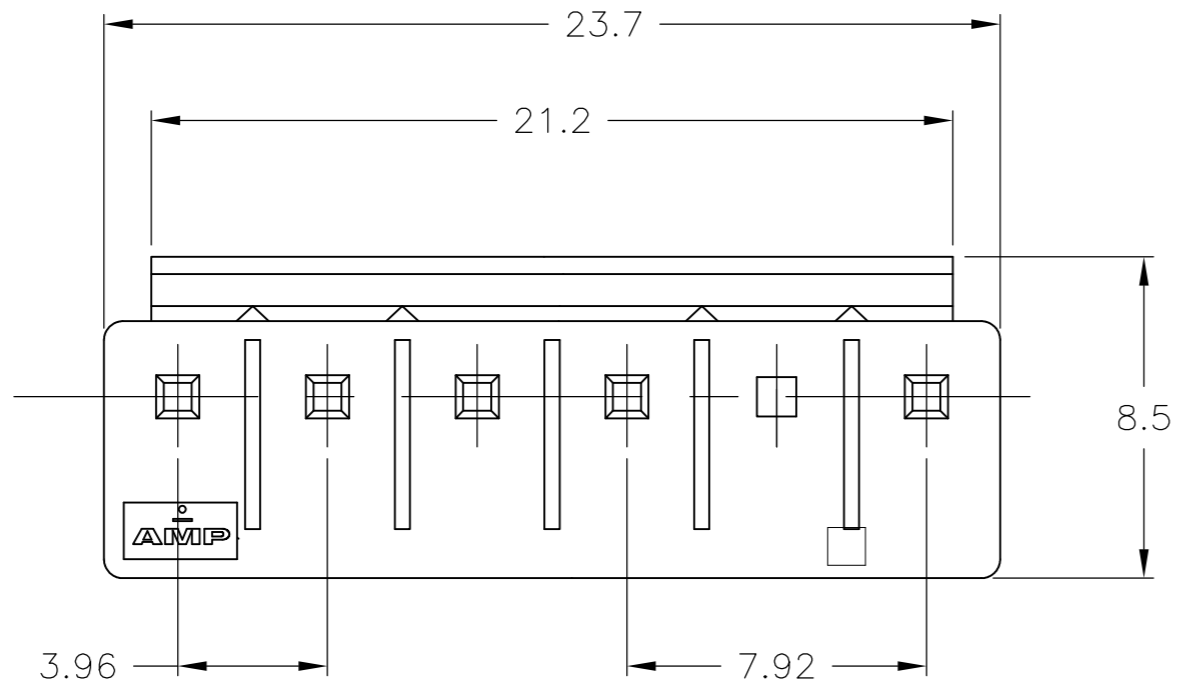
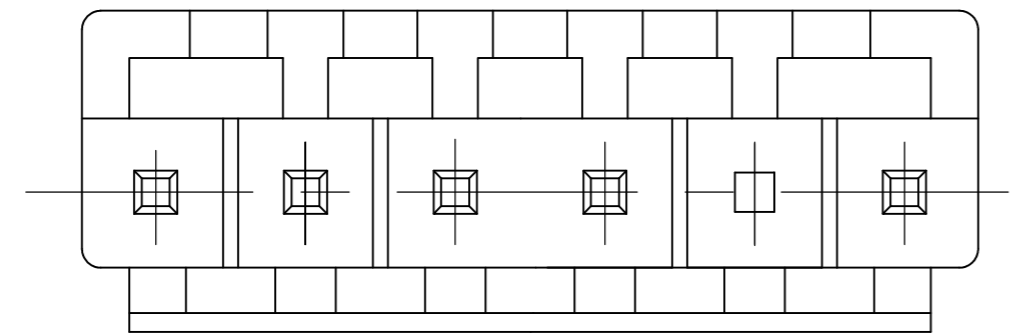
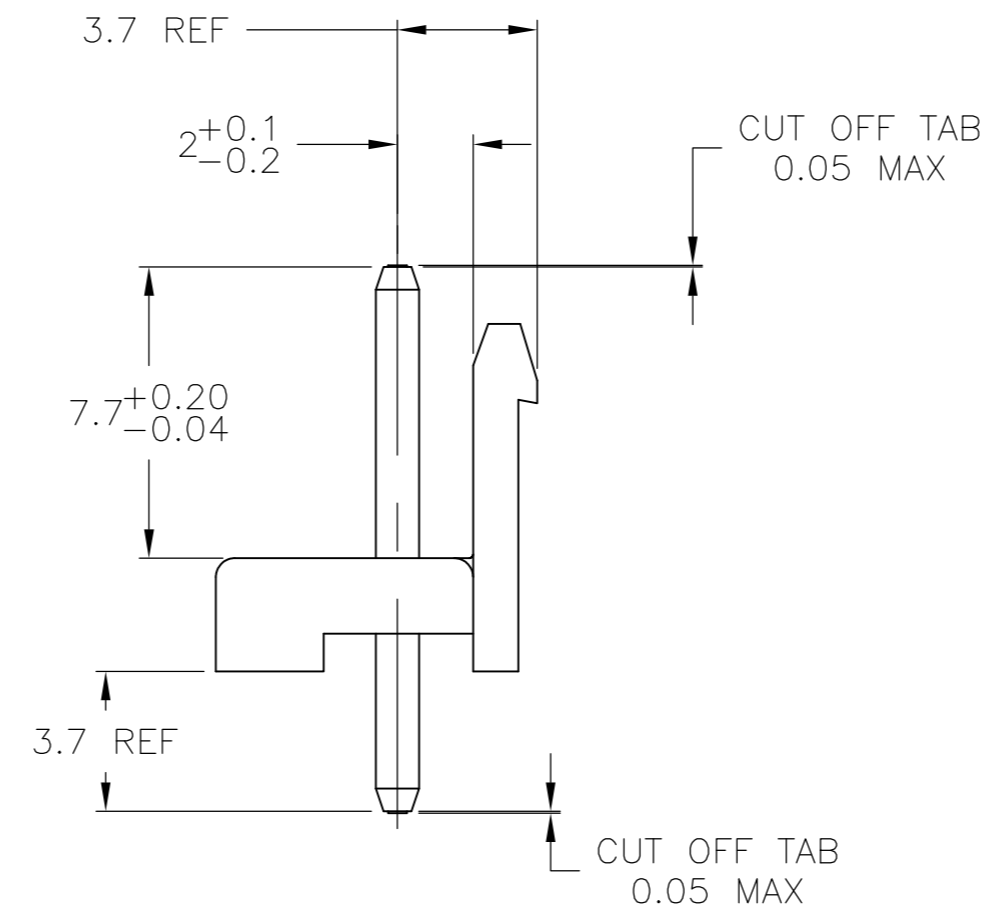
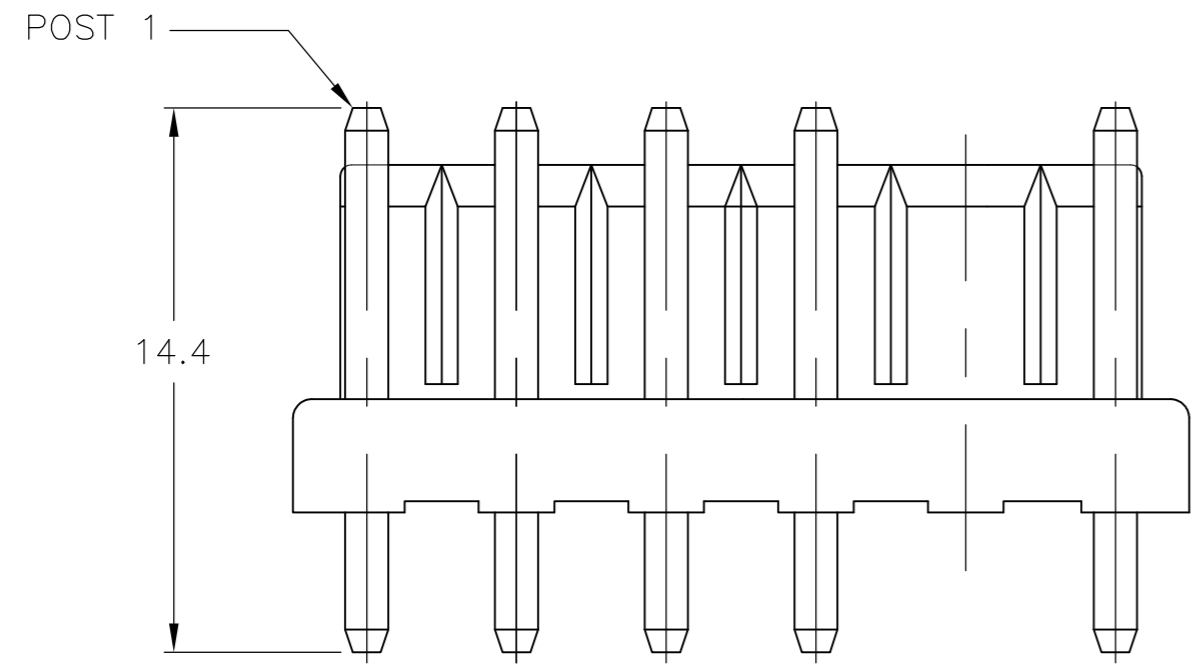


THIS DRAWING IS UNPUBLISHED. RELEASED FOR PUBLICATION  
 © COPYRIGHT - By - ALL RIGHTS RESERVED.

LOC	DIST	REVISIONS			
P	LTR	DESCRIPTION	DATE	DWN	APVD
GP	00	C1	REVISED PER ECO-11-015751	02AUG11	HMR SM



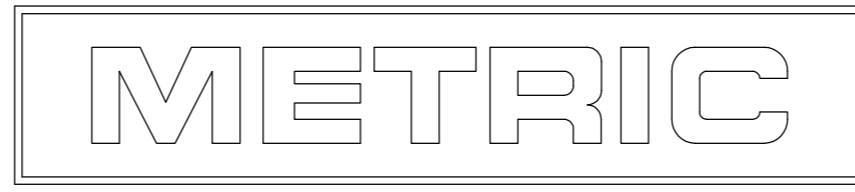
1. MATERIAL: HOUSING- PBT, NATURAL  
 POST - BRASS, 0.001[.000039] MIN TIN OVER  
 0.0008[.000031] MIN NICKEL.



1744106-1 SHOWN

OBSOLETE

NO. OF POSITIONS	ASSEMBLY PART NO.
3	1744106-5
2	1744106-4
2,5	1744106-3
4	1744106-2
5	1744106-1
OMITTED POST NUMBER	NO. OF POSITIONS
	ASSEMBLY PART NO.



THIS DRAWING IS A CONTROLLED DOCUMENT.		DWN K. WHITAKER 04JUN04	TE Connectivity	
DIMENSIONS: mm		CHK D. BOSSI 04JUN04	NAME	
TOLERANCES UNLESS OTHERWISE SPECIFIED: 0 PLC ± - 1 PLC ± - 2 PLC ± - 3 PLC ± - 4 PLC ± - ANGLES ± -		APVD D. BOSSI 04JUN04	HEADER ASSEMBLY, SPECIAL, OMITTED POST, 6 POSITION, ECONOMY POWER (EP)	
MATERIAL		PRODUCT SPEC	SIZE A2	RESTRICTED TO
FINISH		APPLICATION SPEC	CAGE CODE 00779	DRAWING NO 1744106
		WEIGHT	SCALE 5:1	SHEET 1 of 1
		CUSTOMER DRAWING	REV C1	