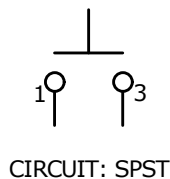
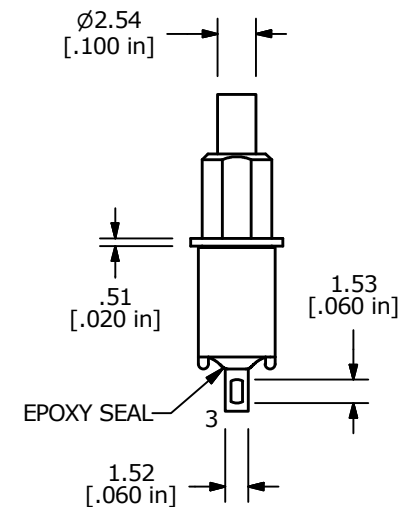
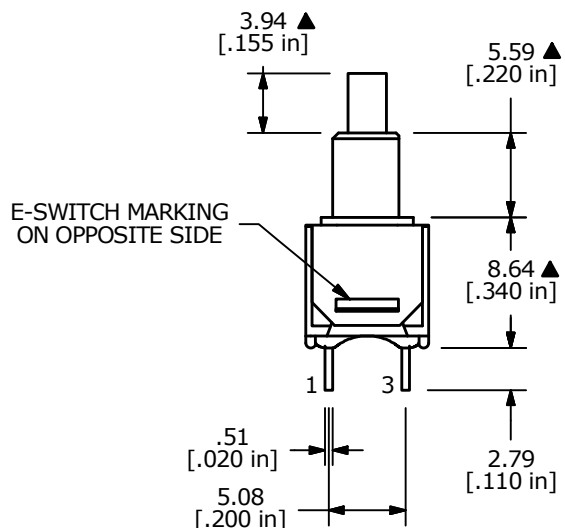


SWITCH FUNCTION	
POS. 1	POS. 2
OFF	(ON)
OPEN	1-3

(ON)=MOMENTARY



- NOTE:
- ALL DIMENSIONS IN MM [INCH]
  - GENERAL TOLERANCE: X.X=±0.4  
X.XX=±0.25
  - TERMINAL NUMBERS FOR REF ONLY
  - ▲ CONTACT MATERIAL: SILVER
  - ▲ RATING: 1A @ 250 VAC  
3A @ 120 VAC OR 28 VDC
  - MECHANICAL LIFE: 50,000 MAKE-AND-BREAK CYCLES
  - CONTACT RESISTANCE: 20 mΩ MAX. INITIAL @ 2-4VDC  
100mA FOR BOTH GOLD AND SILVER CONTACTS
  - INSULATION RESISTANCE: 1,000 MEGA-OHM MIN.
  - DIELECTRIC STRENGTH: 1,000 V RMS @SEA LEVEL.
  - OPERATING TEMP.: -30°C to 85°C
  - ▲ DENOTES CRITICAL PARAMETER.
  - 2002/95/EC (ROHS) COMPLIANT



E	21901	PANEL MNT. DIM. TO 4.55 x Ø 4.95	7/14/15	MW
D	20026	CORRECT PANEL MOUNT DETAIL	06/23/11	BMA
C	19997	UPDATE DRAWING	06/14/11	BMA
B	14762	REVISED AND REDRAWN	03/10/05	AR
REV	PCR NO	DESCRIPTION	DATE	BY

THE INFORMATION CONTAINED IN THIS DOCUMENT IS PROPRIETARY TO E-SWITCH AND IS NOT TO BE COPIED OR TRANSFERRED



TITLE 800SP9B6M1QE

SCALE	DATE	DR	DWG	REV
2:1	6/14/2011	BMA	T811052	E