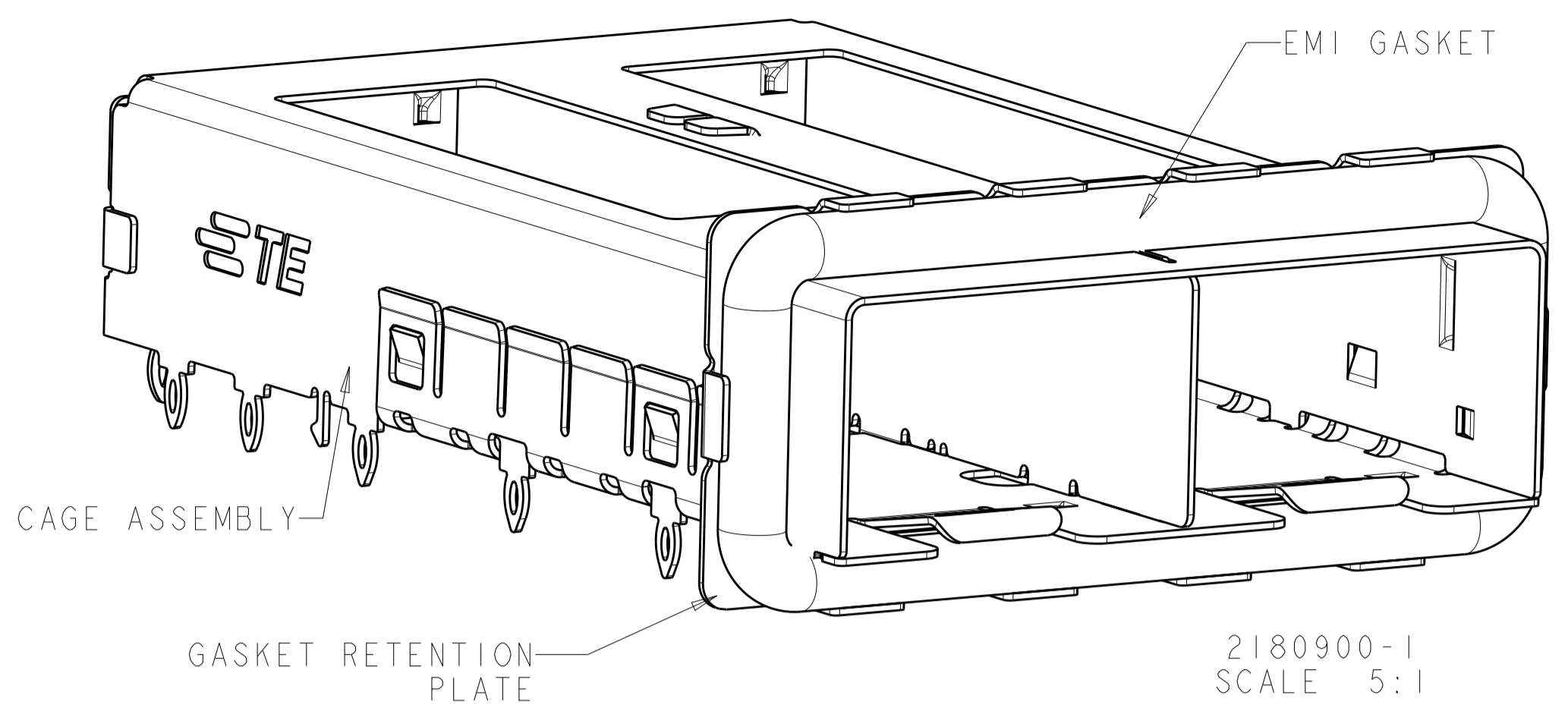
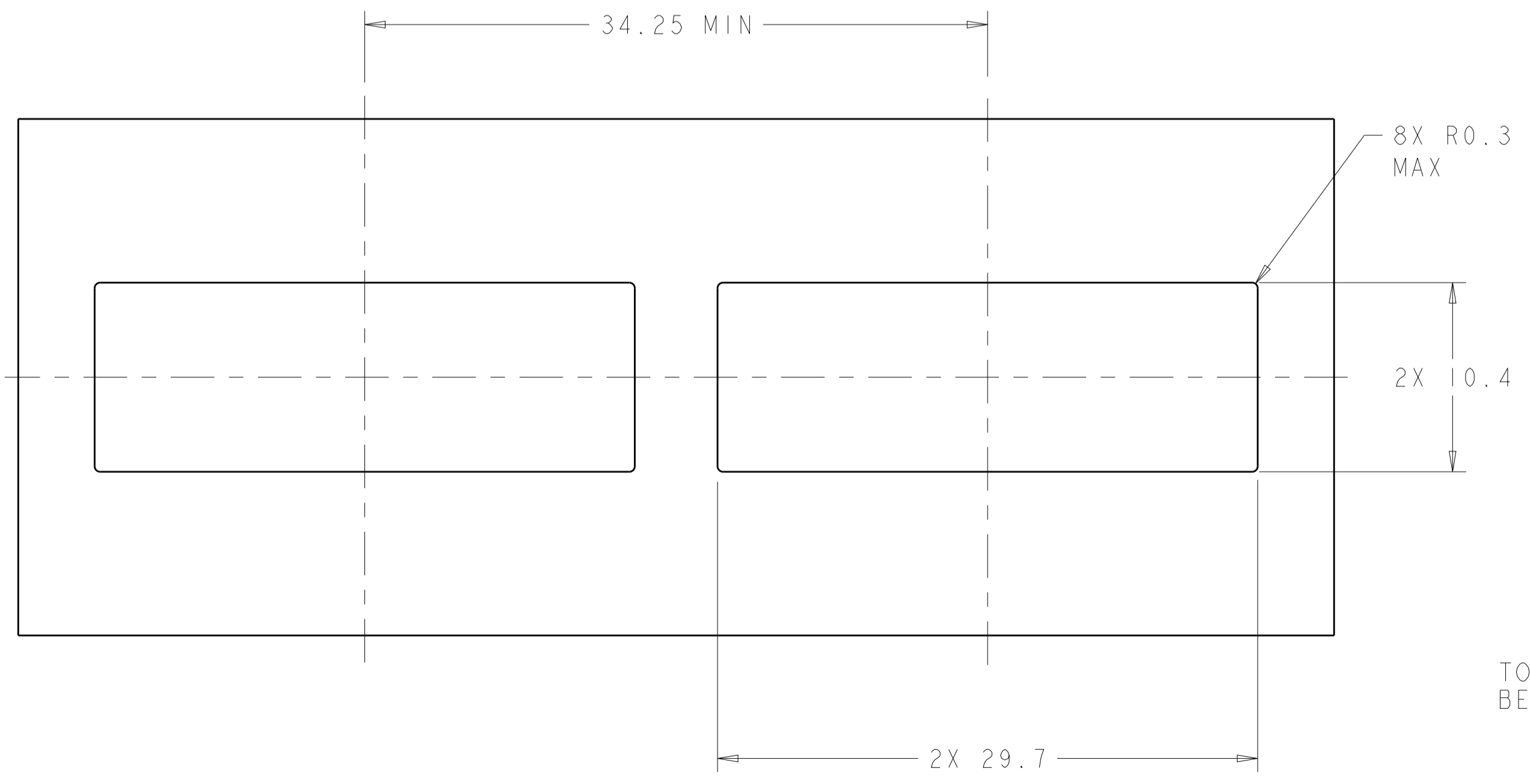
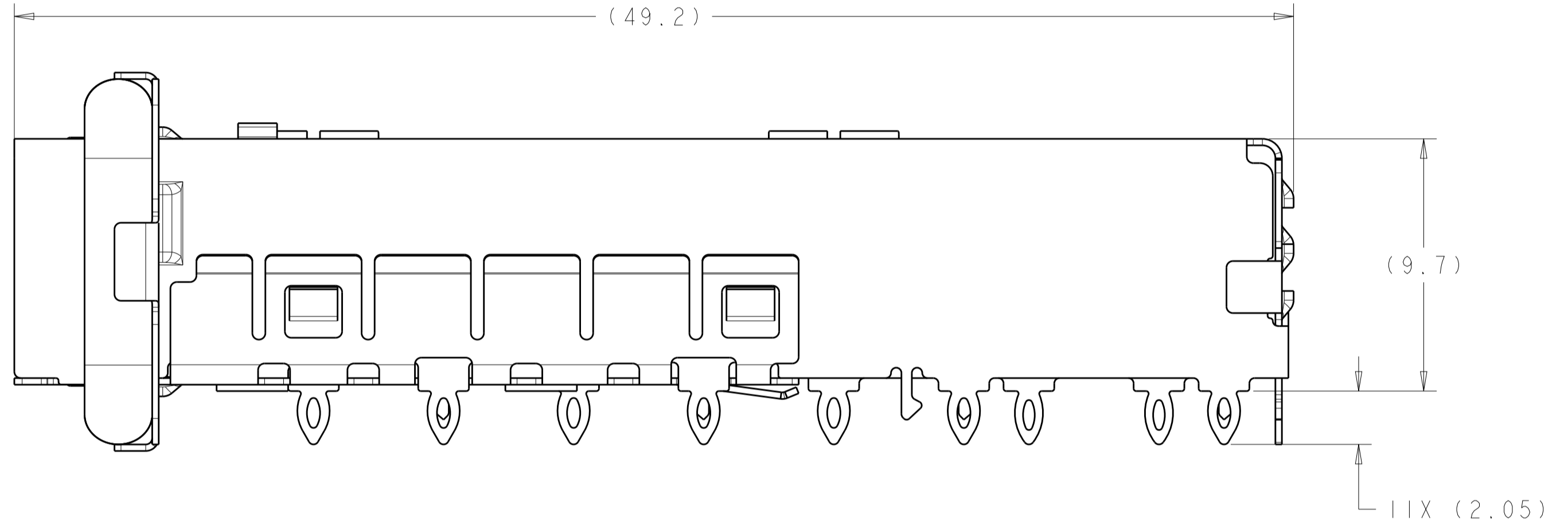
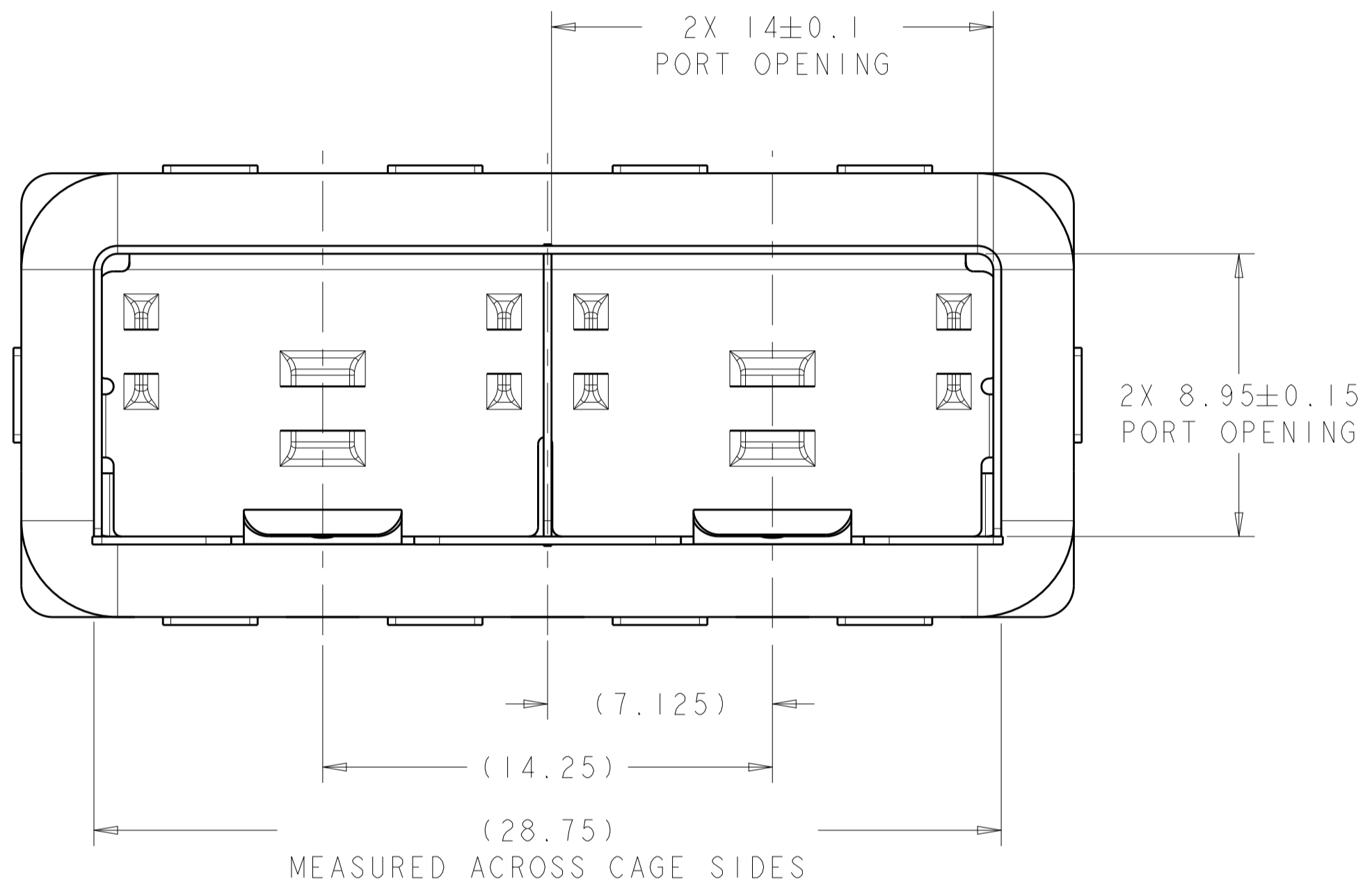


LOC	DIST	REVISIONS					
GP	00	P	LTN	DESCRIPTION	DATE	DWN	APVD
		A		RELEASED PER ECO-12-013192	04SEP2012	BMM	MRS

- 1 MATERIAL:
 CAGE ASSEMBLY: 0.25mm THICK NICKEL SILVER ALLOY
 GASKET RETENTION PLATE: STAINLESS STEEL
 EMI GASKET: PLATED FILLED SILICONE
- 2 DATUM AND BASIC DIMENSIONS ESTABLISHED BY CUSTOMER.
- 3. MATES WITH SFP MSA COMPLIANT RECIEVERS.
- 4 PADS AND VIAS CHASSIS GROUND.
- 5. INTERPRETATION OF DATUM REFERENCE FRAME IN ACCORDANCE WITH SECT 4.4.1.1 OR ASME Y14.5M-1994.
- 6 MINIMUM PC BOARD THICKNESS:
 SINGLE SIDED: 1.5mm
- 7 HOLE PATTERN REPEATS FOR EACH PORT, SPACING BETWEEN PORTS IS 14.25mm.
- 8 REFERENCE APPLICATION SPEC. 114-13120, HOLE A, FOR RECOMMENDED DRILL HOLE DIAMETER AND PLATING THICKNESS.
- 9 REFERENCE APPLICATION SPEC. 114-13120, HOLE B, FOR RECOMMENDED DRILL HOLE DIAMETER AND PLATING THICKNESS.
- 10. CERTAIN MATING TRANCEIVERS MAY REQUIRE ADDITIONAL PCB THICKNESS THAT WOULD NEED TO BE DETERMINED BY THE CUSTOMER.

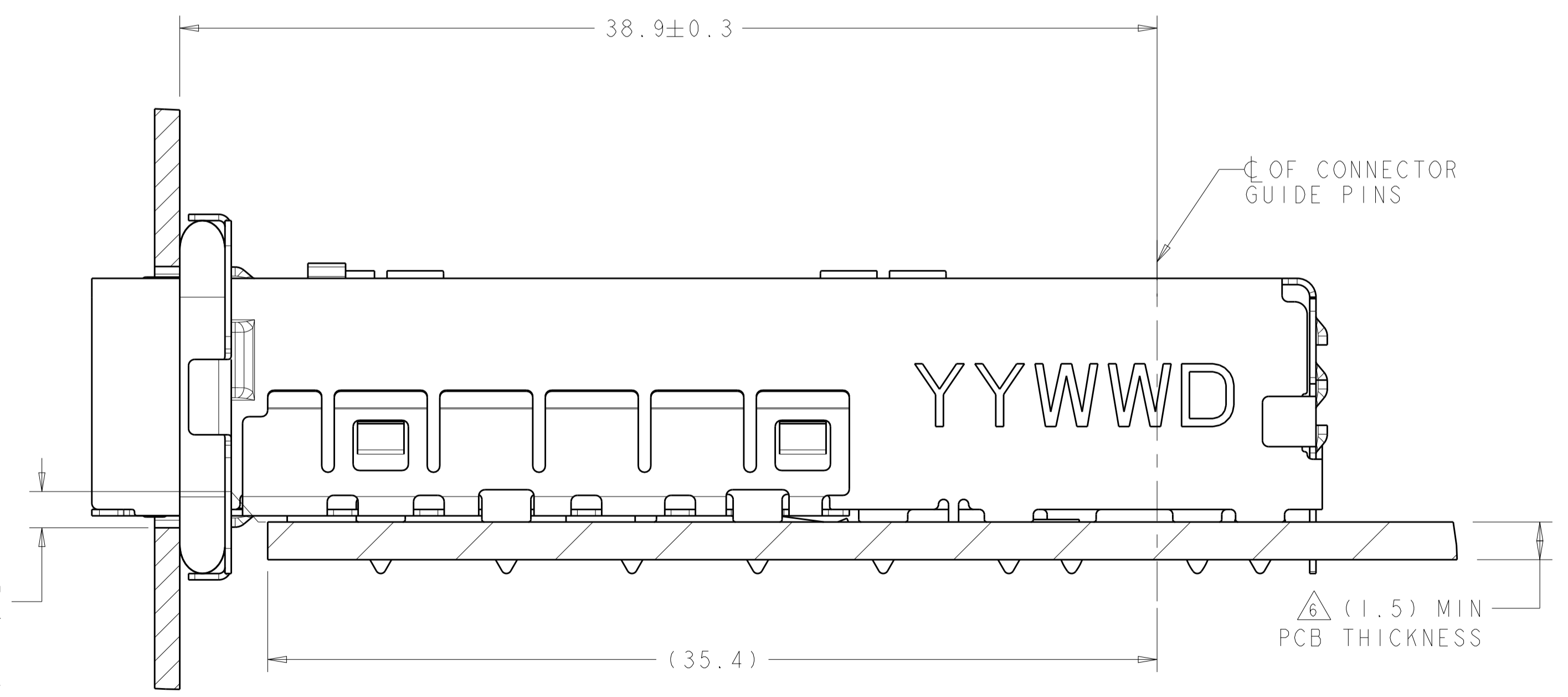


2180900-1
SCALE 5:1



RECOMMENDED BEZEL CUT-OUT
SINGLE SIDED APPLICATIONS
SCALE 4:1

0.23^{+0.10}_{-0.14}
TOP OF PCB
TO INSIDE OF
BEZEL CUTOUT



2180900-1
MOUNTED ON PC BOARD
SHOWN THRU RECOMMENDED BEZEL

THIS DRAWING IS A CONTROLLED DOCUMENT.		DWN: B MATTHEWS 20 JUL 2011		PRELIMINARY SEP+ ENHANCED 1X2 CAGE ASSEMBLY, PRESS-FIT, EMI GASKET
DIMENSIONS:		CHK: M SCHWITZ 20 JUL 2011		
TOLERANCES UNLESS OTHERWISE SPECIFIED:		APVD: M SCHWITZ 20 JUL 2011		
0 PLC ±0.13 1 PLC ±0.1 2 PLC ±0.08 3 PLC ±0.05 4 PLC ±0.05 ANGLES ±1		NAME: 108-2364		
MATERIAL:		PRODUCT SPEC: 114-13120	SIZE: A1	RESTRICTED TO:
FINISH:		APPLICATION SPEC: 114-13120	WEIGHT: -	SCALE: 6:1
CUSTOMER DRAWING		DATE: 04 SEP 2012	REV: A	SHEET 1 OF 2

