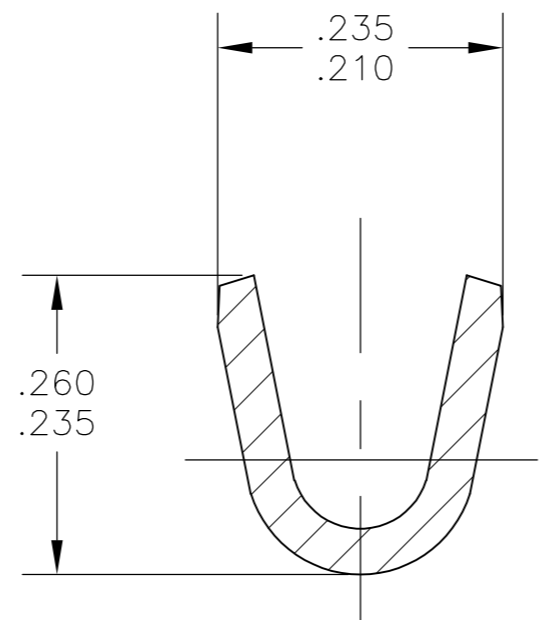
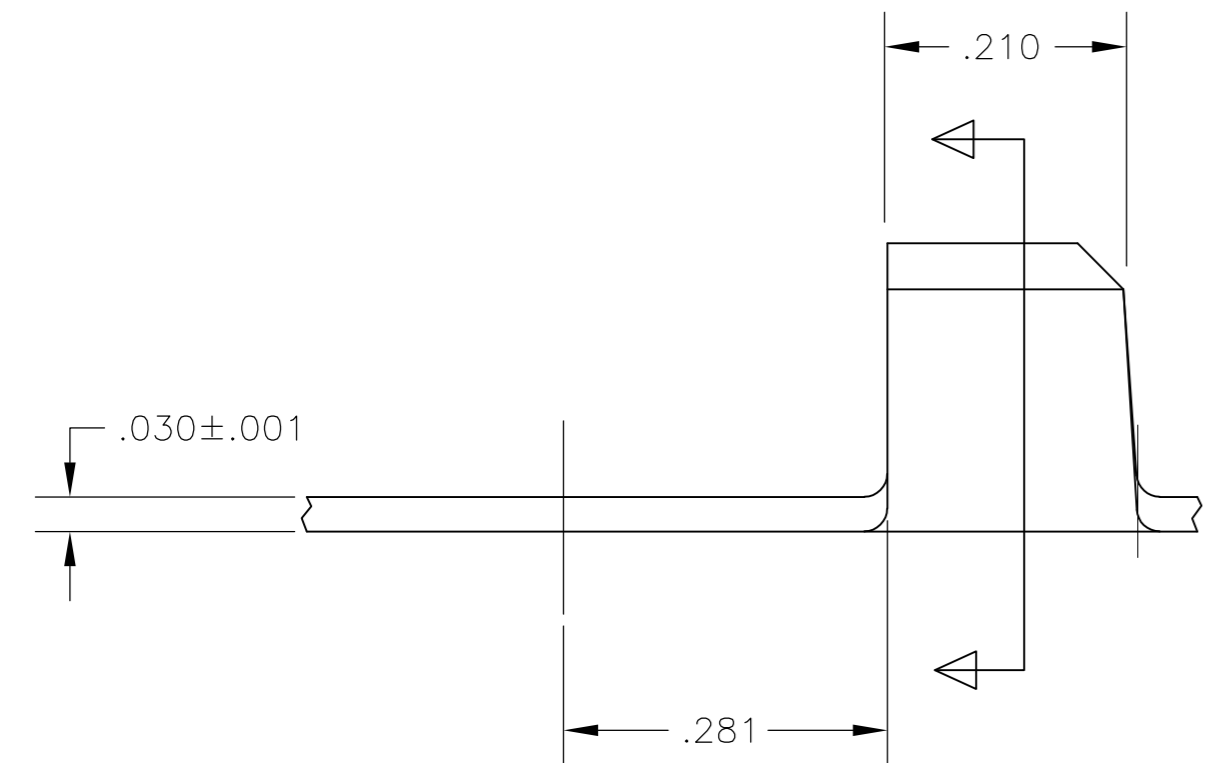
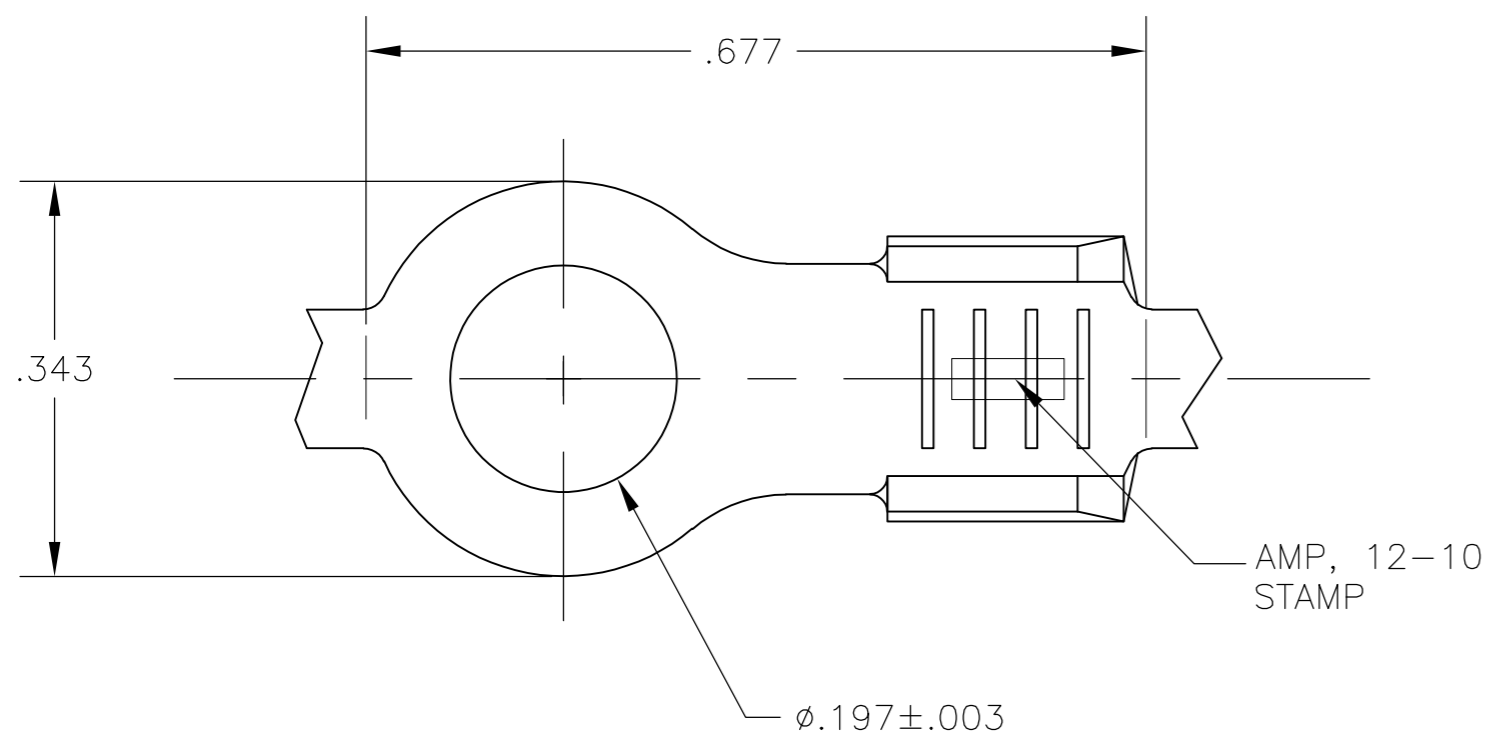


THIS DRAWING IS UNPUBLISHED. RELEASED FOR PUBLICATION
 © COPYRIGHT 64 BY TYCO ELECTRONICS CORPORATION. ALL INTERNATIONAL RIGHTS RESERVED.

LOC	DIST	REVISIONS			
P	LTR	DESCRIPTION	DATE	DWN	APVD
AF	50	P			
		P	REVISED PER ECR-08-008189	24NOV08	HMR DD



- 1 CONTINUOUS STRIP ON REELS.
- 2 TIN PLATING.
- 3 NICKEL PLATING.
- 4 REDUCED PACKAGE QUANTITY.
- 5 PRELIMINARY - NOT FOR PRODUCTION.

WIRE RANGE	FINISH	PART NUMBER
12-10 AWG	2	40696-2
12-10 AWG	3	40696-1
12-10 AWG	2	40696

THIS DRAWING IS A CONTROLLED DOCUMENT.		DWN 14FEB2002 MICHAEL S. FEHER	Tyco Electronics Corporation Harrisburg, PA 17105-3608	
DIMENSIONS: INCHES		CHK 14FEB2002 DONALD F. DECKER	NAME TERMINAL, RING #10 STUD	
TOLERANCES UNLESS OTHERWISE SPECIFIED: 0 PLC ± - 1 PLC ± - 2 PLC ± - 3 PLC ± .010 4 PLC ± - ANGLES ± 1°		APVD 14FEB2002 DONALD F. DECKER	SIZE CAGE CODE DRAWING NO RESTRICTED TO A2 00779 C=40696 -	
MATERIAL O82 BRASS	FINISH SEE TABLE	PRODUCT SPEC -	WEIGHT -	SCALE SHEET REV 6:1 1 of 1 P
CUSTOMER DRAWING				

40696