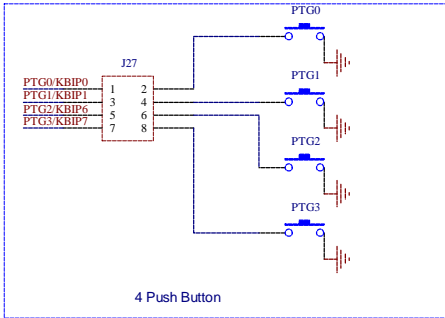
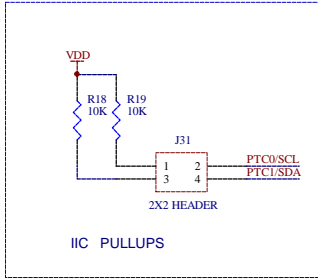


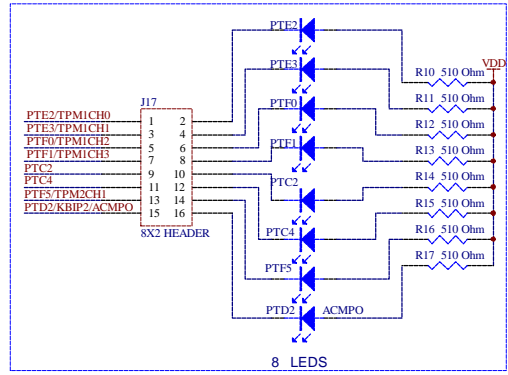
3-axis accelerometer



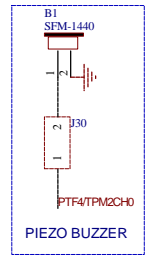
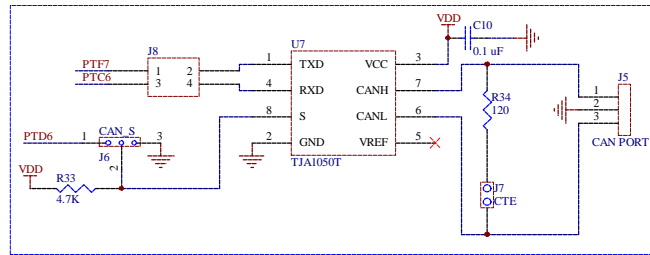
4 Push Button



IIC PULLUPS



8 LEDs



PIEZO BUZZER

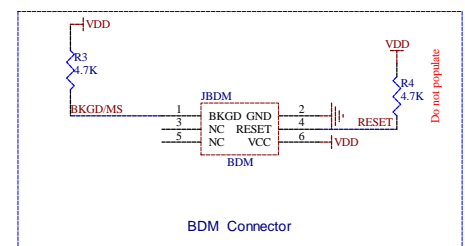
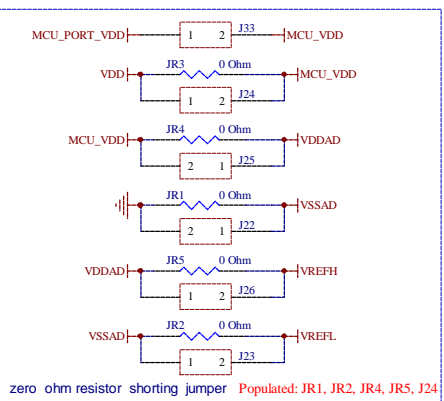
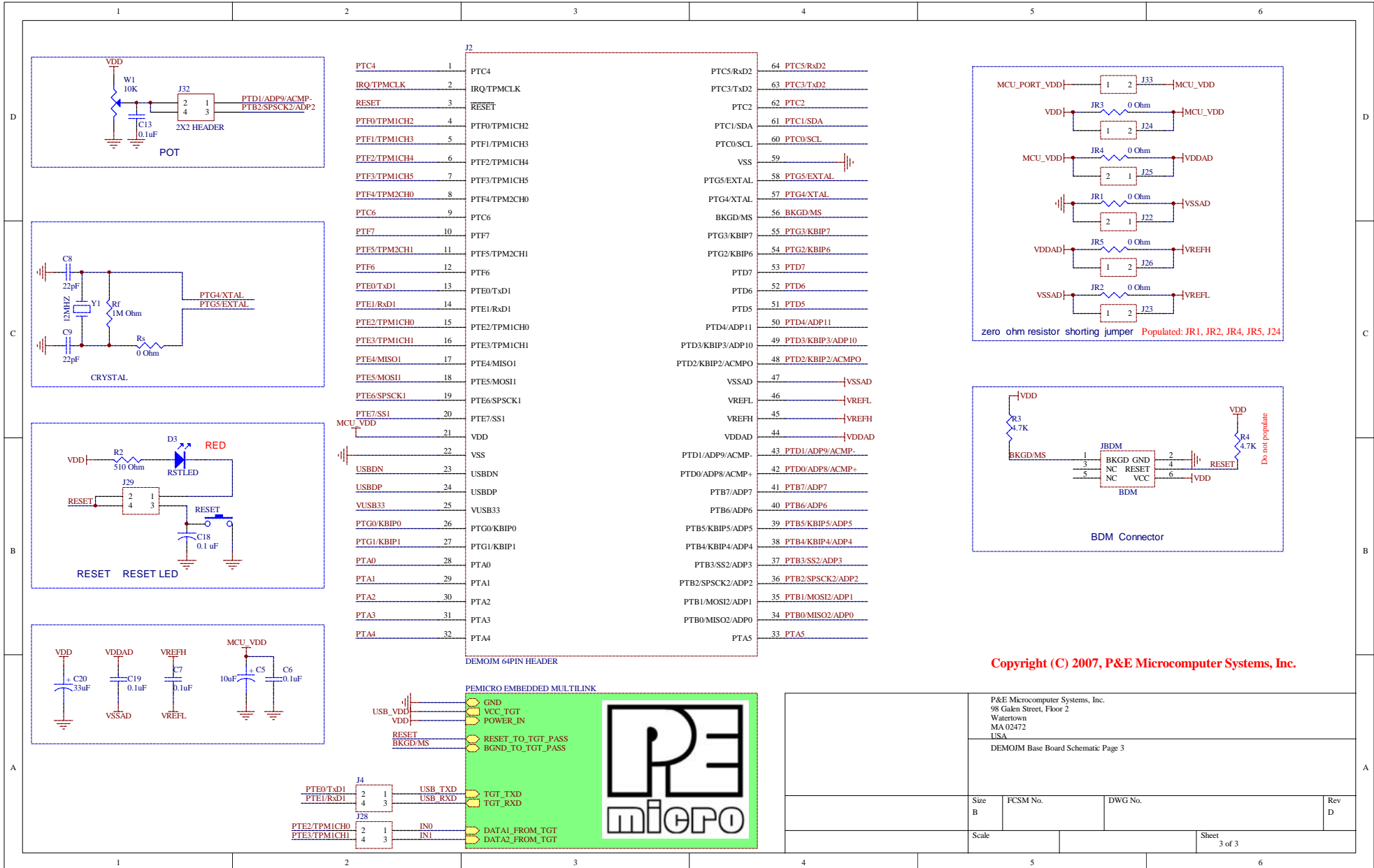
MCU_PORT_VDD	1	VDD	2	IRQ/TPMCLK
	2	VSS	3	RESET
	3	PTB0/TxD1	4	BKGD/MS
	4	PTB1/RxD1	5	BKGB/MS
	5	PTG0/KBIP0	6	VUSB33
	6	PTG1/KBIP1	7	VUSB33
	7	PTB0/MISO2/ADP0	8	PTB0/MISO2/ADP0
	8	PTG2/KBIP2	9	PTB1/MOSI2/ADP1
	9	PTG3/KBIP3	10	PTB2/SPSK2/ADP2
	10	PTB2/TPM1CH0	11	PTB3/SS2/ADP3
	11	PTB3/TPM1CH1	12	PTB4/KBIP4/ADP4
	12	PTB4/SS2/ADP3	13	PTB5/KBIP5/ADP5
	13	PTB5/TPM1CH1	14	PTB6/ADP6
	14	PTB6/SS1	15	PTB7/ADP7
	15	PTB7/TPM1CH2	16	PTC0/SCL
	16	PTB8/SS1	17	PTC0/SCL
	17	PTB8/TPM1CH2	18	PTC1/SDA
	18	PTB9/SS1	19	PTG2/KBIP6
	19	PTB9/TPM1CH3	20	PTG3/KBIP7
	20	PTB10/SS1	21	PTG4/KBIP7
	21	PTB10/TPM1CH3	22	PTF4/TPM2CH0
	22	PTB11/SS1	23	PTF5/TPM2CH1
	23	PTB11/TPM1CH4	24	PTC3/TxD2
	24	PTB12/SS1	25	PTG4/XTAL
	25	PTB12/TPM1CH4	26	PTG5/XTAL
	26	PTB13/SS1	27	PTA0
	27	PTB13/TPM1CH5	28	PTA1
	28	PTB14/SS1	29	PTA2
	29	PTB14/TPM2CH0	30	PTA3
	30	PTB15/SS1	31	PTA4
	31	PTB15/TPM2CH1	32	PTA5
	32	PTC5/RxD2	33	PTA6
	33	PTC6/TxD2	34	PTA7
	34	PTD0/ADP8/ACMP+	35	PTA8
	35	PTD1/ADP9/ACMP-	36	PTA9
	36	PTD2/KBIP2/ACMP0	37	PTA10
	37	PTD3/KBIP3/ADP10	38	PTA11
	38	PTD4/ADP11	39	PTA12
	39	PTD5	40	PTA13
	40	PTD6	41	PTA14
	41	PTD7	42	PTA15
	42	PTC2	43	PTA16
	43	PTC3	44	PTA17
	44	PTC4	45	PTA18
	45	PTC5	46	PTA19
	46	PTC6	47	PTA20
	47	N/C	48	PTA21
	48		49	PTA22
	49		50	PTA23
	50		51	PTA24
	51		52	PTA25
	52		53	PTA26
	53		54	PTA27
	54		55	PTA28
	55		56	PTA29
	56		57	PTA30
	57		58	PTA31
	58		59	PTA32
	59		60	PTA33
	60		61	PTA34

Copyright (C) 2007, P&E Microcomputer Systems, Inc.

P&E Microcomputer Systems, Inc.
98 Galen Street, Floor 2
Watertown
MA 02472
USA

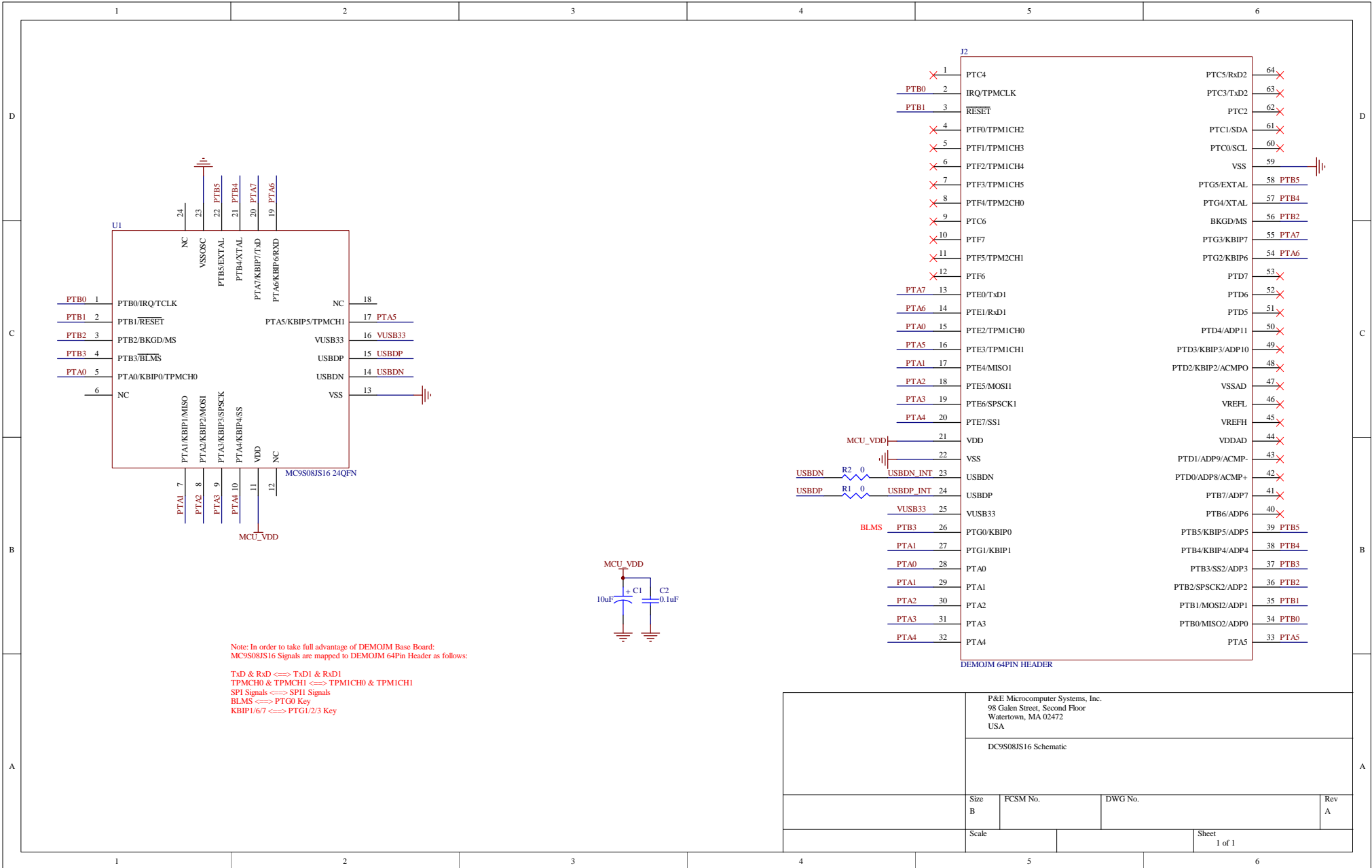
DEMOJIM Base Board Schematic Page 2

Size	B	FCSM No.		DWG No.		Rev	D
Scale						Sheet	2 of 3



Copyright (C) 2007, P&E Microcomputer Systems, Inc.

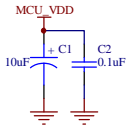
P&E Microcomputer Systems, Inc. 98 Galen Street, Floor 2 Watertown MA 02472 USA		DEMOMM Base Board Schematic Page 3	
Size B	FCSM No.	DWG No.	Rev D
Scale	Sheet 3 of 3		



Note: In order to take full advantage of DEMOJM Base Board:
 MC9S08JS16 Signals are mapped to DEMOJM 64Pin Header as follows:

- TxD & RxD ↔ TxD1 & RxD1
- TPMCH0 & TPMCH1 ↔ TPMICH0 & TPMICH1
- SPI Signals ↔ SP11 Signals
- BLMS ↔ PTG0 Key
- KBIP1/67 ↔ PTG1/2/3 Key

J2		DEMOMJ 64PIN HEADER	
1	PTC4	64	PTC5/RxD2
2	IRQ/TPMCLK	63	PTC3/TxD2
3	RESET	62	PTC2
4	PTF0/TPM1CH2	61	PTC1/SDA
5	PTF1/TPM1CH3	60	PTC0/SCL
6	PTF2/TPM1CH4	59	VSS
7	PTF3/TPM1CH5	58	PTG5/EXTAL
8	PTF4/TPM2CH0	57	PTG4/XTAL
9	PTC6	56	BKGD/MS
10	PTF7	55	PTG3/KBIP7
11	PTF5/TPM2CH1	54	PTG2/KBIP6
12	PTF6	53	PTD7
13	PTE0/TxD1	52	PTD6
14	PTE1/RxD1	51	PTD5
15	PTE2/TPM1CH0	50	PTD4/ADP11
16	PTE3/TPM1CH1	49	PTD3/KBIP3/ADP10
17	PTE4/MISO1	48	PTD2/KBIP2/ACMPO
18	PTE5/MOSI1	47	VSSAD
19	PTE6/SPSCK1	46	VREFAD
20	PTE7/SS1	45	VREFH
21	VDD	44	VDDAD
22	VSS	43	PTD1/ADP9/ACMP-
23	USBBDN	42	PTD0/ADP8/ACMP+
24	USBBDP	41	PTB7/ADP7
25	VUSB33	40	PTB6/ADP6
26	BLMS	39	PTB5/KBIP5/ADP5
27	PTA1	38	PTB4/KBIP4/ADP4
28	PTA0	37	PTB3/SS2/ADP3
29	PTA1	36	PTB2/SPSCK2/ADP2
30	PTA2	35	PTB1/MOSI2/ADP1
31	PTA3	34	PTB0/MISO2/ADP0
32	PTA4	33	PTA5



P&E Microcomputer Systems, Inc. 98 Galen Street, Second Floor Watertown, MA 02472 USA			
DC9S08JS16 Schematic			
Size B	FCSM No.	DWG No.	Rev A
Scale	Sheet		1 of 1