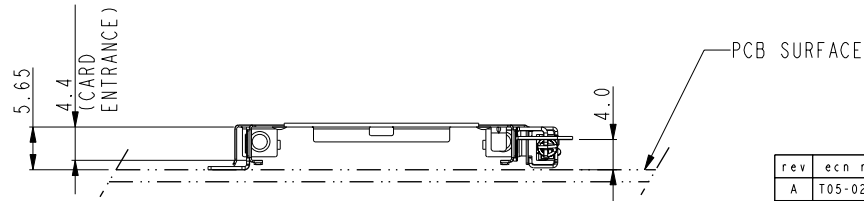
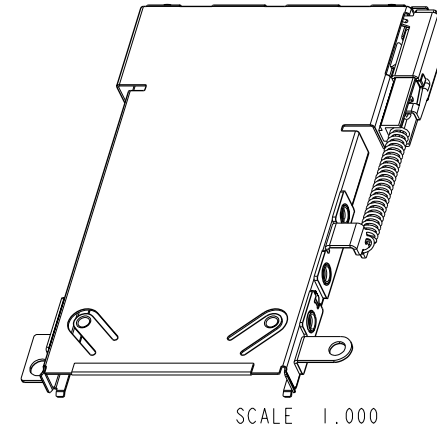
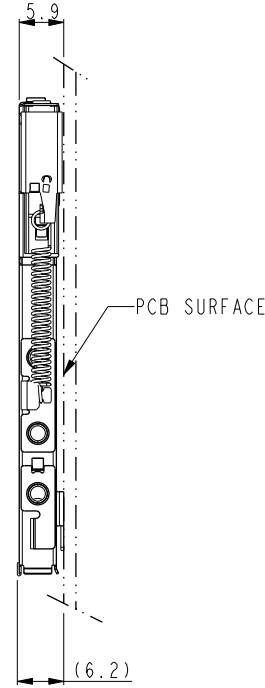
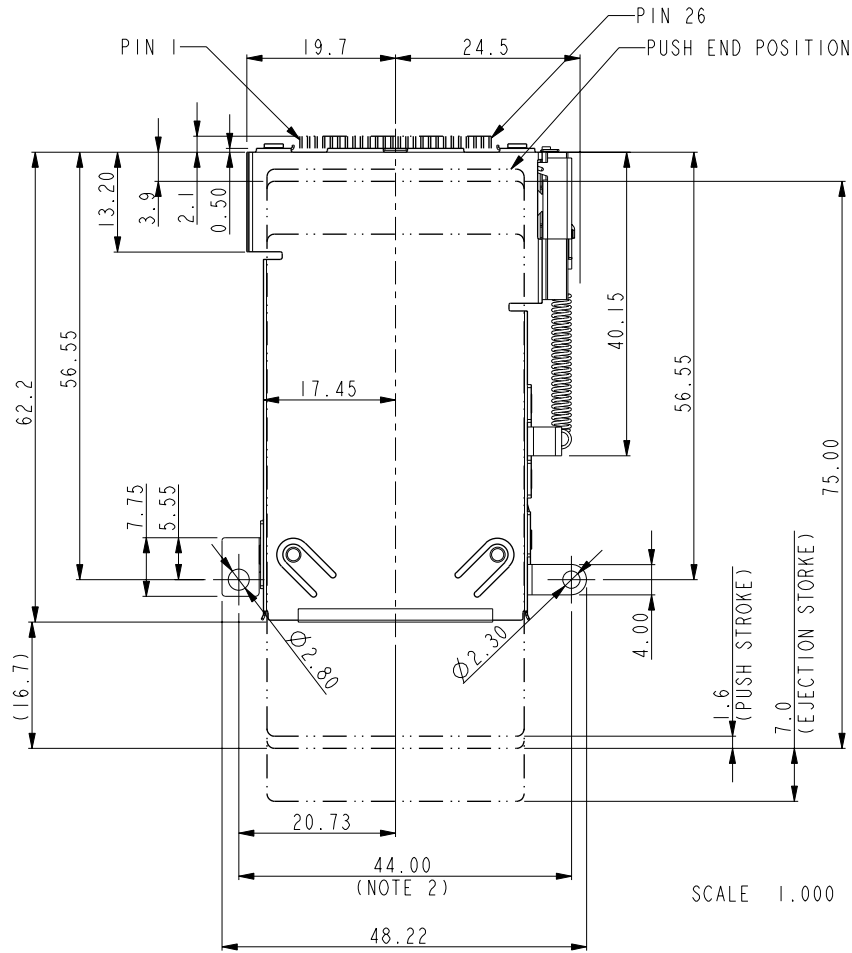


Tous droits strictement réservés. Reproduction ou communication à des tiers interdite sous quelque forme que ce soit sans autorisation écrite du propriétaire. Propriété de FCI. Droits de reproduction FCI.

A
FCI

All rights strictly reserved. Reproduction or issue to third parties in any form whatever is not permitted without written authority from the proprietor. Property of FCI. Copyright FCI.



rev	ecn no	dr	date
A	T05-0222	TAI	09/26/05
B	T05-0244	TAI	10/28/05
-	-	-	-
-	-	-	-
-	-	-	-
-	-	-	-

A FCI		www.fciconnect.com		tolerance ASME Y14.5	projection MM	size A4	Scale 1.000
Dr	KENNY TAI	07/22/05	Product family	*	ECN	T05-0244	Rev. B
Eng	KENNY TAI	07/22/05	Spec ref				
Chr	KENNY TAI	07/22/05	Material	dwg no 10058523		sheet 1 of 2	
Appr	PAUL WANG	07/22/05	title TOP MOUNT, CARD PUSH EXPRESSCARD HOST MECH.		CUSTOMER		
catalog no		10058523		STATUS: Released		Printed: Nov 17, 2005	

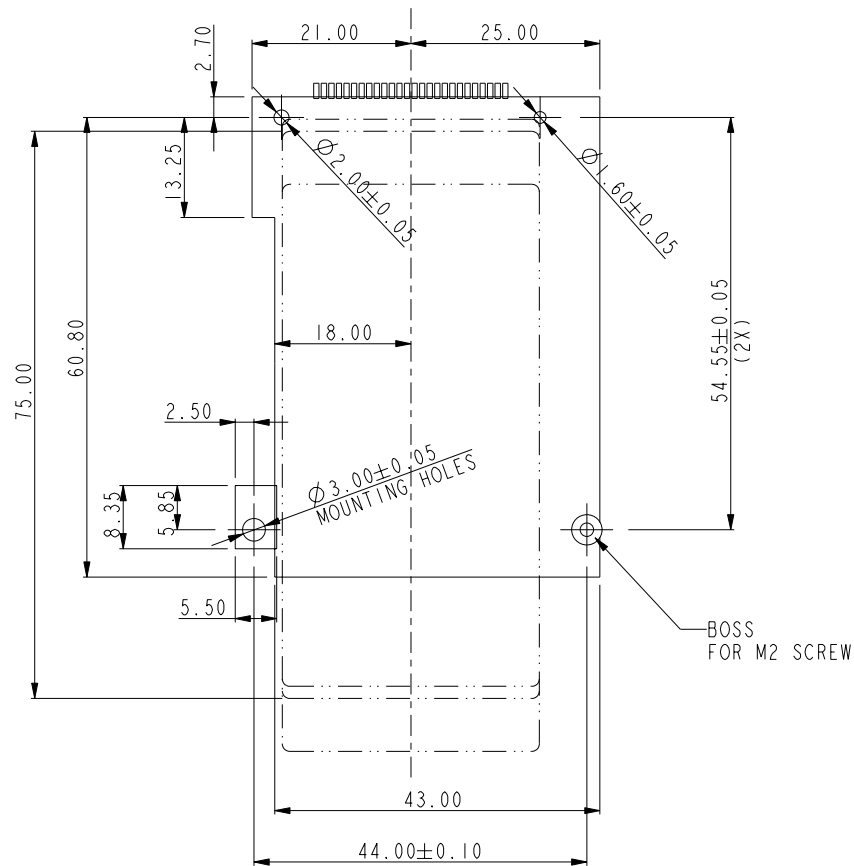
tolerance unless otherwise specified	
linear	.X ± .5
	.XX ± .30
angles	0° ± 2°



Tous droits strictement reserves. Reproduction ou communication a des tiers interdite sous quelque forme que ce soit sans autorisation ecrite du proprietaire. Propriete de FCI. Droits de reproduction FCI.

All rights strictly reserved. Reproduction or issue to third parties in any form whatever is not permitted without written authority from the proprietor. Property of FCI. Copyright FCI.

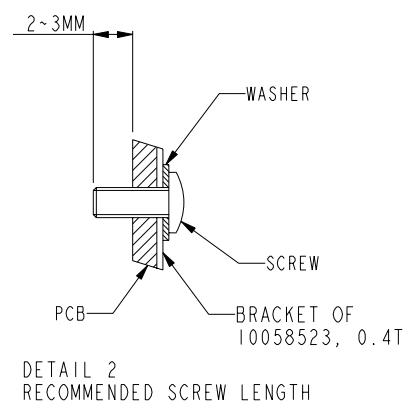
PART NO.	MOUNTING	STAND-OFF	HOST CONN P/N	PRODUCT SPEC.	PACKING SPEC.	CONN. UNMATING FORCE
10058523-00ALF	ABOVE	0MM	10058937-X00AXXLF	GS-12-301	GS-14-295	18.5N MAX.



NO MOUNTING PART AREA

- NOTE:
- 2 M2*0.4P SCREWS WITH WASHER ARE REQUIRED.
 - SHOW DIMENSION AFTER FASTENED TO PCB.
 - SEE HOST CONNECTOR DRAWINGS FOR PCB LAYOUT DETAIL.
 - RECOMMENDED TIGHTING TORQUE 1.6~1.8 KGF-CM.
 - SEE DETAIL 2 FOR RECOMMENDED SCREW LENGTH.

SCALE 1.000



title	TOP MOUNT, CARD PUSH EXPRESSCARD HOST MECH.	dwg no	10058523	Rev.	B
catalog no	10058523	CUSTOMER	sheet 2 of 2		