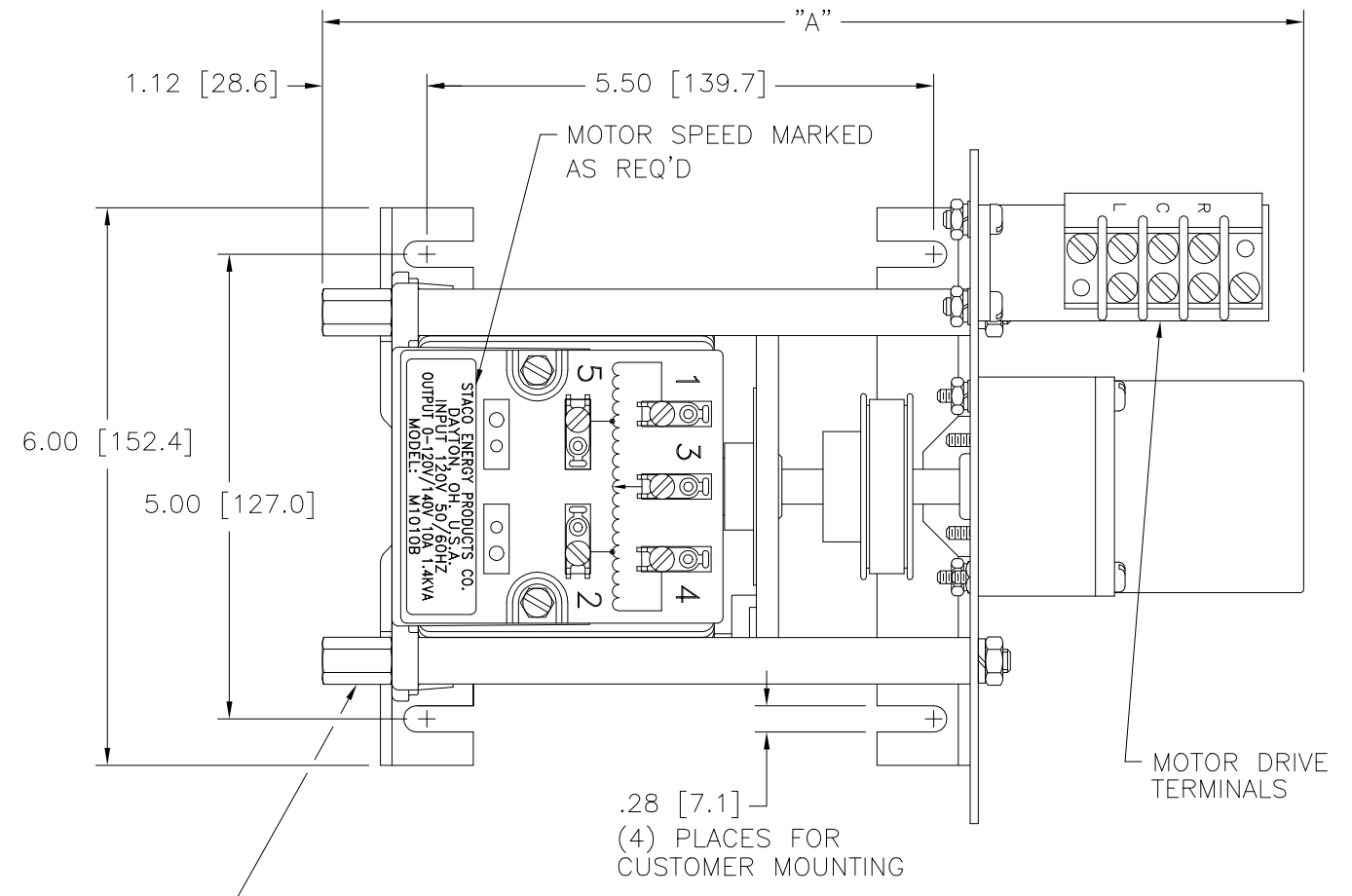
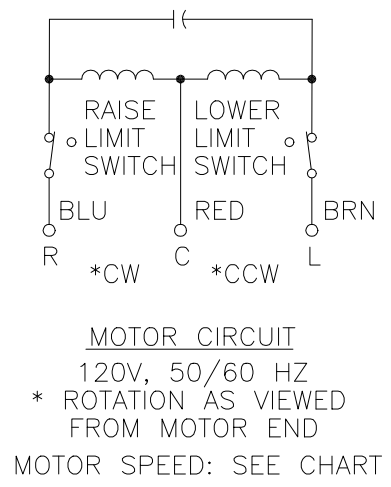
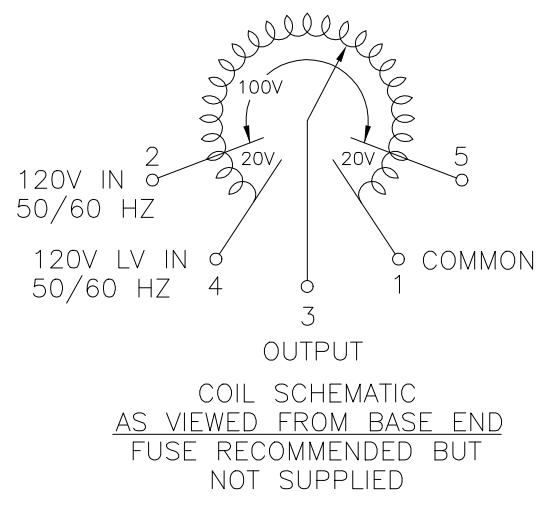


OPTIONAL TERMINALS FOR PUSH ON OR SOLDER CONNECTIONS (.032 X .250) [0.8 X 6.4]



(4) STANDOFFS TAPPED 1/4-28 X .38 [9.5] DEEP FOR MOUNTING BOLTS



+ MOTOR DRIVEN UNITS USE TERMINAL CONNECTIONS FOR CCW INCREASING VOLTAGE, AS VIEWED FROM BASE END.

WIRING	INPUT		OUTPUT				SHAFT ROTATION TO INCREASE VOLTAGE	TERMINAL CONNECTIONS			
	VOLTS	HERTZ	VOLTS	CONSTANT CURRENT LOAD		CONSTANT IMPEDANCE LOAD		FOR INCREASING VOLTAGE AS VIEWED FROM BASE END +			
				MAX. AMPS	MAX. KVA	MAX. AMPS		MAX. KVA	INPUT	JUMPER	OUTPUT
SINGLE PHASE	120	50/60	0-120	10	1.2	13	1.56	CW	1-4	---	4-3
			0-140	10	1.4	---	---	CCW	1-4	---	1-3
								CW	4-5	---	4-3
								CCW	2-1	---	1-3

SPEED (SECONDS)	MODEL NUMBER	DIM "A"
5	5M1010B	10.56 [268.2]
15	15M1010B	10.56 [268.2]
30	30M1010B	10.95 [278.1]
60	60M1010B	10.95 [278.1]

UNLESS OTHERWISE SPECIFIED, TOLERANCE IS # DECIMALS .06 .002 .005
 Holes .002
 Angles 1°
 Draft 1-1/2°
 UNITS IN [mm]
 ALL DIMENSIONS APPLY AFTER PLATING

TITLE: SPEC. CONTROL DRAWING
 MOTORIZED VARIABLE XFMR
 MODEL: M1010B

DRAWN BY S.A. SMITH DATE 9/18/97
 CHECKER DATE
 ENGINEER DATE

FIRST USED ON 9/18/97
 DO NOT SCALE DWG.
 WEIGHT APPROX. 16.75
 SCALE 1=1

CUSTOMER APPROVAL DATE
 CODE IDENT. NO. 83008
 SHEET 1 OF 1

DWG. NO. 031-1710