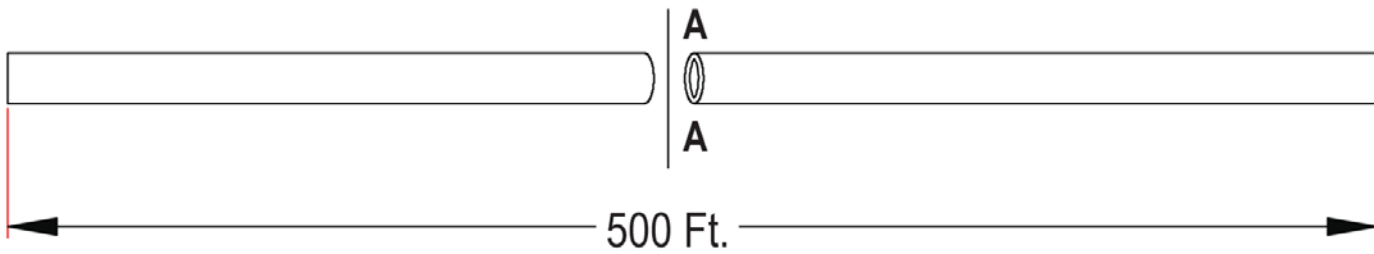


A



A

B

B

C

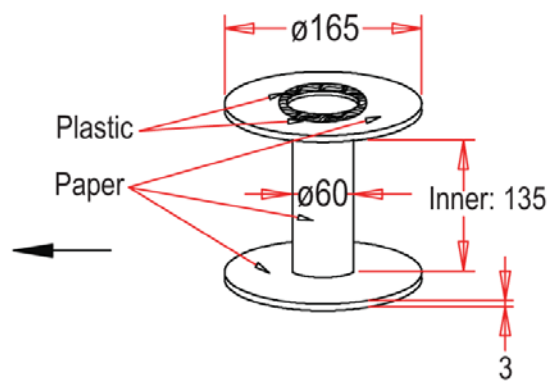
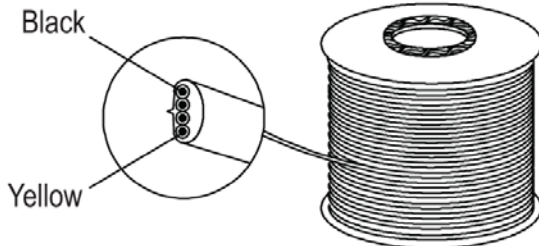
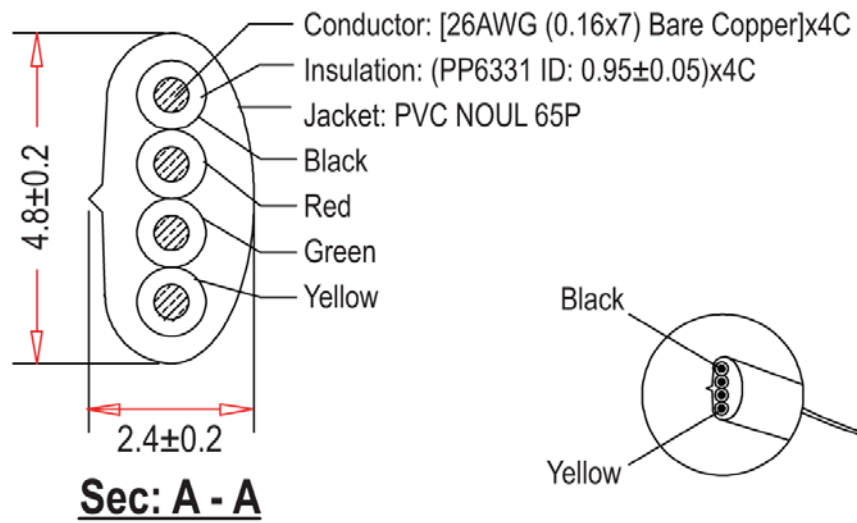
C

D

D

E

E



500Ft/R. "PE" Foam Wrapped

Unit: MM

G

G

H

H



Scale	1:1					Name	Item No.
TOLERANCE					Drawn	12.19.11	AT-K-26-4-B/500
X.X	±0.40				Approved	Chappell	
X.XX	±0.25						Title Modular Straight cable - Raw, 4 Contact, 26AWG, Black, 500Ft.
X.XXX	±0.15						
Angle	±3°						Drawing No.
							rev00
							Replace
							Sheet
			Modification	Date	Name		

