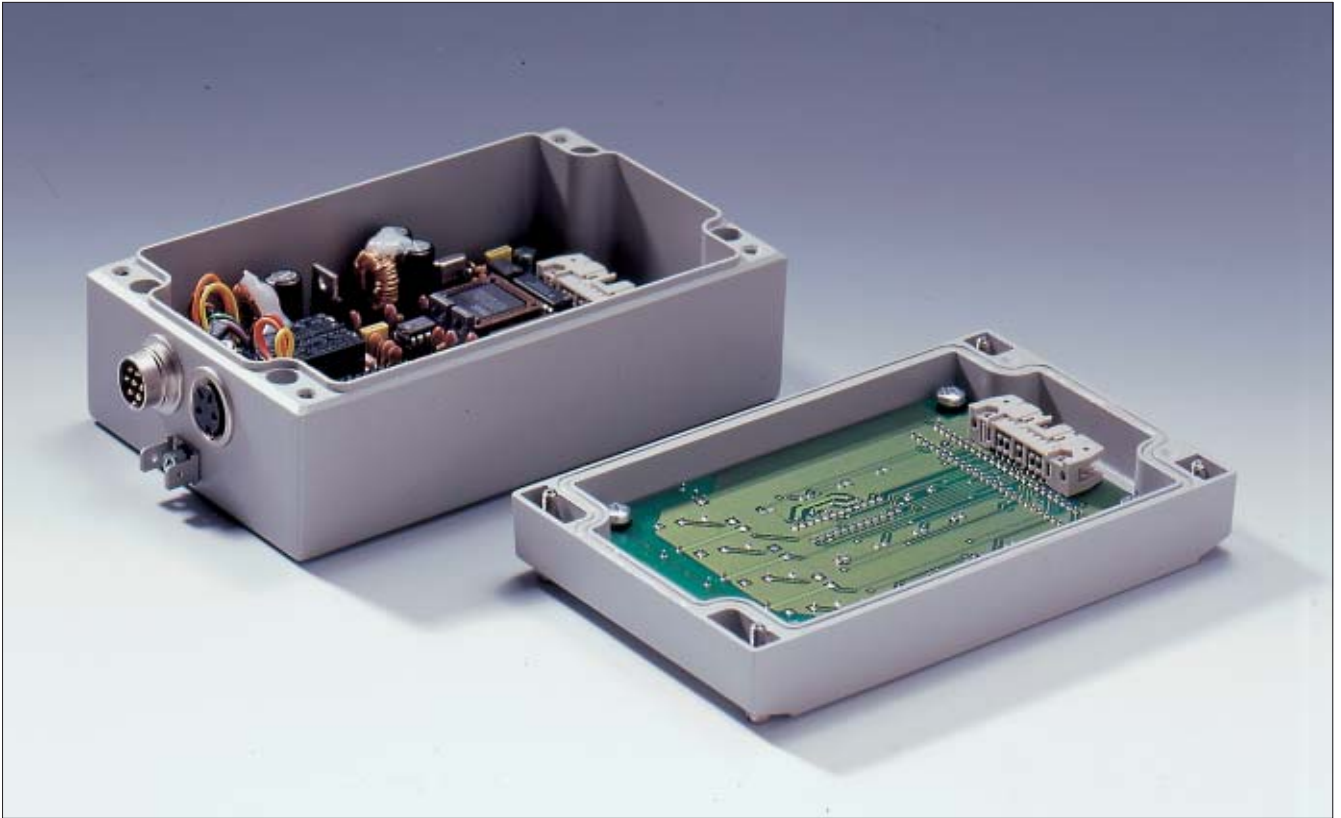


Applications





- Aluminium diecast enclosure for MCR and automation engineering
- Prepared for acceptance for front membranes and keypads
- Rectangular dome sequence in cover and base

Technical Data

Material:
 DIN EN 1706 EN AC-AISI 12 (Fe)

Painting:
 powder coating

Colour:
 RAL 7038, agate grey
 special colour on request

Ingress protection:
 IP 66 to EN 60529
 higher protection on request

Impact resistance:
 7 Joule to EN 60079-0

Temperature range:
 PU (polyurethane) seal (std.): -40°C to +90°C
 CR (chloroprene) seal: -40°C to +100°C
 VMQ (silicone) seal (optional): -60°C to +130°C

Included in delivery

Aluminium diecast enclosure consisting of lid, seal incl. captive +/- stainless steel screws, base with 4 earthing screws

Aluform

Programme range

Order No.	W x L x H (mm)	Mounting plate	DIN rail		External mounting brackets (set = 2 pcs.)
			TS 15	TS 35	
04.08 08 08	80 x 80 x 81	10.01 10 60	10.06 10 03		04.00 00 80
04.08 12 08	80 x 120 x 81	10.01 10 61	10.06 10 50		04.00 00 80
04.10 10 06	100 x 100 x 61	10.01 10 31	10.06 10 07	10.06 14 71	04.00 01 00
04.10 16 06	100 x 160 x 61	10.01 10 32	10.06 10 08	10.06 14 72	04.00 01 00
04.10 20 06	100 x 200 x 61	10.01 10 33	10.06 10 09	10.06 14 73	04.00 01 00
04.12 12 08	120 x 120 x 81	10.01 10 62	10.06 10 50	10.06 14 83	04.00 01 20
04.12 16 08	120 x 160 x 81	10.01 10 63	10.06 10 08	10.06 14 72	04.00 01 20
04.14 14 07	140 x 140 x 71	10.01 10 34	10.06 10 44	10.06 14 74	04.00 01 40
04.14 18 07	140 x 180 x 71	10.01 10 35	10.06 10 05	10.06 14 75	04.00 01 40
04.14 22 07	140 x 220 x 72	10.01 10 36	10.06 10 46	10.06 14 76	04.00 01 40
04.16 16 08	160 x 160 x 81	10.01 10 64	10.06 10 08	10.06 14 72	04.00 01 60
04.16 24 08	160 x 240 x 81	10.01 10 65	10.06 10 51	10.06 14 84	04.00 01 60
04.20 20 07	200 x 200 x 72	10.01 10 37	10.06 10 09	10.06 14 73	04.00 02 00
04.20 28 07	200 x 280 x 72	10.01 10 59	10.06 10 48	10.06 14 81	04.00 02 00

Order No.	DIN rails for terminals		Mounting plate ¹⁾	External mounting brackets pair	External aluminium hinges pair ^{3), 4)}	EMC screening	SWB/SBG/SBGL Corrosion protection	Allen lid screws ²⁾	Silicone lidseal up to +130°C	Sealable lid screws in steel	Lid safety strip
	TS 15	TS 35									
04.08 08 08	•		•	•	•	•	•	•	•	•	•
04.08 12 08	•		•	•	•	•	•	•	•	•	•
04.10 10 06	•	•	•	•	•	•	•	•	•	•	•
04.10 16 06	•	•	•	•	•	•	•	•	•	•	•
04.10 20 06	•	•	•	•	•	•	•	•	•	•	•
04.12 12 08	•	•	•	•	•	•	•	•	•	•	•
04.12 16 08	•	•	•	•	•	•	•	•	•	•	•
04.14 14 07	•	•	•	•	•	•	•	•	•	•	•
04.14 18 07	•	•	•	•	•	•	•	•	•	•	•
04.14 22 07	•	•	•	•	•	•	•	•	•	•	•
04.16 16 08	•	•	•	•	•	•	•	•	•	•	•
04.16 24 08	•	•	•	•	•	•	•	•	•	•	•
04.20 20 07	•	•	•	•	•	•	•	•	•	•	•
04.20 28 07	•	•	•	•	•	•	•	•	•	•	•

¹⁾ Laminated paper

²⁾ Stainless steel

³⁾ Cast aluminium

⁴⁾ Please quote the installation side A-D when ordering

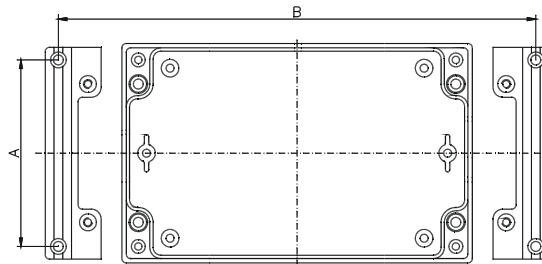
Aluform

Accessories



External mounting brackets (set = 2 pcs.)
for mounting without opening the lid

Order No.	A	B	for Type	Order No.	A	B	for Type
04.00 00 80	65	92	04.08 08 08	04.00 01 40	125	152	04.14 14 07
04.00 00 80	65	132	04.08 12 08	04.00 01 40	125	192	04.14 18 07
04.00 01 00	85	112	04.10 10 06	04.00 01 40	125	232	04.14 22 07
04.00 01 00	85	172	04.10 16 06	04.00 01 60	145	172	04.16 16 08
04.00 01 00	85	212	04.10 20 06	04.00 01 60	145	252	04.16 24 08
04.00 01 20	105	132	04.12 12 08	04.00 02 00	185	212	04.20 20 07
04.00 01 20	105	172	04.12 16 08	04.00 02 00	185	292	04.20 28 07



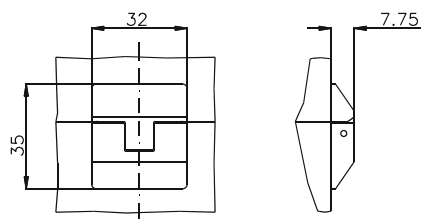
Panel holder
to convert the Aluform enclosure into a multi-functional control terminal
wall or table mounting
sheet steel material; powder coated, RAL 7030, stone grey

Order No.	width	for type
04.30 00 09	98 mm	04.10 10 06
		04.10 16 06
		04.10 20 06
04.30 00 14	138 mm	04.14 14 07
		04.14 18 07
		04.14 22 07



External hinge (set = 2 pcs)

Order No. 04.00 00 10



Accessories



Lid safety strip

set = 2 pcs.

Note: for fastening base has to be manufactured

Order No. **04.00 00 20**

Type: **04.08 08 08**

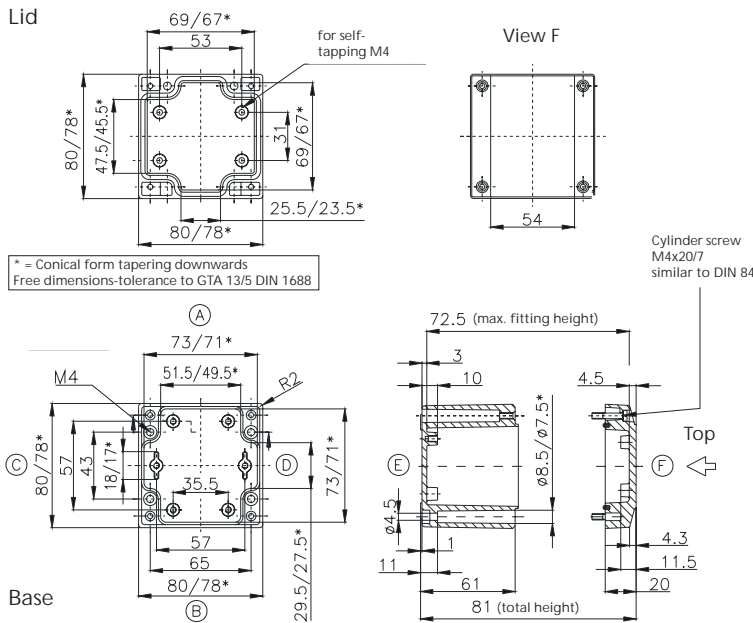
External dimensions: **80 x 80 x 81 mm**

Weight: **700 g**

DIN rail length in mm	max. fitting length in mm	Mounting plate (thickness in mm)	External mounting brackets	External hinge* set	EMC version	SWB / SBGL corrosion protection	Allen lid screws	Silicone lid seal	Sealable lid screws in steel	Lid safety strip
TS 15	63	50	2	•	•	•	•	•	•	•

Maximum number of cable glands to **DIN 50262***

M	Corner dim.	Side		PG	Corner dim.	Side	
		A/B	C/D			A/B	C/D
12	17.25	8	3	7	17.25	8	3
16	25.30	4	2	9	21.85	5	2
20	27.60	3	1	11	25.30	4	2
25	37.95	1	1	13.5	27.60	3	1
32	48.30	1		16	31.05	2	1
40	60.95			21	37.95	1	
50	69.00			29	48.30	1	
63	74.75			36	60.95		
				42	69.00		
				48	74.75		



Type: **04.08 12 08**

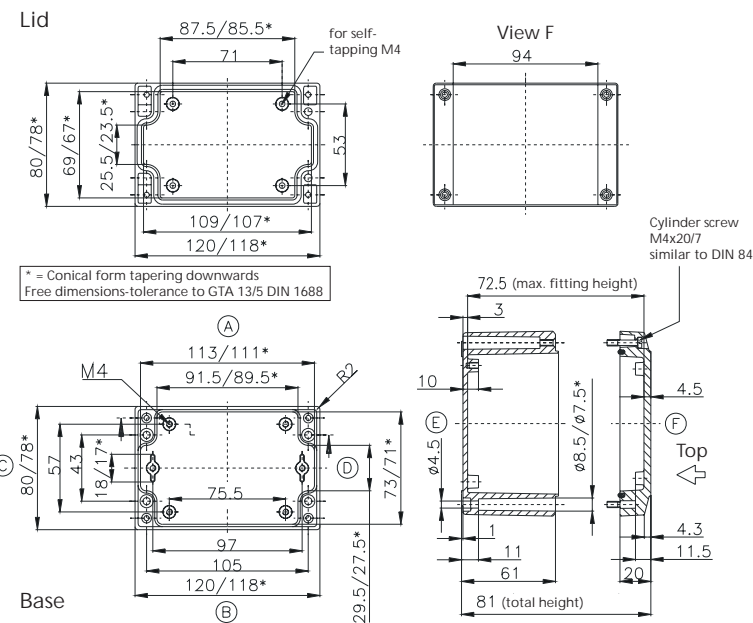
External dimensions: **80 x 120 x 81 mm**

Weight: **650 g**

DIN rail length in mm	max. fitting length in mm	Mounting plate (thickness in mm)	External mounting brackets	External hinge* set	EMC version	SWB / SBGL corrosion protection	Allen lid screws	Silicone lid seal	Sealable lid screws in steel	Lid safety strip
TS 15	107	90	2	•	•	•	•	•	•	•

Maximum number of cable glands to **DIN 50262***

M	Corner dim.	Side		PG	Corner dim.	Side	
		A/B	C/D			A/B	C/D
12	17.25	15	3	7	17.25	15	3
16	25.30	6	2	9	21.85	8	2
20	27.60	5	1	11	25.30	6	2
25	37.95	2	1	13.5	27.60	5	1
32	48.30	2		16	31.05	3	1
40	60.95			21	37.95	2	
50	69.00			29	48.30	2	
63	74.75			36	60.95		
				42	69.00		
				48	74.75		



* Please quote mounting side

Type: **04.10 10 06**

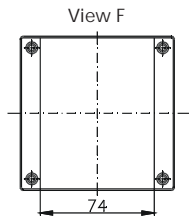
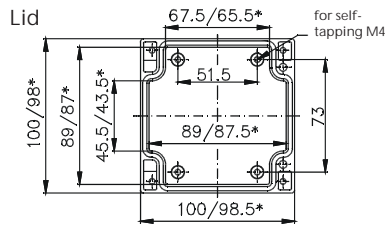
External dimensions: **100 x 100 x 61 mm**

Weight: **650 g**

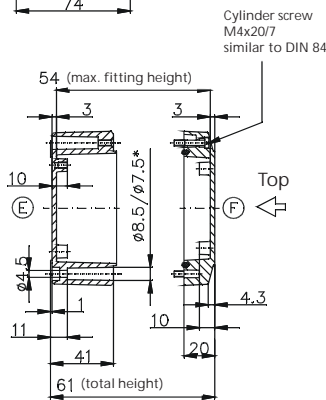
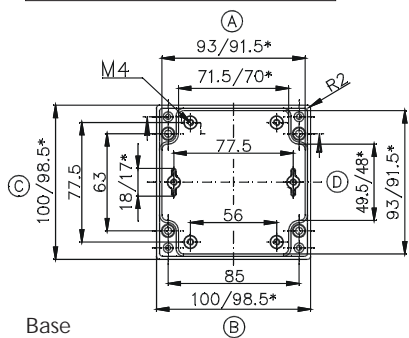
DIN rail length in mm	max. fitting length in mm	Mounting plate (thickness in mm)	External mounting brackets	External hinge* set	EMC version	SWB / SBGL corrosion protection	Allen lid screws	Silicone lid seal	Sealable lid screws in steel	Lid safety strip
TS 15/TS 35										
87.5	70	2	•	•	•	•	•	•	•	•

Maximum number of cable glands to **DIN 50262***

M	Corner dim.	Side		PG	Corner dim.	Side	
		A/B	C/D			A/B	C/D
12	17.25	6	4	7	17.25	5	4
16	25.30	3	2	9	21.85	3	2
20	27.60	2	2	11	25.30	3	2
25	37.95			13,5	27.60	2	2
32	48.30			16	31.05	2	1
40	60.95			21	37.95		
50	69.00			29	48.30		
63	74.75			36	60.95		
				42	69.00		
				48	74.75		



* = Conical form tapering downwards
Free dimensions-tolerance to GTA 13/5 DIN 1688



Cylinder screw M4x20/7 similar to DIN 84

Type: **04.10 16 06**

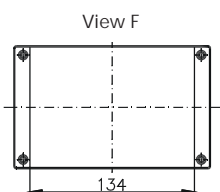
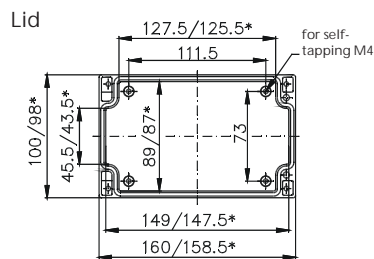
External dimensions: **100 x 160 x 61 mm**

Weight: **820 g**

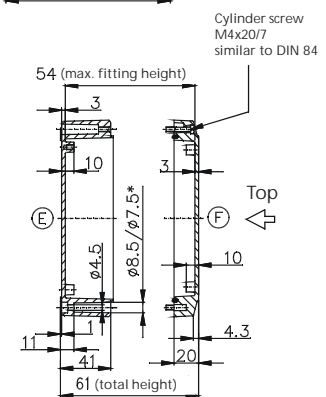
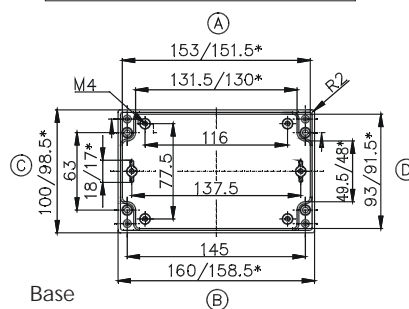
DIN rail length in mm	max. fitting length in mm	Mounting plate (thickness in mm)	External mounting brackets	External hinge* set	EMC version	SWB / SBGL corrosion protection	Allen lid screws	Silicone lid seal	Sealable lid screws in steel	Lid safety strip
TS 15/TS 35										
148	130	2	•	•	•	•	•	•	•	•

Maximum number of cable glands to **DIN 50262***

M	Corner dim.	Side		PG	Corner dim.	Side	
		A/B	C/D			A/B	C/D
12	17.25	11	4	7	17.25	11	4
16	25.30	5	2	9	21.85	6	2
20	27.60	4	2	11	25.30	5	2
25	37.95			13,5	27.60	4	2
32	48.30			16	31.05	4	1
40	60.95			21	37.95		
50	69.00			29	48.30		
63	74.75			36	60.95		
				42	69.00		
				48	74.75		



* = Conical form tapering downwards
Free dimensions-tolerance to GTA 13/5 DIN 1688



Cylinder screw M4x20/7 similar to DIN 84

* Please quote mounting side

Type: **04.10 20 06**

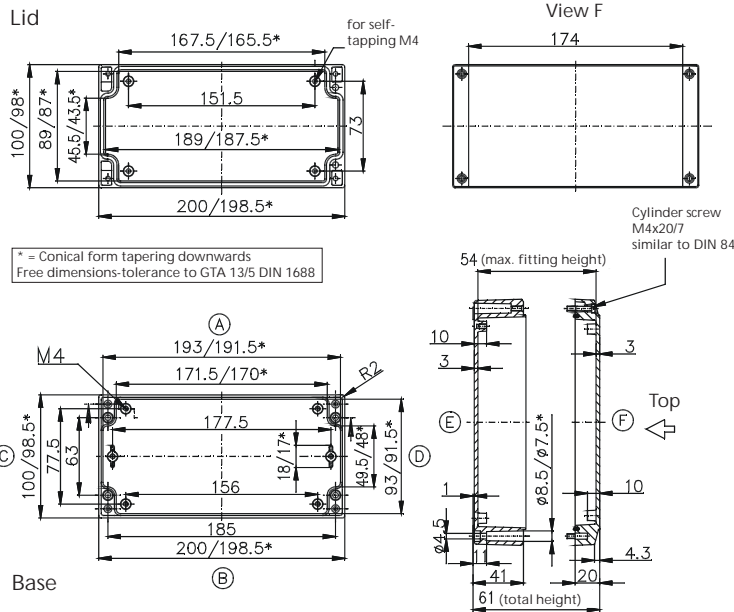
External dimensions: **100 x 200 x 61 mm**

Weight: **840 g**

DIN rail length in mm	max. fitting length in mm	Mounting plate (thickness in mm)	External mounting brackets	External hinge* set	EMC version	SWB / SBGL corrosion protection	Allen lid screws	Silicone lid seal	Sealable lid screws in steel	Lid safety strip
TS 15/TS 35										
188	170	2	•	•	•	•	•	•	•	•

Maximum number of cable glands to **DIN 50262***

M	Corner dim.	Side		PG	Corner dim.	Side	
		A/B	C/D			A/B	C/D
12	17.25	15	4	7	17.25	14	4
16	25.30	7	2	9	21.85	8	2
20	27.60	6	2	11	25.30	7	2
25	37.95			13,5	27.60	6	2
32	48.30			16	31.05	5	1
40	60.95			21	37.95		
50	69.00			29	48.30		
63	74.75			36	60.95		
				42	69.00		
				48	74.75		



Type: **04.12 12 08**

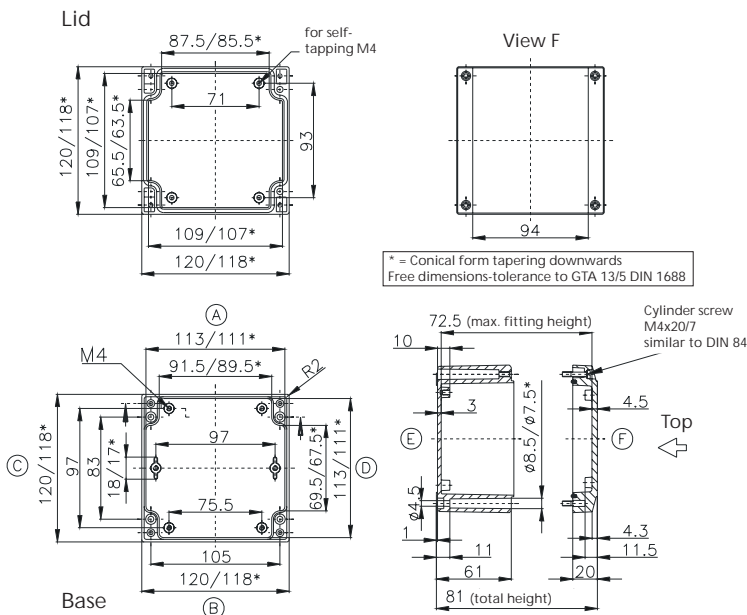
External dimensions: **120 x 120 x 81 mm**

Weight: **880 g**

DIN rail length in mm	max. fitting length in mm	Mounting plate (thickness in mm)	External mounting brackets	External hinge* set	EMC version	SWB / SBGL corrosion protection	Allen lid screws	Silicone lid seal	Sealable lid screws in steel	Lid safety strip
TS 15/TS 35										
107	90	2	•	•	•	•	•	•	•	•

Maximum number of cable glands to **DIN 50262***

M	Corner dim.	Side		PG	Corner dim.	Side	
		A/B	C/D			A/B	C/D
12	17.25	15	11	7	17.25	15	11
16	25.30	6	6	9	21.85	8	6
20	27.60	5	4	11	25.30	6	5
25	37.95	2	2	13,5	27.60	5	4
32	48.30	2	1	16	31.05	3	2
40	60.95			21	37.95	2	2
50	69.00			29	48.30	2	1
63	74.75			36	60.95		
				42	69.00		
				48	74.75		



* Please quote mounting side

Type: **04.12 16 08**

External dimensions: **120 x 160 x 81 mm**

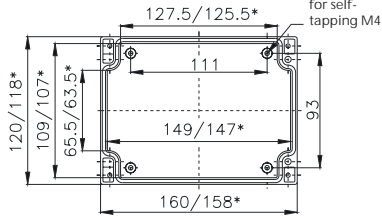
Weight: **830 g**

DIN rail length in mm	max. fitting length in mm	Mounting plate (thickness in mm)	External mounting brackets	External hinge* set	EMC version	SWB / SBGL corrosion protection	Allen lid screws	Silicone lid seal	Sealable lid screws in steel	Lid safety strip
TS 15/TS 35										
148	70	2	•	•	•	•	•	•	•	•

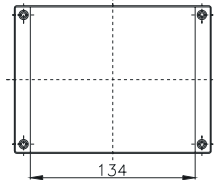
Maximum number of cable glands to *DIN 50262**

M	Corner dim.	Side		PG	Corner dim.	Side	
		A/B	C/D			A/B	C/D
12	17.25	21	11	7	17.25	21	11
16	25.30	10	6	9	21.85	12	6
20	27.60	8	4	11	25.30	10	5
25	37.95	4	2	13,5	27.60	8	4
32	48.30	3	1	16	31.05	5	2
40	60.95			21	37.95	3	2
50	69.00			29	48.30	2	1
63	74.75			36	60.95		
				42	69.00		
				48	74.75		

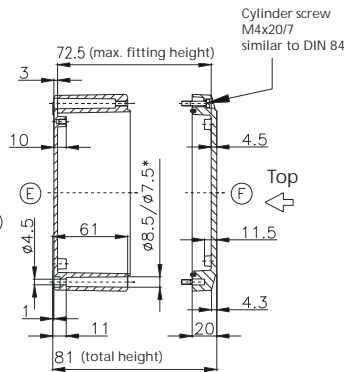
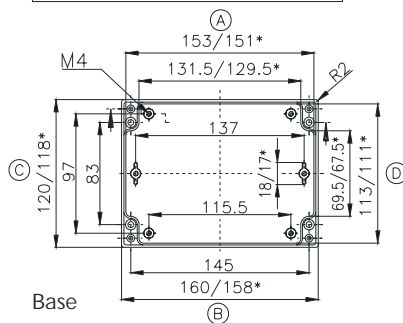
Lid



View F



* = Conical form tapering downwards
Free dimensions-tolerance to GTA 13/5 DIN 1688



Type: **04.14 14 07**

External dimensions: **140 x 140 x 71 mm**

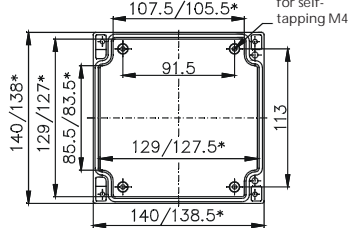
Weight: **800 g**

DIN rail length in mm	max. fitting length in mm	Mounting plate (thickness in mm)	External mounting brackets	External hinge* set	EMC version	SWB / SBGL corrosion protection	Allen lid screws	Silicone lid seal	Sealable lid screws in steel	Lid safety strip
TS 15/TS 35										
126	110	2	•	•	•	•	•	•	•	•

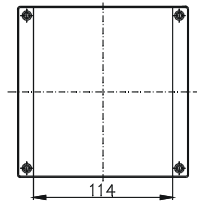
Maximum number of cable glands to *DIN 50262**

M	Corner dim.	Side		PG	Corner dim.	Side	
		A/B	C/D			A/B	C/D
12	17.25	12	10	7	17.25	12	10
16	25.30	5	4	9	21.85	9	7
20	27.60	4	3	11	25.30	5	4
25	37.95	3	2	13.5	27.60	4	3
32	48.30			16	31.05	3	3
40	60.95			21	37.95	3	2
50	69.00			29	48.30		
63	74.75			36	60.95		
				42	69.00		
				48	74.75		

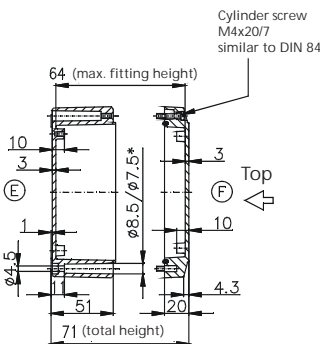
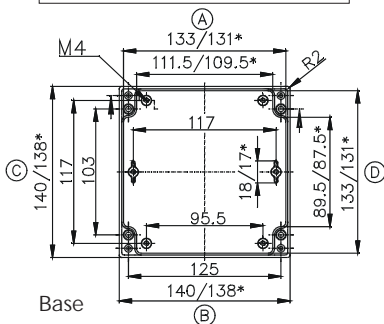
Lid



View F



* = Conical form tapering downwards
Free dimensions-tolerance to GTA 13/5 DIN 1688



* Please quote mounting side

Type: **04.14 18 07**

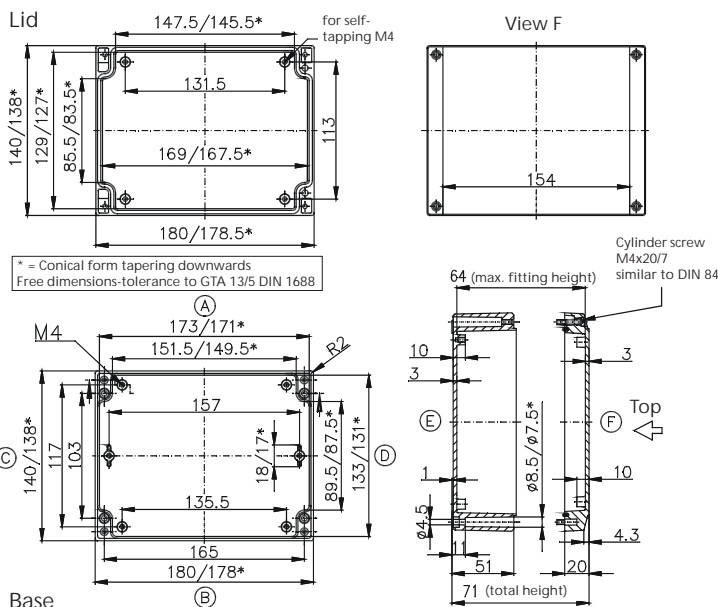
External dimensions: **140 x 180 x 71 mm**

Weight: **1000 g**

DIN rail length in mm	max fitting length in mm	Mounting plate (thickness in mm)	External mounting brackets	External hinge* set	EMC version	SWB / SBG / SBGL corrosion protection	Allen lid screws	Silicone lid seal	Sealable lid screws in steel	Lid safety strip
TS 15/TS 35										
163	150	2	•	•	•	•	•	•	•	•

Maximum number of cable glands to **DIN 50262***

M	Corner dim.	Side		PG	Corner dim.	Side	
		A	C			B	D
12	17.25	17	10	7	17.25	17	10
16	25.30	8	4	9	21.85	13	7
20	27.60	6	3	11	25.30	7	4
25	37.95	4	2	13.5	27.60	6	3
32	48.30			16	31.05	5	3
40	60.95			21	37.95	4	2
50	69.00			29	48.30		
63	74.75			36	60.95		
				42	69.00		
				48	74.75		



Type: **04.14 22 07**

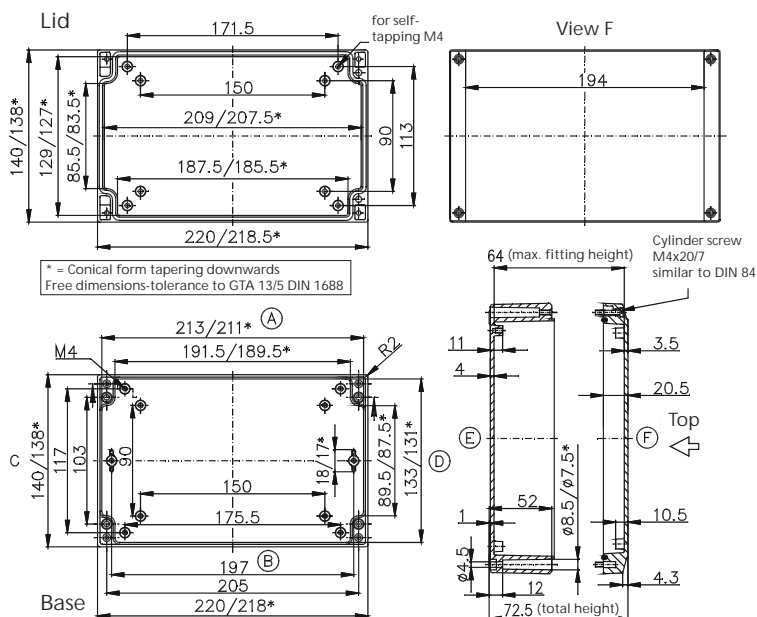
External dimensions: **140 x 220 x 72 mm**

Weight: **1266 g**

DIN rail length in mm	max fitting length in mm	Mounting plate (thickness in mm)	External mounting brackets	External hinge* set	EMC version	SWB / SBG / SBGL corrosion protection	Allen lid screws	Silicone lid seal	Sealable lid screws in steel	Lid safety strip
TS 15/TS 35										
206	190	2	•	•	•	•	•	•	•	•

Maximum number of cable glands to **DIN 50262***

M	Corner dim.	Side		PG	Corner dim.	Side	
		A	C			B	D
12	17.25	22	10	7	17.25	22	10
16	25.30	10	4	9	21.85	16	7
20	27.60	8	3	11	25.30	9	4
25	37.95	5	2	13.5	27.60	8	3
32	48.30			16	31.05	6	3
40	60.95			21	37.95	5	2
50	69.00			29	48.30		
63	74.75			36	60.95		
				42	69.00		
				48	74.75		



* Please quote mounting side

Type: **04.16 16 08**

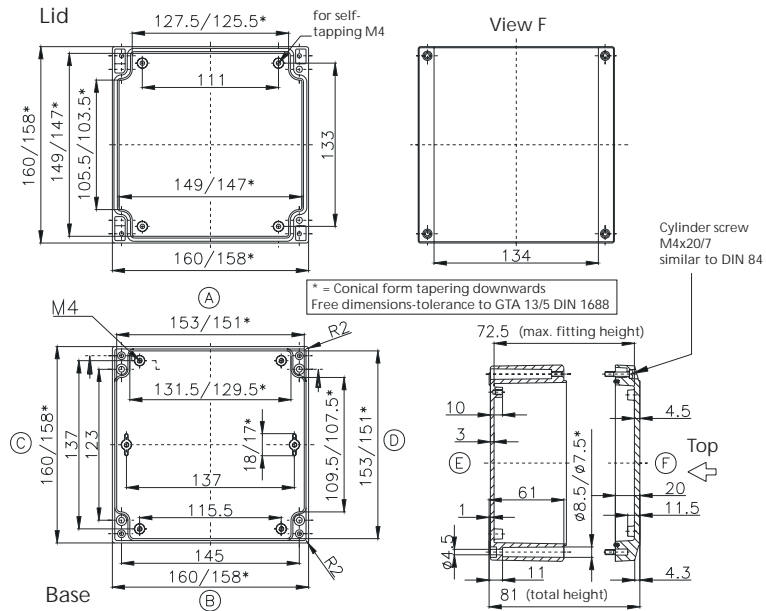
External dimensions: **160 x 160 x 81 mm**

Weight: **1120 g**

DIN rail length in mm	max. fitting length in mm	Mounting plate (thickness in mm)	External mounting brackets	External hinge* set	EMC version	SWB / SBGL corrosion protection	Allen lid screws	Silicone lid seal	Sealable lid screws in steel	Lid safety strip
TS 15/TS 35										
148	130	2	•	•	•	•	•	•	•	•

Maximum number of cable glands to **DIN 50262***

M	Corner dim.	Side		PG	Corner dim.	Side	
		A/B	C/D			A/B	C/D
12	17.25	21	18	7	17.25	21	18
16	25.30	10	8	9	21.85	12	10
20	27.60	8	7	11	25.30	10	8
25	37.95	4	3	13.5	27.60	8	7
32	48.30	3	2	16	31.05	5	4
40	60.95			21	37.95	3	3
50	69.00			29	48.30	2	2
63	74.75			36	60.95		
				42	69.00		
				48	74.75		



Type: **04.16 24 08**

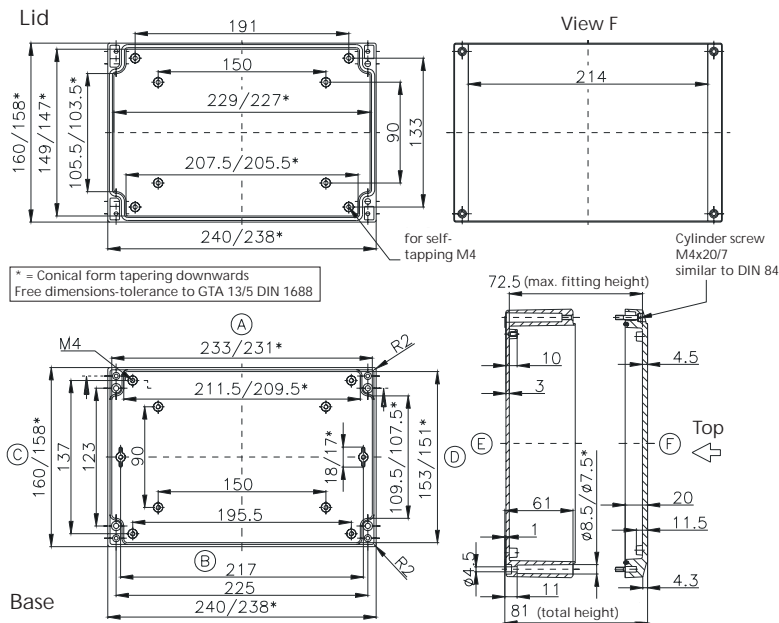
External dimensions: **160 x 240 x 81 mm**

Weight: **1900 g**

DIN rail length in mm	max. fitting length in mm	Mounting plate (thickness in mm)	External mounting brackets	External hinge* set	EMC version	SWB / SBGL corrosion protection	Allen lid screws	Silicone lid seal	Sealable lid screws in steel	Lid safety strip
TS 15/TS 35										
228	210	2	•	•	•	•	•	•	•	•

Maximum number of cable glands to **DIN 50262***

M	Corner dim.	Side		PG	Corner dim.	Side	
		A/B	C/D			A/B	C/D
12	17.25	36	18	7	17.25	36	18
16	25.30	16	8	9	21.85	18	10
20	27.60	14	7	11	25.30	16	8
25	37.95	6	3	13.5	27.60	14	7
32	48.30	4	2	16	31.05	9	4
40	60.95			21	37.95	6	3
50	69.00			29	48.30	4	2
63	74.75			36	60.95		
				42	69.00		
				48	74.75		



* Please quote mounting side

Type: **04.20 20 07**

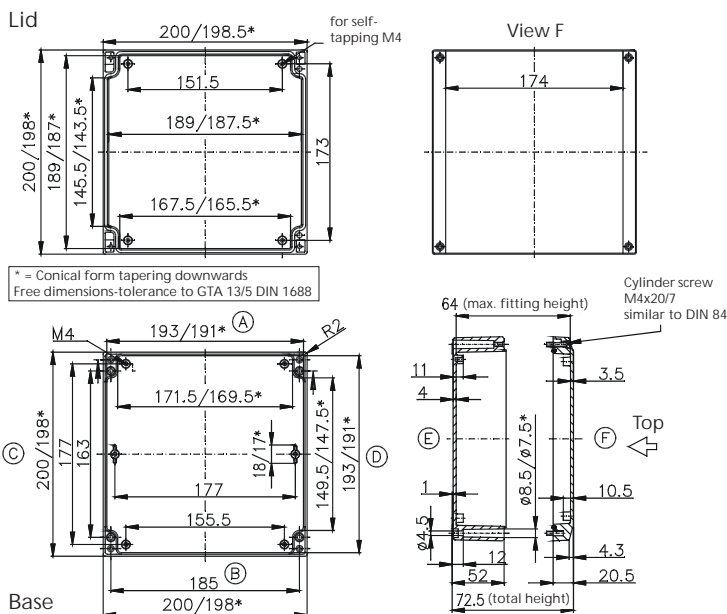
External dimensions: **200 x 200 x 72 mm**

Weight: **1440 g**

DIN rail length in mm	max. fitting length in mm	Mounting plate (thickness in mm)	External mounting brackets	External hinge* set	EMC version	SWB / SBG / SBGL corrosion protection	Allen lid screws	Silicone lid seal	Sealable lid screws in steel	Lid safety strip
TS 15/TS 35										
188	170	2	•	•	•	•	•	•	•	•

Maximum number of cable glands to **DIN 50262***

M	Corner dim.	Side		PG	Corner dim.	Side	
		A/B	C/D			A/B	C/D
12	17.25	20	17	7	17.25	20	17
16	25.30	9	8	9	21.85	14	13
20	27.60	7	6	11	25.30	8	7
25	37.95	4	4	13.5	27.60	7	6
32	48.30			16	31.05	6	5
40	60.95			21	37.95	4	4
50	69.00			29	48.30		
63	74.75			36	60.95		
				42	69.00		
				48	74.75		



Type: **04.20 28 07**

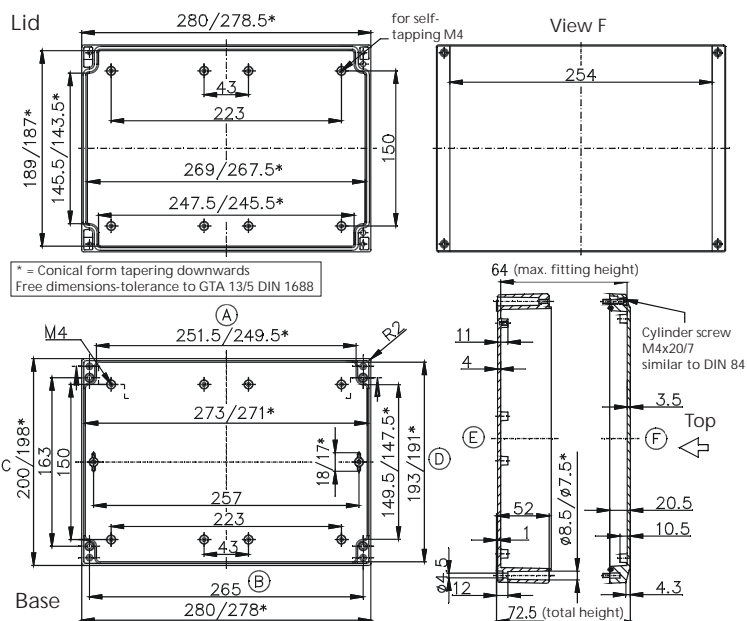
External dimensions: **200 x 280 x 72 mm**

Weight: **1920 g**

DIN rail length in mm	max. fitting length in mm	Mounting plate (thickness in mm)	External mounting brackets	External hinge* set	EMC version	SWB / SBG / SBGL corrosion protection	Allen lid screws	Silicone lid seal	Sealable lid screws in steel	Lid safety strip
TS 15/TS 35										
266	250	2	•	•	•	•	•	•	•	•

Maximum number of cable glands to **DIN 50262***

M	Corner dim.	Side		PG	Corner dim.	Side	
		A/B	C/D			A/B	C/D
12	17.25	29	17	7	17.25	29	17
16	25.30	13	8	9	21.85	22	13
20	27.60	10	6	11	25.30	12	7
25	37.95	6	4	13.5	27.60	10	6
32	48.30			16	31.05	8	6
40	60.95			21	37.95	6	4
50	69.00			29	48.30		
63	74.75			36	60.95		
				42	69.00		
				48	74.75		



* Please quote mounting side