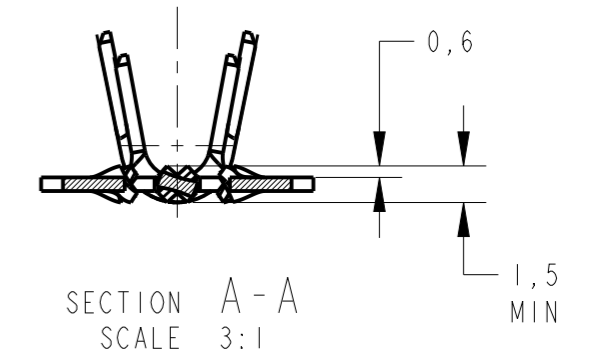
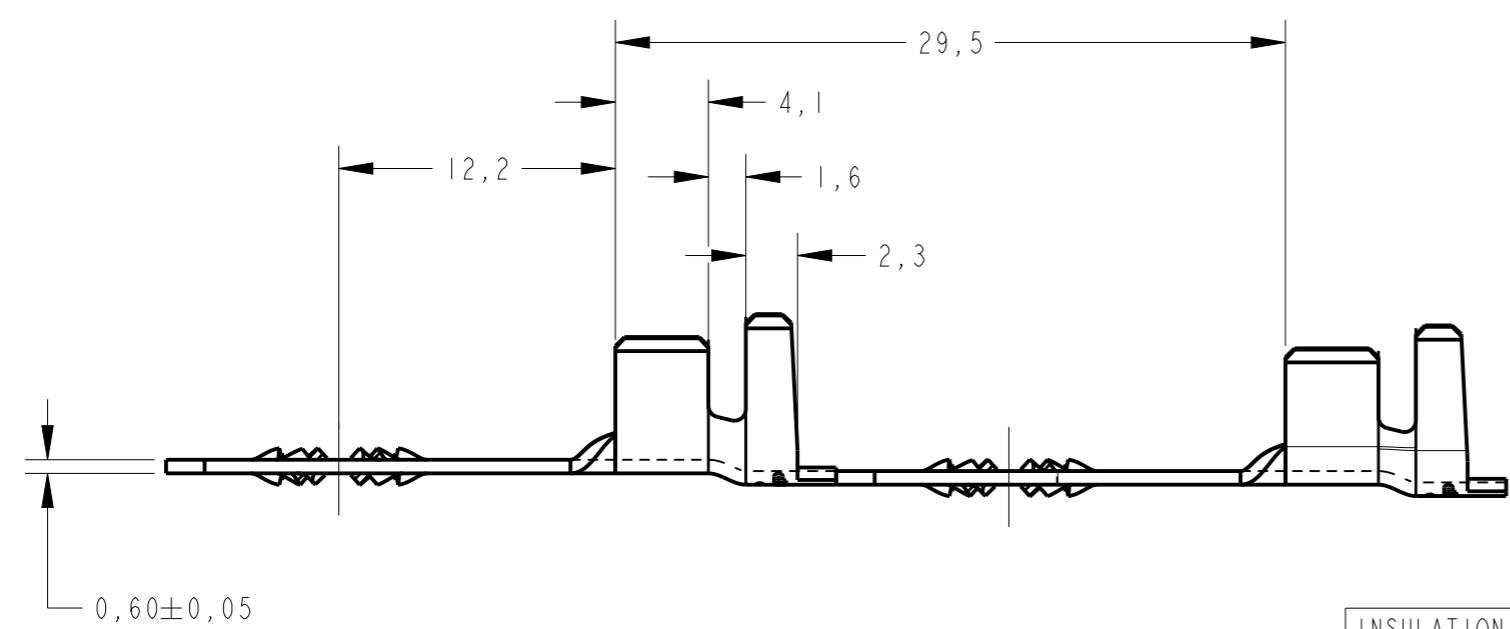
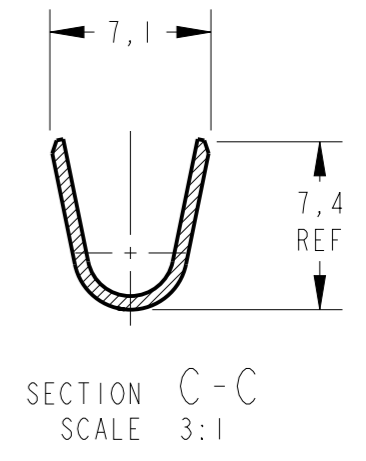
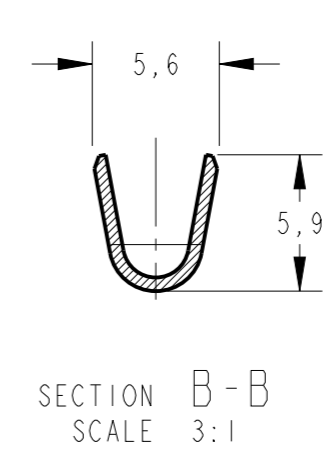
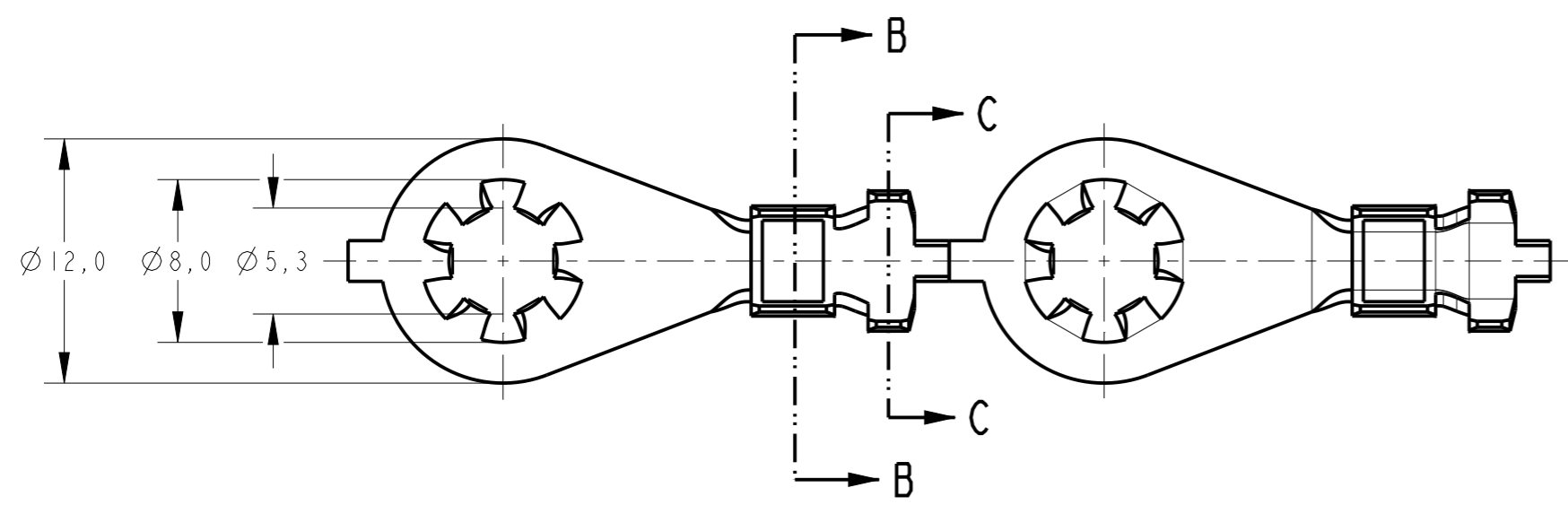


THIS DRAWING IS UNPUBLISHED. RELEASED FOR PUBLICATION 20
 © COPYRIGHT 20 BY - ALL RIGHTS RESERVED.

creo
 Creo Parametric 2.0
**DO NOT REVISE
 EXCEPT BY CAD**

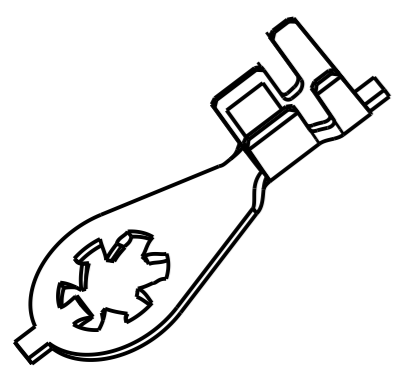
REVISIONS					
P	LTR	DESCRIPTION	DATE	DWN	APVD
	A	REDRAW BY CAD ECO-14-008287	26JUN2014	NCL	LWP



1 - OBSOLETE PARTS: OBSOLETE CIS STREAMLINING PER D.RENAUD/D.SINISI

INSULATION RANGE	Ø 3,2-4,3
WIRE RANGE	4,0-6,0mm ²

ESTANHADO	BRONZE FOSF/BRONZE PHOSP	444025-4
—	BRONZE FOSF/BRONZE PHOSP	444025-3
ESTANHADO	LATÃO/BRASS	444025-2 1
—	LATÃO/BRASS	444025-1
FINISH	MATERIAL	PART NUMBER



PERSPECTIVE VIEW
 SCALE 2:1

THIS DRAWING IS A CONTROLLED DOCUMENT.	
DIMENSIONS: mm	TOLERANCES UNLESS OTHERWISE SPECIFIED:
	0 PLC ±-
	1 PLC ±0,2
	2 PLC ±0,1
	3 PLC ±-
	4 PLC ±-
	ANGLES ±30'
MATERIAL SEE TABLE	FINISH SEE TABLE

DWN NCLAPRESA 26JUN2014	STE TE Connectivity			
CHK FCFORTUNATO 26JUN2014				
APVD LWPRADO 26JUN2014	NAME - RING TONGUE (ANTIROTATIONAL)			
PRODUCT SPEC -	SIZE A3	CAGE CODE -	DRAWING NO C-444025	RESTRICTED TO -
APPLICATION SPEC -	WEIGHT -	SCALE 3:1	SHEET 1 OF 1	REV A
Customer Drawing				