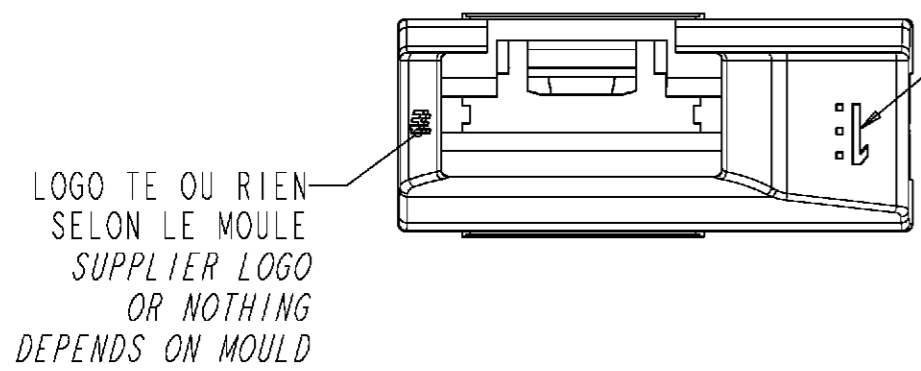
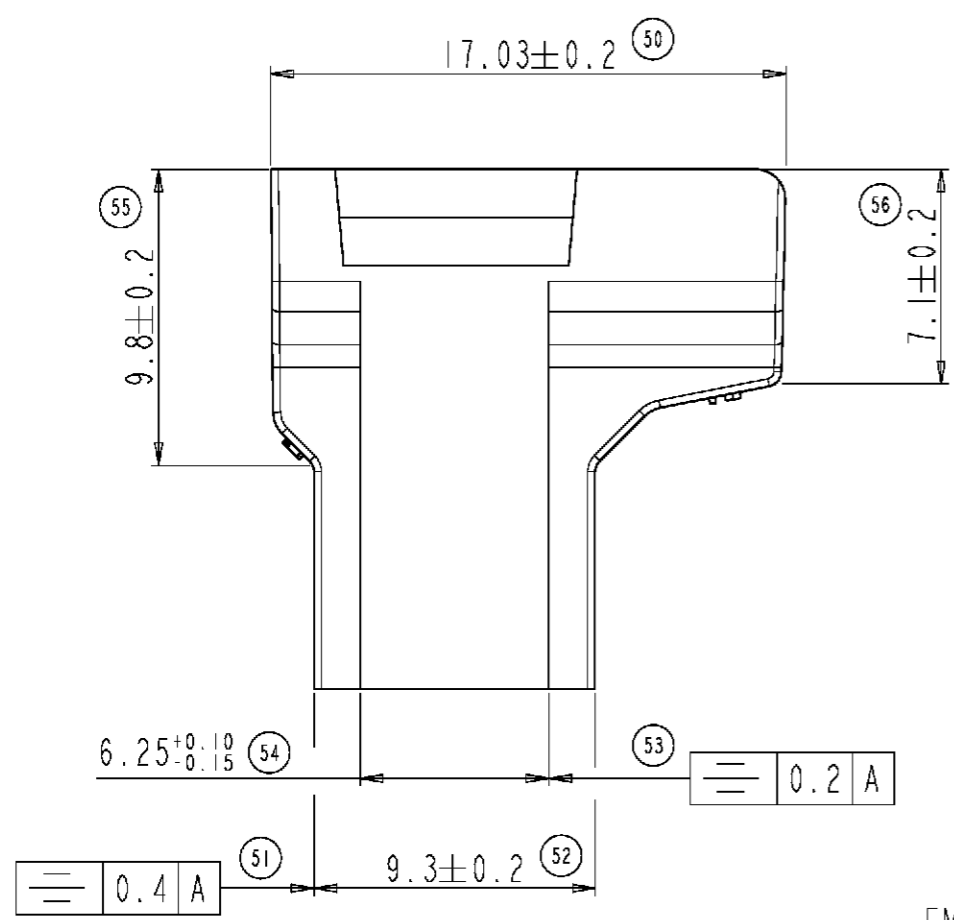


THIS DRAWING IS UNPUBLISHED. RELEASED FOR PUBLICATION 2011
 © COPYRIGHT - 2011 ALL RIGHTS RESERVED.

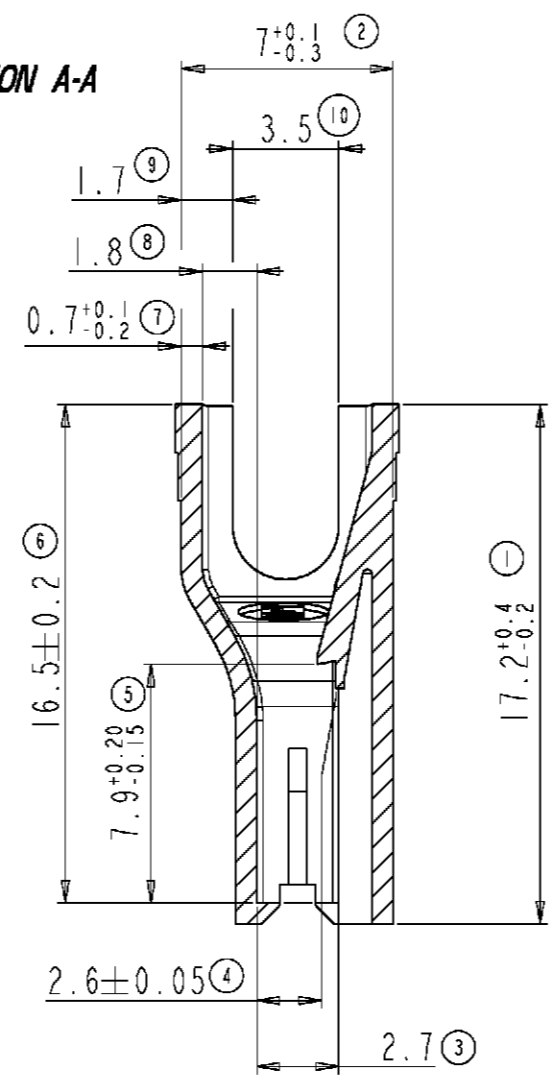
LOC	DIST	REVISIONS			
P	LTR	DESCRIPTION	DATE	DWN	APVD
F	00	G	REVIEW ALL DRAWING AND TE LOGO	13OCT2010	PF s JD r
		H	CHANGE DATE CODE AND CAVITY REPERE SIDE	15FEB2011	PF s JD r
		J	CHANGE MATERIAL WAS PCT-GF30	08NOV2011	PF s JD r



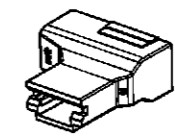
REPERES D'EMPREINTE ET MOULE
 CAVITY AND MOULD REPERES



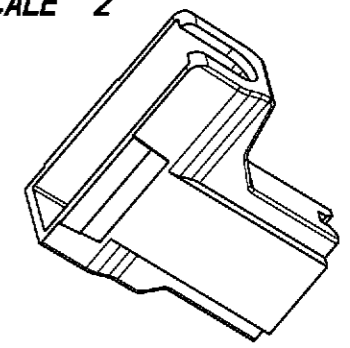
SECTION A-A



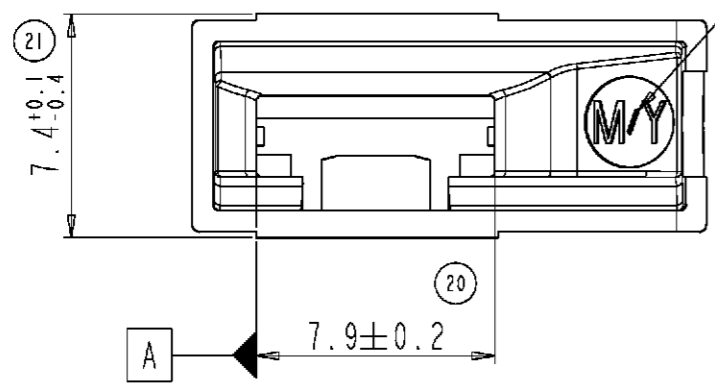
SCALE 1



SCALE 2



EMPLACEMENT DATEUR MOIS/ANNEE
 OU LOGO TE, SELON LE MOULE
 DATE CODE MONTH/YEAR
 OR TE LOGO AREA, DEPENDS ON MOULD



TE PN	REF CLIENT CUSTOMER PN	MATIERE MATERIAL	COULEUR COLOR
1544351-1		PA4.6 GF30	NOIR / BLACK

THIS DRAWING IS A CONTROLLED DOCUMENT.		DWN L. CORONELLI 09DEC2004	TE Connectivity	
DIMENSIONS: mm		CHK P. FLORES 09DEC2004		
TOLERANCES UNLESS OTHERWISE SPECIFIED:		APVD J. DAHER 09DEC2004	NAME CAP POUR CLIP DRAPEAU 6.35 1 VOIE 1 WAY 6.35mm FLAG RECEPTACLE HOUSING	
1 PLC ±0.1 2 PLC ± 3 PLC ± ANGES ±5° FINISH -		PRODUCT SPEC -	RESTRICTED TO -	
MATERIAL SEE TABLE		APPLICATION SPEC -	SIZE A3	CAGE CODE -
		WEIGHT 0.7 g	DRAWING NO C-1544351	
		CUSTOMER DRAWING	SCALE 4.0	SHEET 1 OF 1 REV J