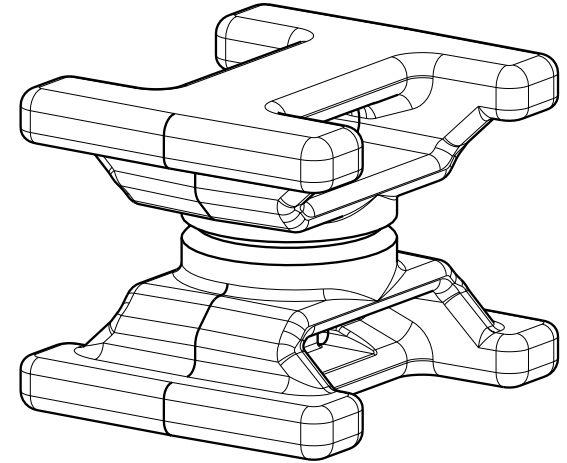
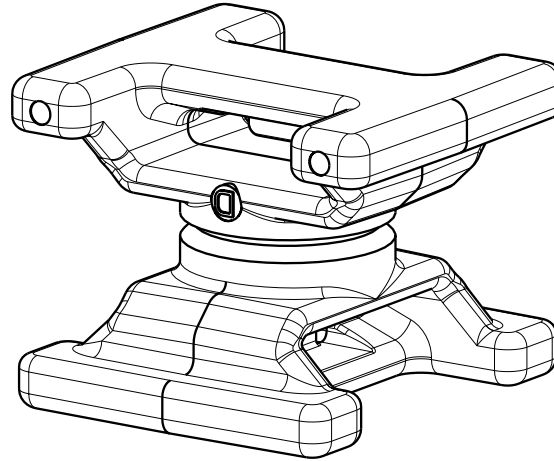
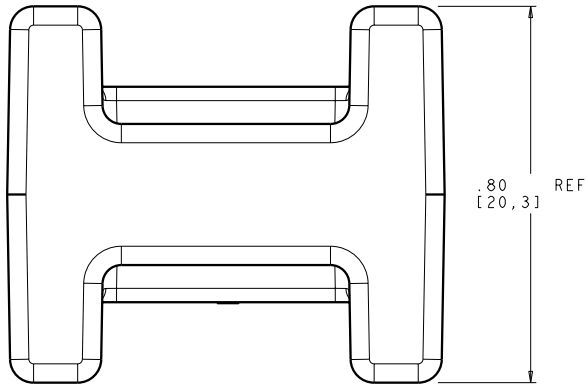
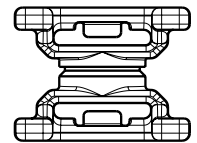
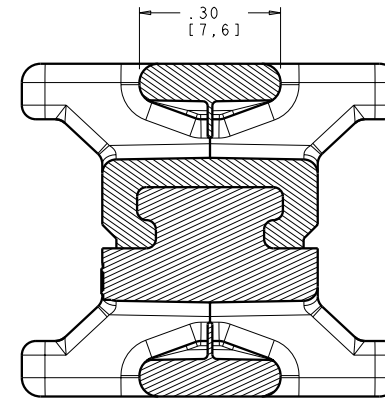
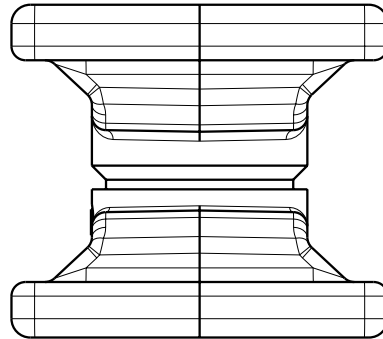
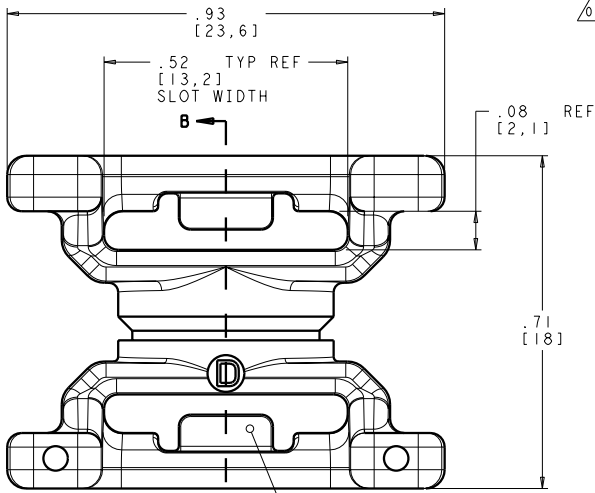


\* ROTATED

AS MOLDED



- FEATURES:
- \* SADDLES ROTATE TO ANY ANGLE AND MAINTAIN SEPARATION BETWEEN CROSSING BUNDLES
  - PROVIDES AN APPROXIMATE 0.71" SPACING BETWEEN 2 BUNDLES
  - 100 lb MIN PULL APART FORCE
  - ROTATIONAL FORCE OF 4.0 IN-LBS MAX
  - ACCEPTS MOST STANDARD CABLE TIES UP TO 1/2" WIDE



SCALE 1/1

SECTION B-B

FRICITION TAB X2

INVENTORS

**HellermannTyton®**

ALL PROPRIETARY RIGHTS IN THE SUBJECT MATTER SHOWN ON THIS DRAWING ARE EXCLUSIVE PROPERTY OF HELLERMANN TYTON

name	date	city, state
SCOTT ADAMS	8/25/04	BURLINGTON, WI

REVISION

level	by	date	part level
09	SJA	3/24/10	D

DIMENSIONS

units	inches
.XXXX= ±0.0050/[1,127]	
.XXX= ±0.010/[2,54]	
.XX= ±0.02/[5,08]	
.X= ±0.1	
∠= ±0.5	
unless otherwise specified	

PART

number	DSWS4	phase	PRODUCTION
name	DUAL SWIVEL SADDLE SPACER SIZE 4 INSERT MOLDED		
material	THERMOPLASTIC COLOR: BLACK		

DRAWING

FORMAT	AH version	J	CAD	PRO-E	scale	5/2
computer file number	previous number					
drawn	S. ADAMS	checked	G. GEIGER	approved		
date	8/26/04	checked	2/11/05	approved		
type	CUSTOMER			sheet	1 of 1	
number	MT2024053CST					