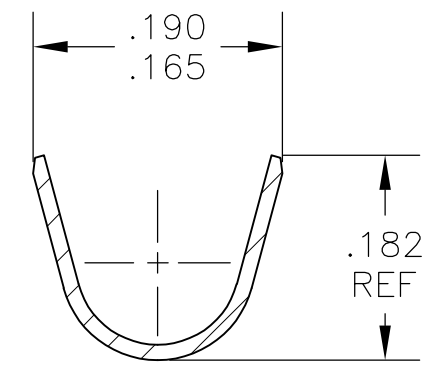
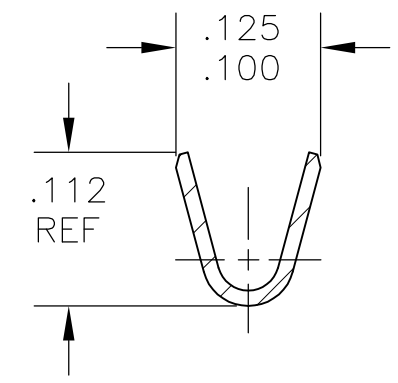
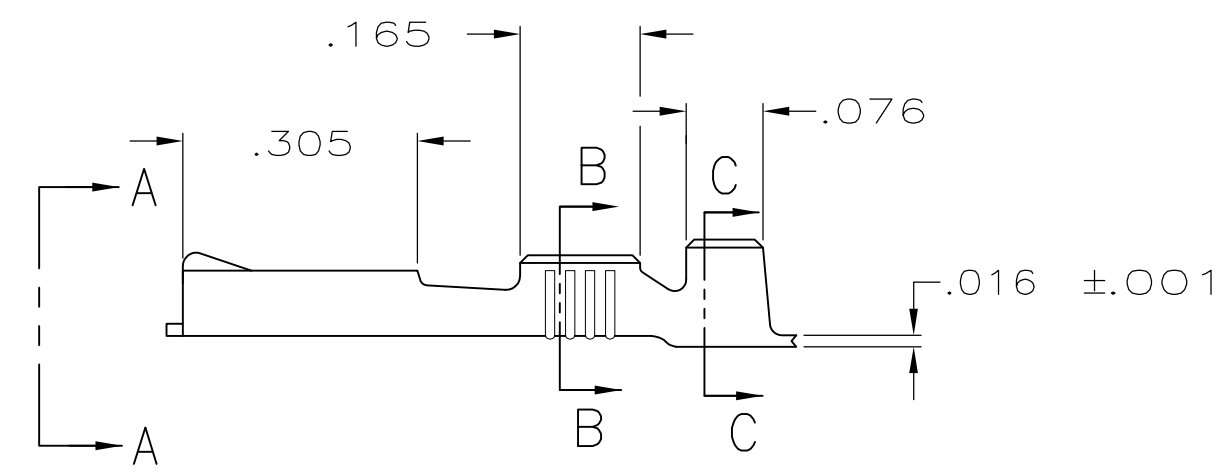
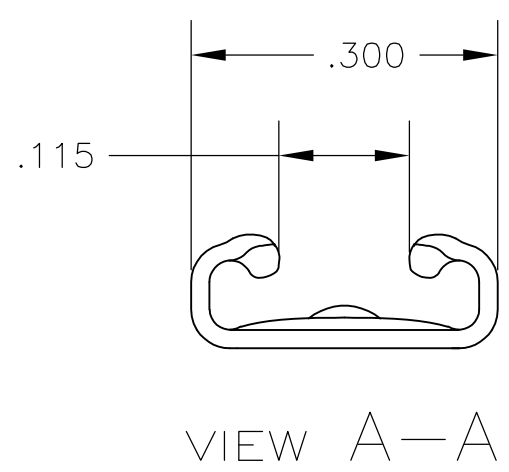
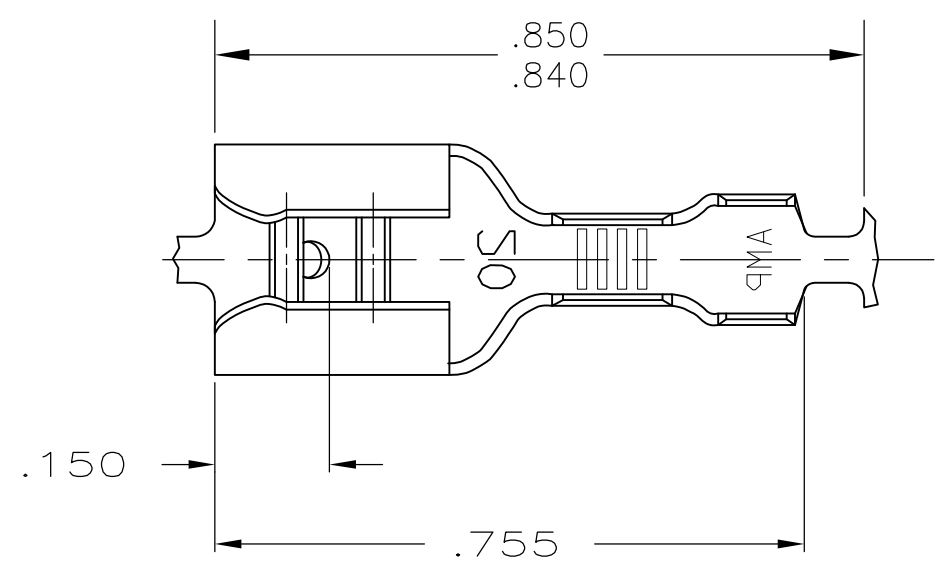


THIS DRAWING IS UNPUBLISHED. RELEASED FOR PUBLICATION  
 © COPYRIGHT - By - ALL RIGHTS RESERVED.

LOC	DIST	REVISIONS			
P	LTR	DESCRIPTION	DATE	DWN	APVD
AF	50	H	REVISED PER ECR-12-013445	09NOV12	KH PD

- 1 CONTINUOUS STRIP ON REELS.
- 2 WIRE SIZE 22-18 AWG
- 3 INSULATION RANGE .090-.130 DIA
- 4 MATING TAB THK IS .032±.001



SECTION B-B

SECTION C-C

TIN	42743-2
-	42743-1
FINISH	PART NO

THIS DRAWING IS A CONTROLLED DOCUMENT.		DWN	JR RUTH	5-14-86	<b>STE</b> TE Connectivity												
DIMENSIONS: INCHES		CHK	G YETTER	5-16-86													
TOLERANCES UNLESS OTHERWISE SPECIFIED:		APVD	C MEYERS	5-16-86													
<table border="1"> <tr><td>0 PLC</td><td>± -</td></tr> <tr><td>1 PLC</td><td>± -</td></tr> <tr><td>2 PLC</td><td>± -</td></tr> <tr><td>3 PLC</td><td>± .015</td></tr> <tr><td>4 PLC</td><td>± -</td></tr> <tr><td>ANGLES</td><td>± -</td></tr> </table>		0 PLC	± -	1 PLC		± -	2 PLC	± -	3 PLC	± .015	4 PLC	± -	ANGLES	± -	PRODUCT SPEC	-	NAME
0 PLC	± -																
1 PLC	± -																
2 PLC	± -																
3 PLC	± .015																
4 PLC	± -																
ANGLES	± -																
MATERIAL	BRASS	FINISH	SEE ABOVE	APPLICATION SPEC	114-2036												
		WEIGHT	-	SIZE	A3												
		CUSTOMER DRAWING		CAGE CODE	00779												
				DRAWING NO	C-42743												
				RESTRICTED TO	-												
				SCALE	4:1												
				SHEET	1 OF 1												
				REV	H												