

5

4

3

2

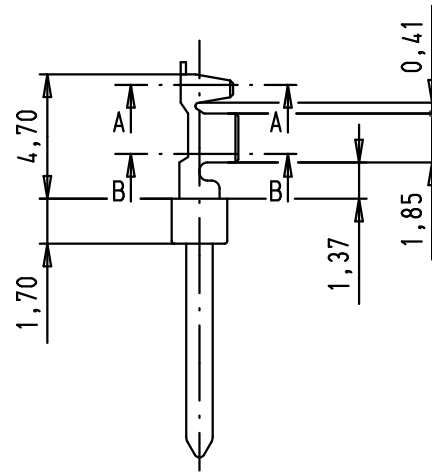
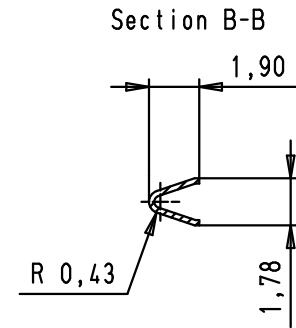
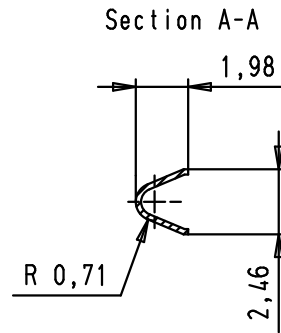
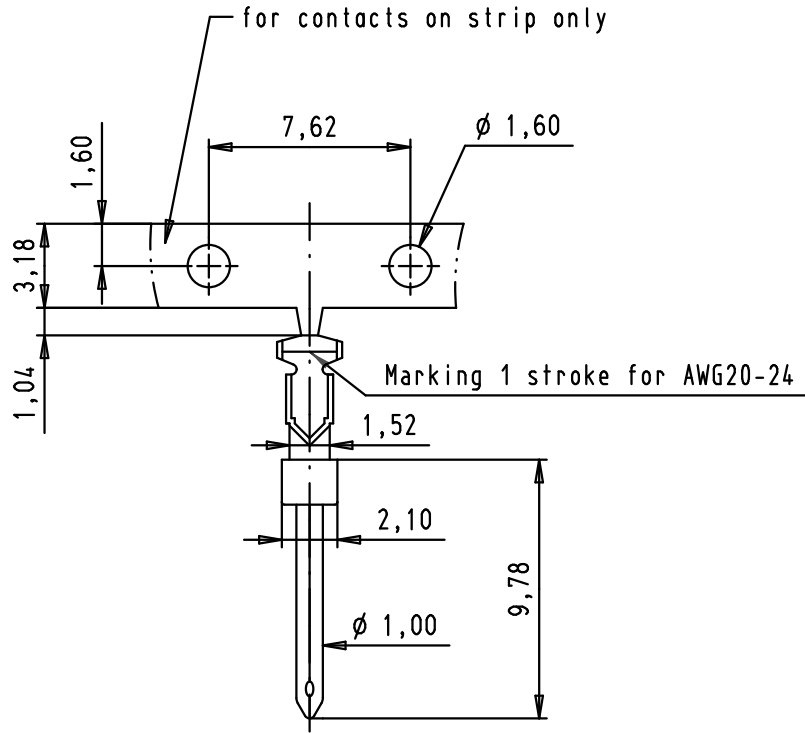
1

D

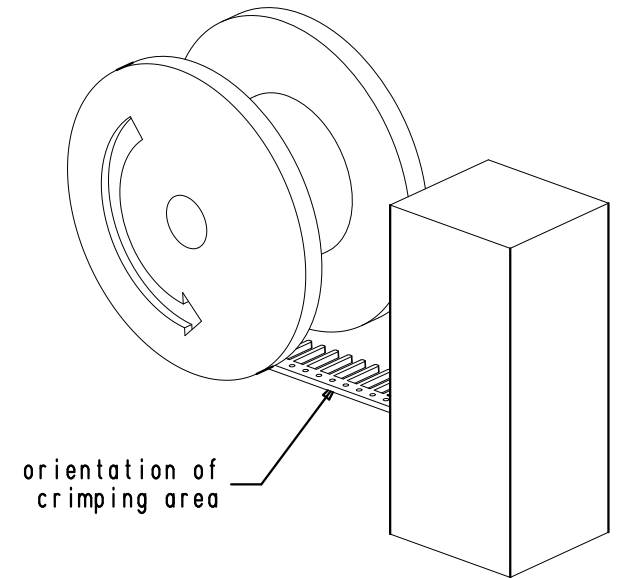
C

B

A

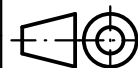


Reel unrolling left



Base material: brass
 Plating: sliding contact selective gold plated over nickel
 nickel plated crimp area
 Number of contacts per reel: 10000

			Dat.		Name	
			Detail.	24/03/03	PP	
36288	13/01/12	SD	Insp.	13/01/12	JB	
33986	24/04/07	PK	Stand.			
33242	17/10/05	JMDR	HARTING EURL F-95972 Paris			
31475	24/03/03	PP				
Mod.	Dat.	Name				



All Dim. in mm
 Orig. Size DIN A 4

D-Sub, stamped male
 AWG 20-24 crimp contact,
 reel unrolling left

Maßstab/
 Scale

3,5:1

09 67 000 8158	PL2
09 67 000 8157	PL3
09 67 000 8156	PL1
Part number	Performance level

TB 09 67 000 815X

Blatt/ Page

1 / 1

Sub.

