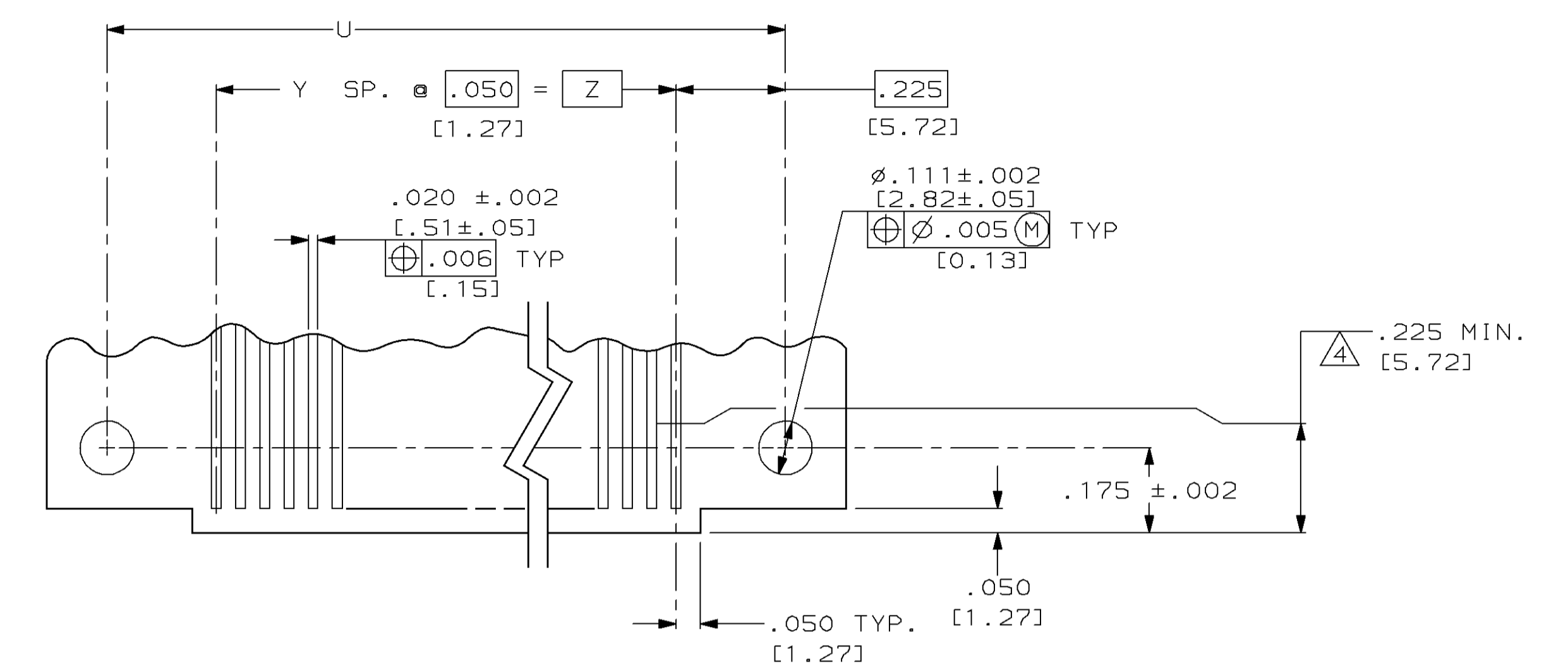
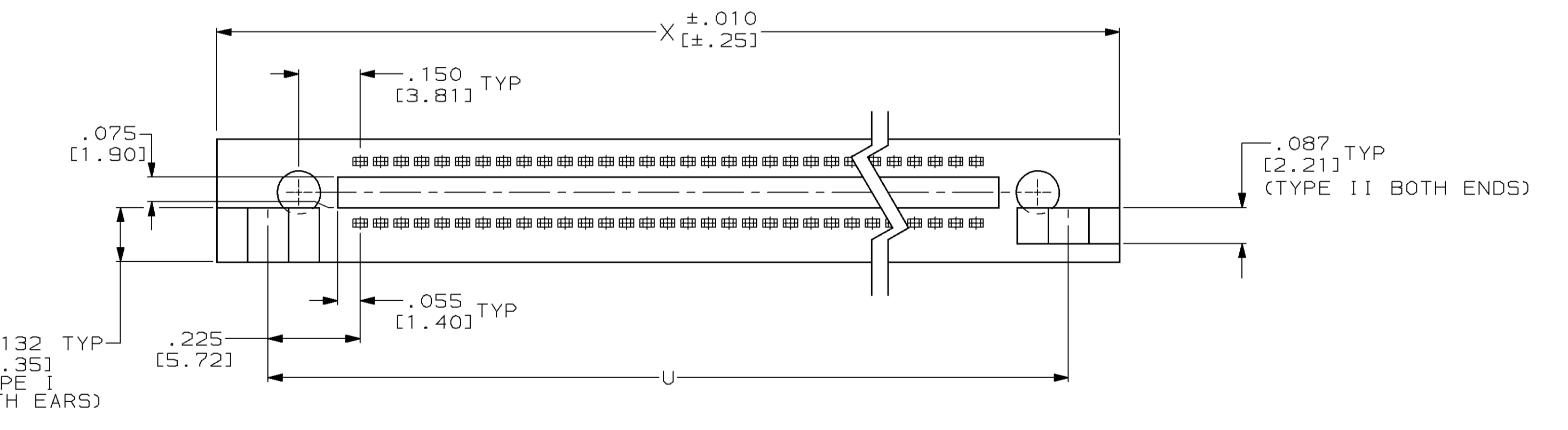
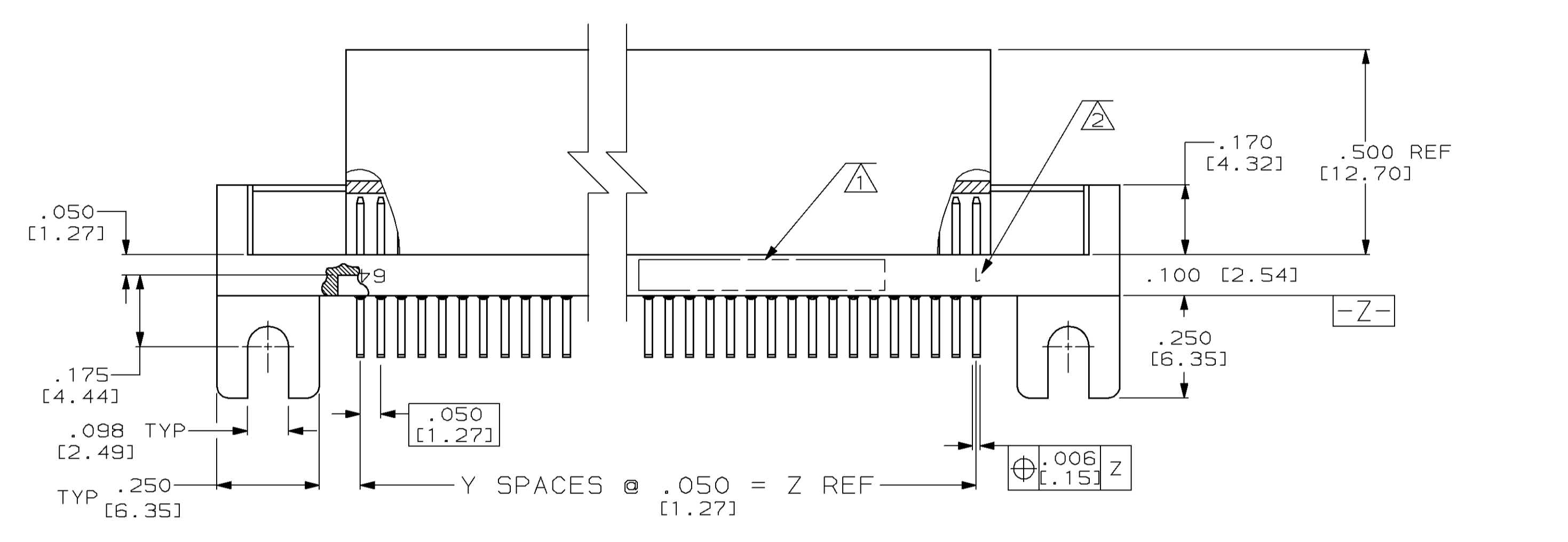
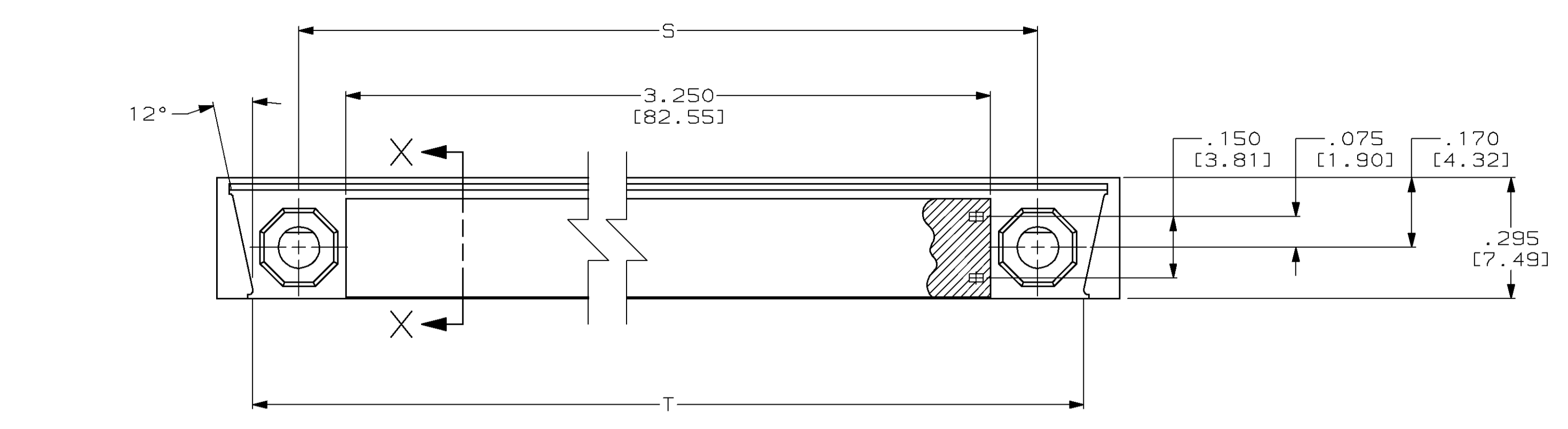
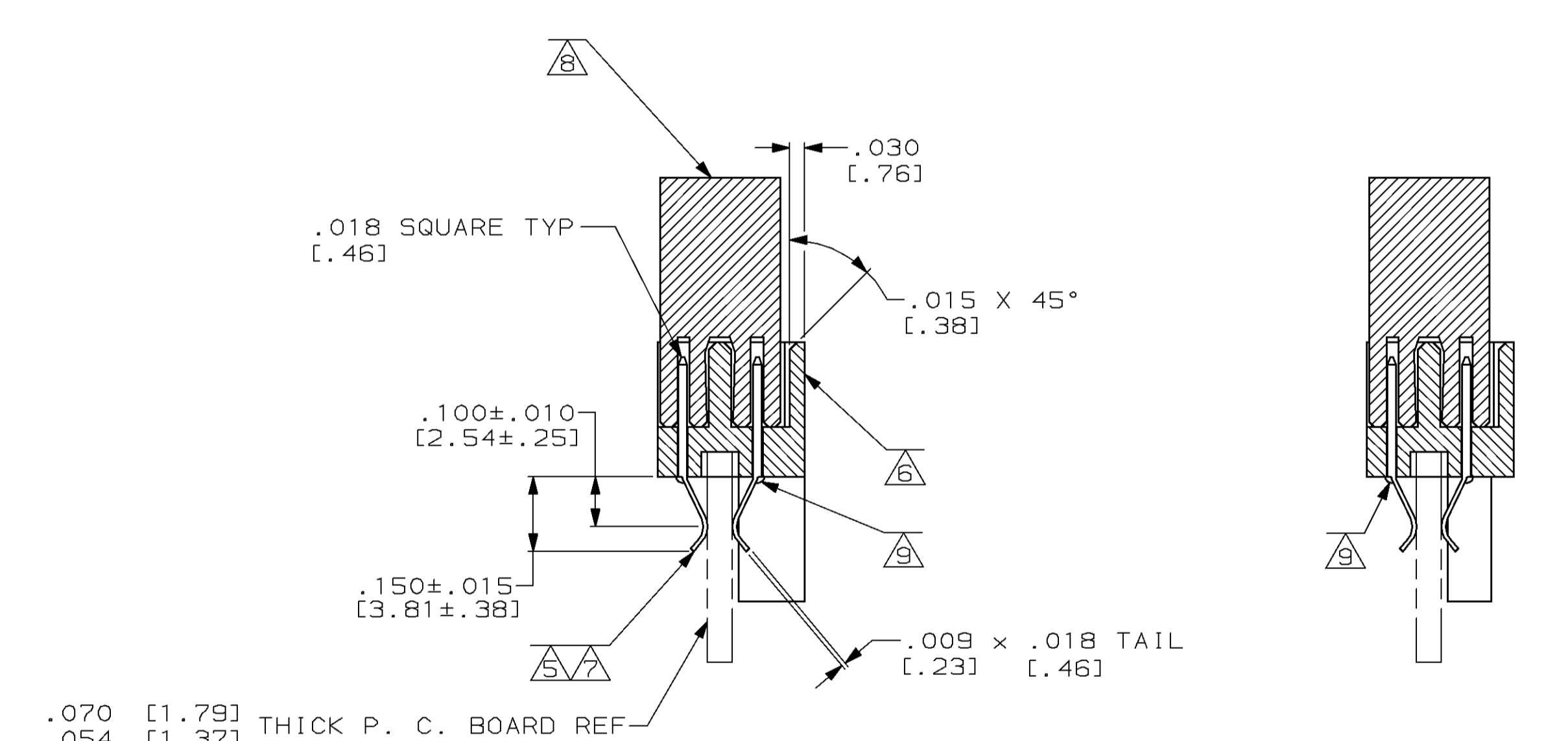


PROJ	LOC	Q1ST	P	F	ZONE	LTR	DESCRIPTION	DATE	APPD	
5327	DF	F0					REV PER 0600-6175-97	CT	9-97	DG



RECM. P.C. BD. LAYOUT



SECTION X-X TYPE I

SECTION X-X TYPE II

- △ CUSTOMER P/N, 00779 AND DATE CODE INK STAMPED IN THIS APPROXIMATE AREA.
- △ NUMBERS INDICATING END POSITIONS STAMPED THIS SIDE ONLY.
- 3. MEETS ALL APPLICABLE REQUIREMENTS OF MIL-C-55302.
- △ MINIMUM PAD LENGTH ON CIRCUIT BOARD.
- △ CONTACT FINISH: TABS TIN-LEAD PLATED FOR SOLDERABILITY OVER NICKEL PER MIL-C-55302.
- △ HOUSING MATERIAL: LIQUID CRYSTAL POLYMER PER MIL-M-24519, GLCP-30F; COLOR: GRAY.
- △ CONTACT MATERIAL: BRASS
- △ PIN PROTECTOR MATERIAL: VELOSTAT OR EQUIVALENT LOW STATIC OR ANTI-STATIC POLYETHYLENE. COLOR: PINK
- △ EPOXY SEALANT IS ADDED TO HOUSING WHERE CONTACTS EMERGE FROM HOUSING.

II	09344S0CNPC78667-2	3.150 [80.01]	63	3.850 [97.79]	3.600 [91.44]	3.670 [93.22]	3.450 [87.63]	128	532046-2
I	09344PC78667-1	3.150 [80.01]	63	3.850 [97.79]	3.600 [91.44]	3.670 [93.22]	3.450 [87.63]	128	532046-1
TYPE	CUSTOMER PART NUMBER	Z	Y	X	U	T	S	NO. OF POSN.	PART NUMBER

DO NOT SCALE PRINT. UNLESS SPECIFIED DIMENSIONS IN INCHES [mm] TOLERANCES ON:

DR 3-12-90 T. WIEST	NAME AMP AMP INCORPORATED Harrisburg, Pa. 17105
CHK 12-31-91 D. GUTTER	
APPD 12-31-91 D. GUTTER	
3 PLC DEC ±.005 [0.13] ANGLES ± 0° 30'	APPD 12-31-91 D. GUTTER
MATERIAL CONTACT: BRASS HOUSING: △	PRODUCT SPEC -
FINISH	APPLICATION SPEC -
SCALE 4:1	SIZE D 00779
WEIGHT -	FSCM NO. 00779
	DRAWING NO. 532046
	SHEET 1 OF 1