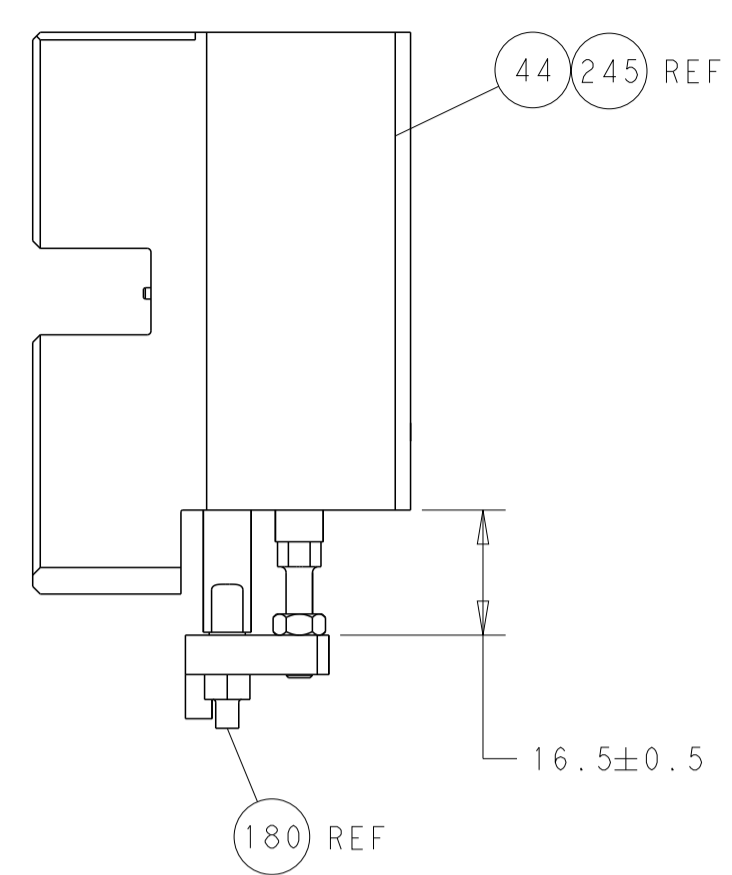
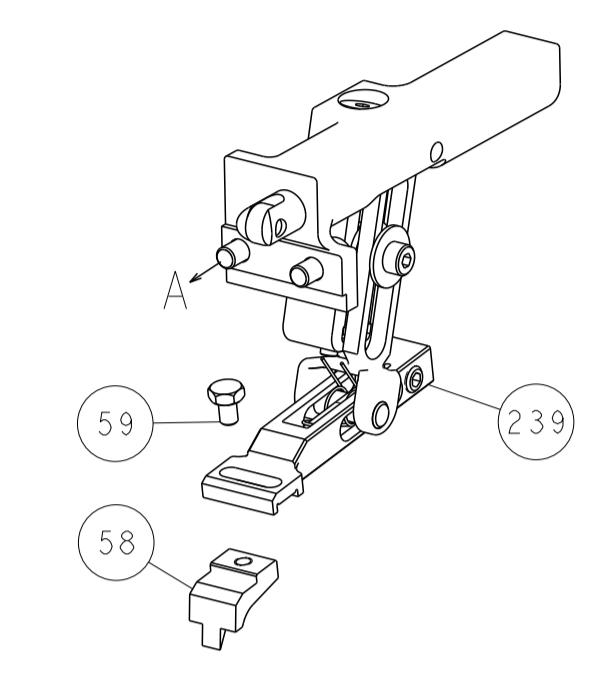


LOC		DIST		REVISIONS			
A	66	P	LTM	DESCRIPTION	DATE	OWN	APVD
		-		SEE SHEET 1			

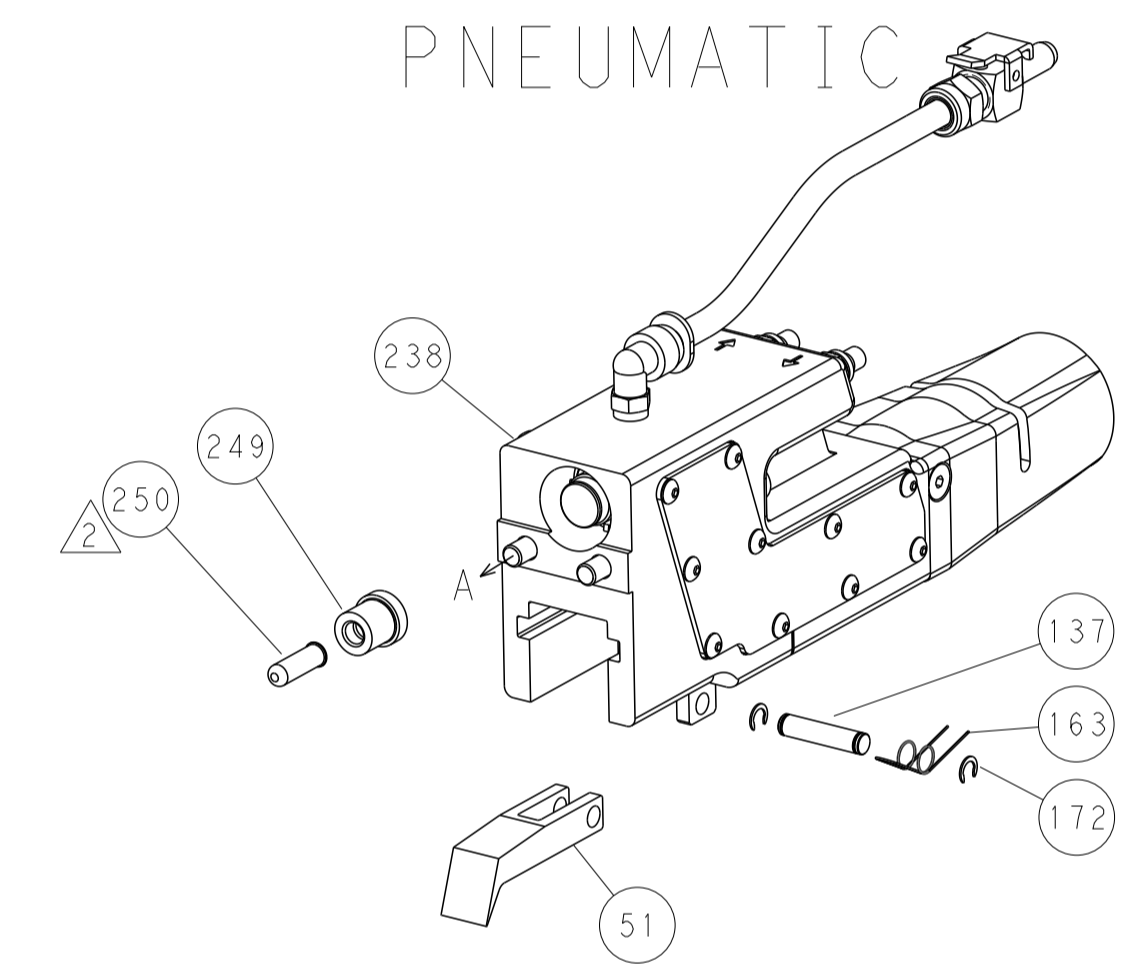


HOLDDOWN SET-UP

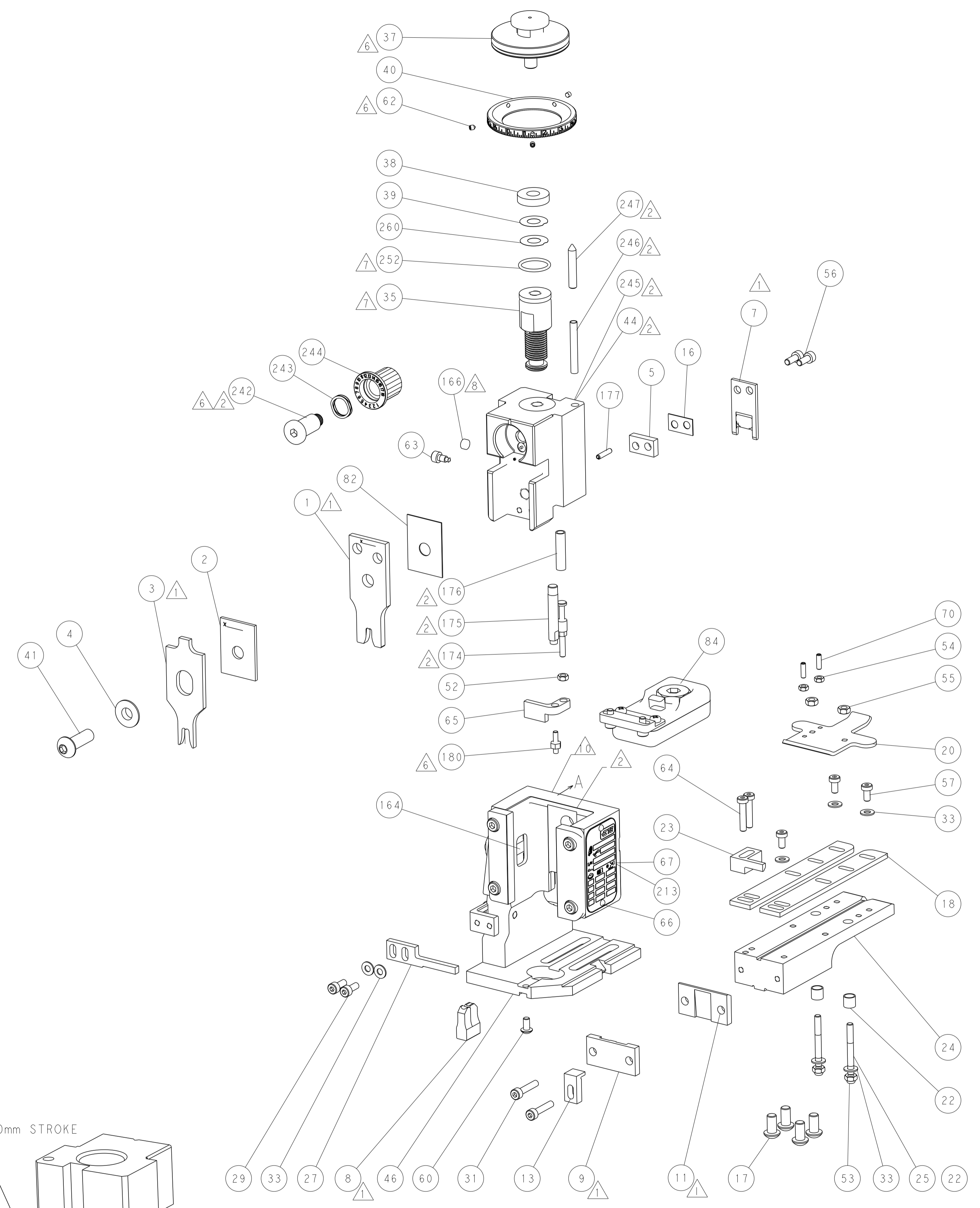
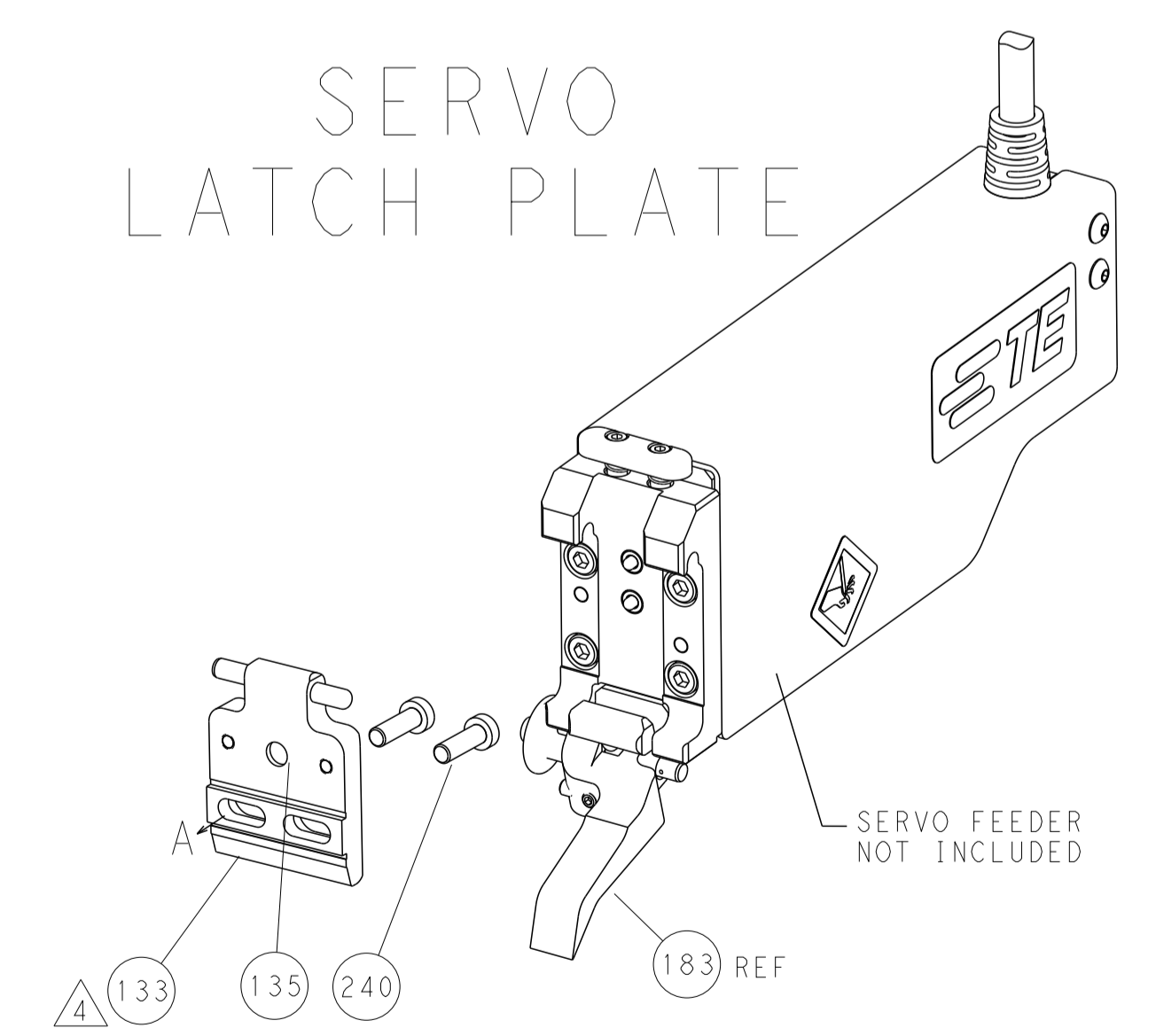
FEED TYPE
MECHANICAL



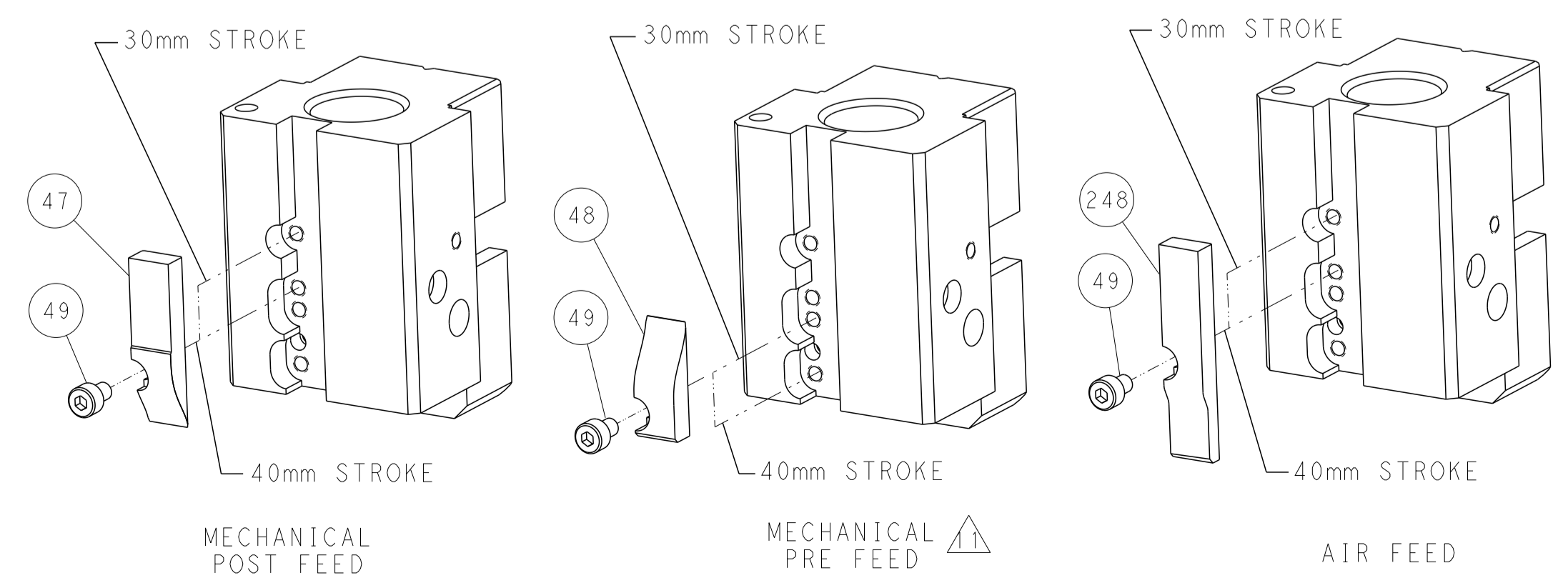
PNEUMATIC



SERVO
LATCH PLATE



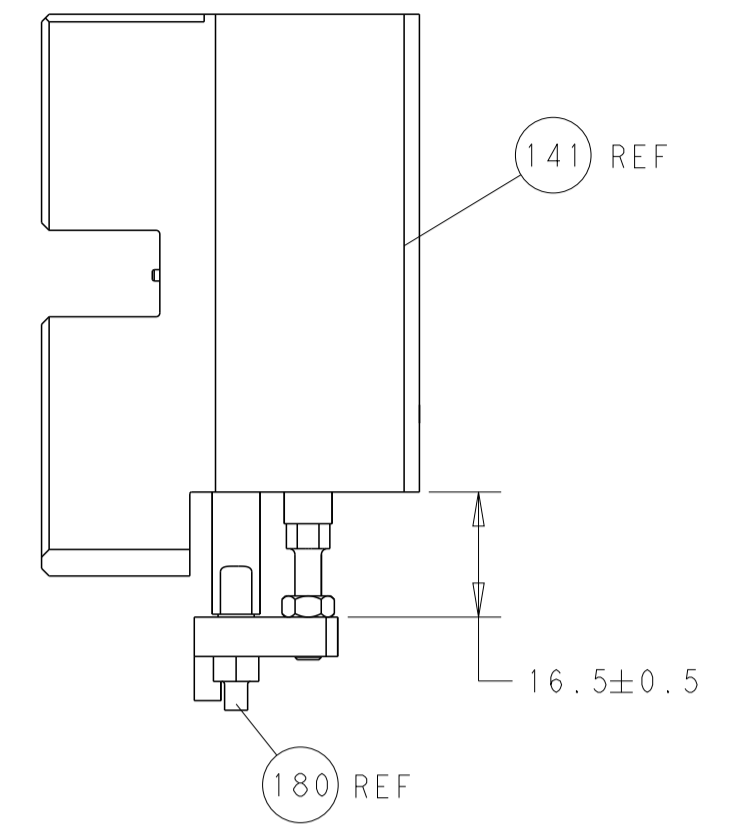
CAM POSITIONS



ATLANTIC VERSION
 Shown on sheets 1 of 4 & 2 of 4
 (Pacific version shown on sheets 3 of 4 & 4 of 4)

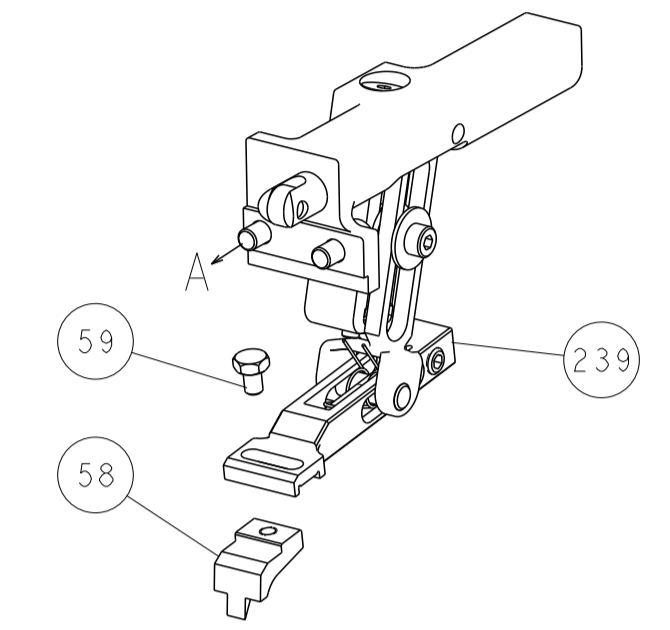
<small>THIS DRAWING IS UNPUBLISHED. RELEASED FOR PUBLICATION BY TYCO ELECTRONICS CORPORATION. ALL RIGHTS RESERVED.</small>		DWN: K. HUANG 16DEC2013 CHK: L. ZHANG 16DEC2013 APVD: J. GUO 16DEC2013	NAME: Ocean End Feed Applicator SIZE: A1 CAGE CODE: 00779 DRAWING NO: 2150402	TE Connectivity Harrisburg, PA 17105-3608
DIMENSIONS: mm TOLERANCES UNLESS OTHERWISE SPECIFIED: 0 PLC ± 1 PLC ± 2 PLC ± 3 PLC ± 4 PLC ± ANGLES ± FINISH	WEIGHT: - SCALE: 1:1 SHEET: 2 OF 4 REV: A1	RESTRICTED TO: - SCALE: 1:1 SHEET: 2 OF 4 REV: A1	Customer Accessible Production Drawing	SHEETS 3 & 4 ARE NOT REQUIRED FOR ATLANTIC VERSION

LOC		DIST		REVISONS			
A	66	P	LTM	DESCRIPTION	DATE	DWN	APVD
		-		SEE SHEET 1			

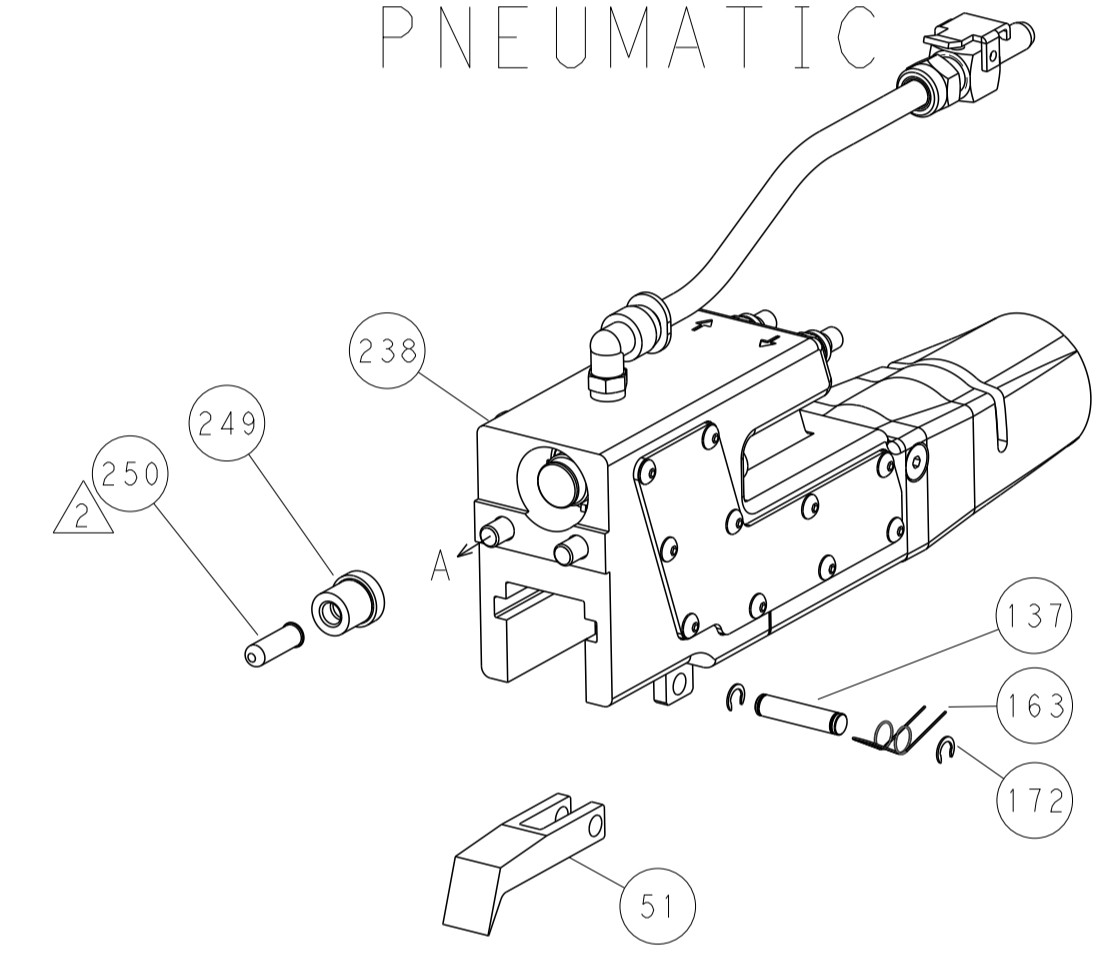


HOLDDOWN SET-UP

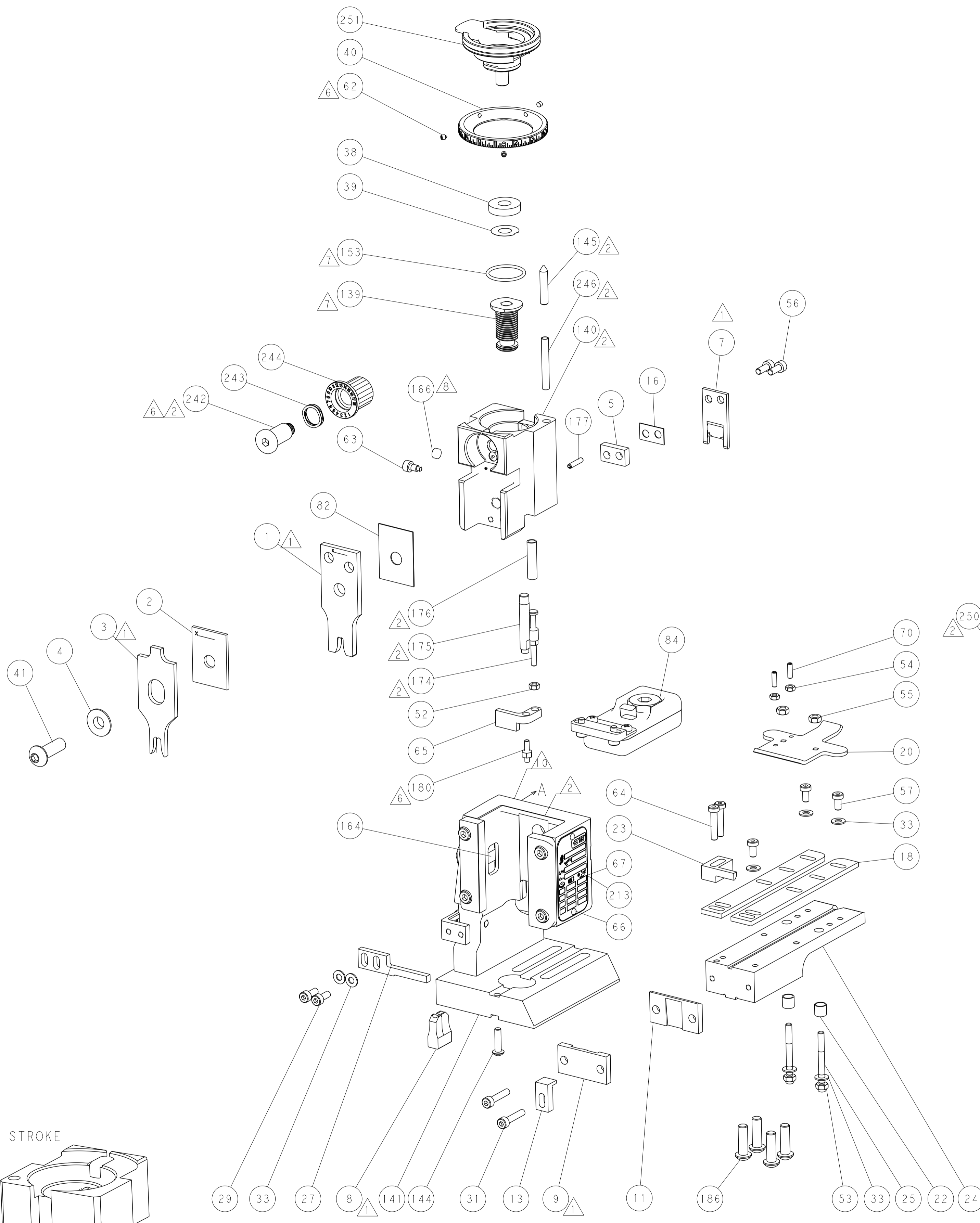
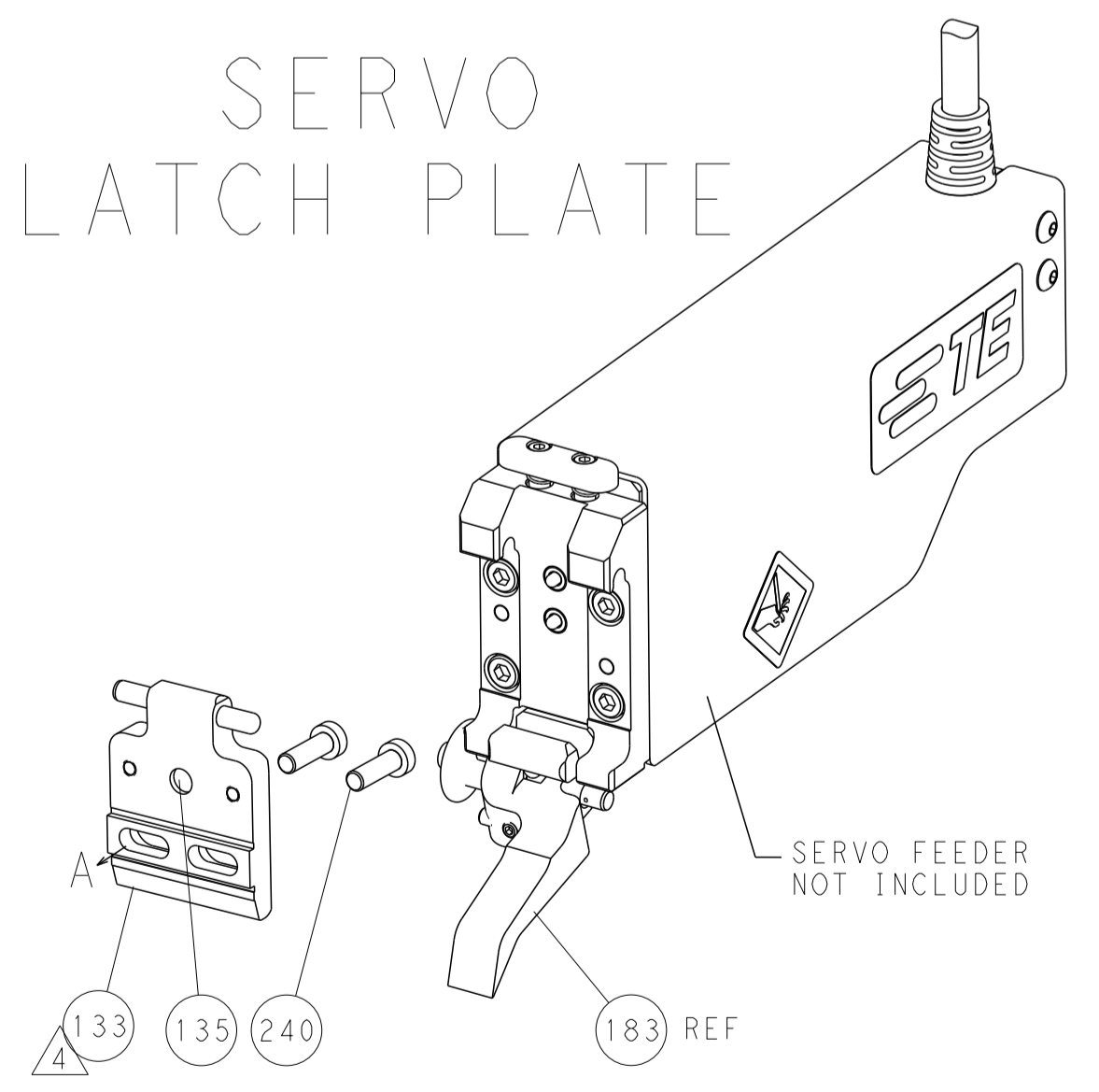
FEED TYPE
MECHANICAL



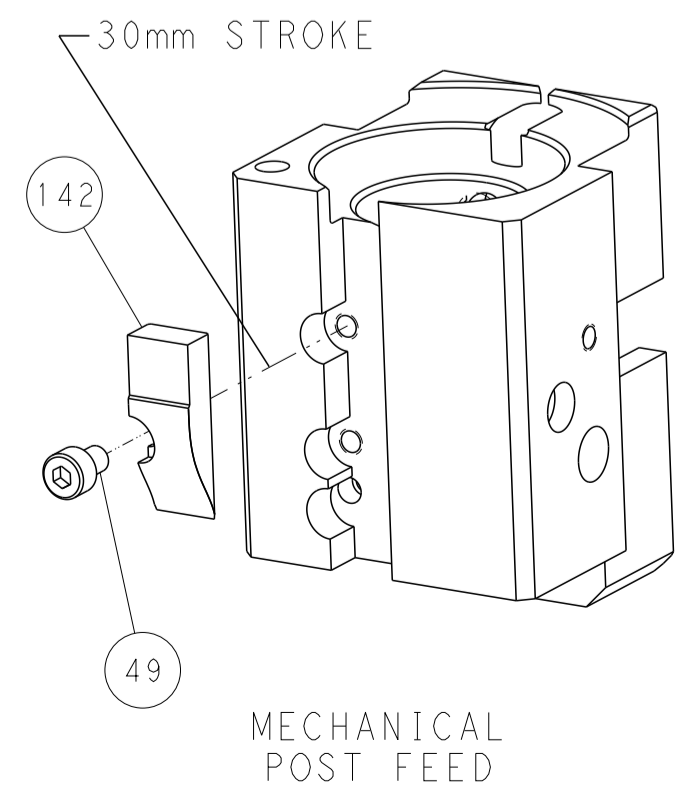
PNEUMATIC



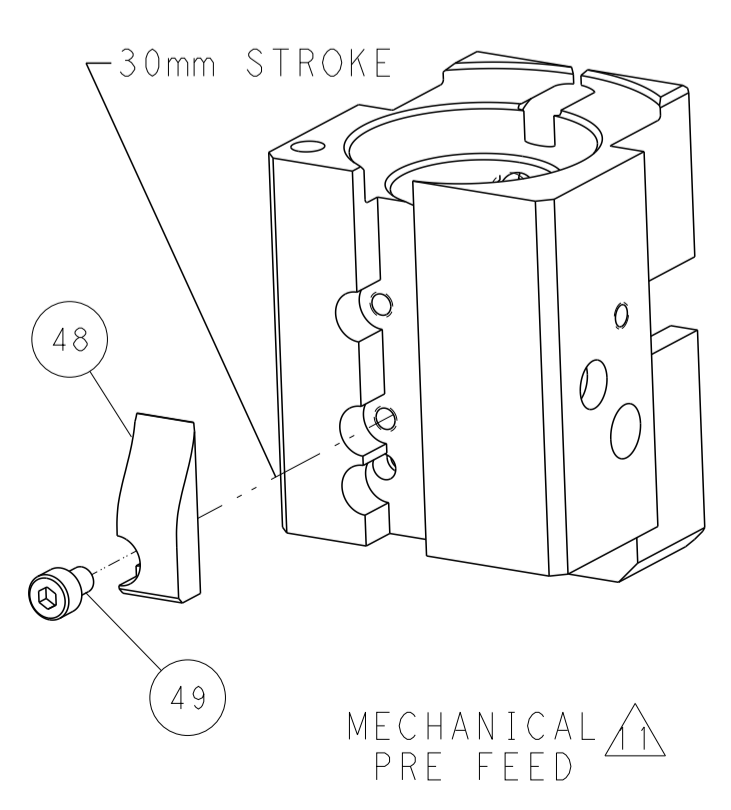
SERVO
LATCH PLATE



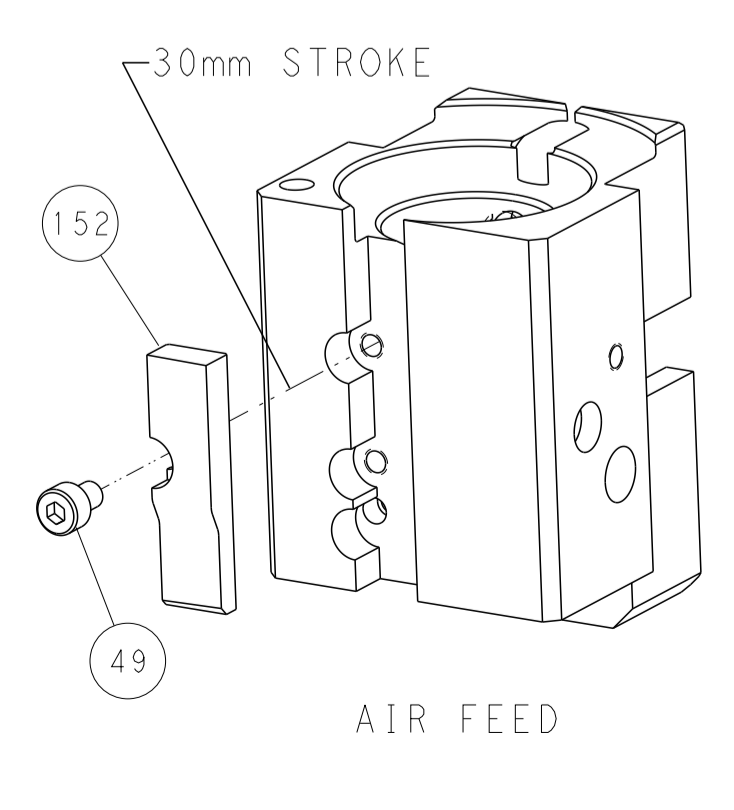
CAM POSITIONS



MECHANICAL POST FEED



MECHANICAL PRE FEED



AIR FEED

PACIFIC VERSION
 Shown on sheets 3 of 4 & 4 of 4
 (Atlantic version shown on sheets 1 of 4 & 2 of 4)

DIMENSIONS:		TOLERANCES UNLESS OTHERWISE SPECIFIED:		DWN H. HUANG 16DEC2013		STE TE Connectivity Harrisburg, PA 17105-3608	
mm	0 PLC	±		CHK L. ZHANG 16DEC2013	NAME	SIZE	CAGE CODE
	1 PLC	±		APVD J. GUO 16DEC2013	PRODUCT SPEC	00779	2150402
	2 PLC	±			APPLICATION SPEC	Customer Accessible Production Drawing	SCALE
	3 PLC	±					1:1
	4 PLC	±					SHEET
	ANGLES	±					4
	FINISH	±					OF
							4
							REV
							A1