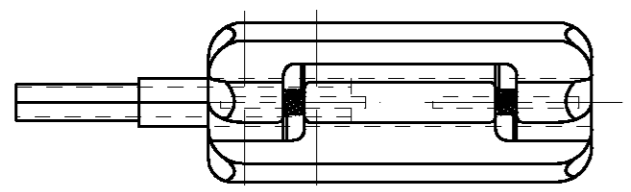


THIS DRAWING IS UNPUBLISHED. RELEASED FOR PUBLICATION .19
 BY AMP INCORPORATED. ALL RIGHTS RESERVED.

LOC	DIST	REVISIONS			
P	LTR	DESCRIPTION	DATE	DWN	APVD
DF	AO	0	PROPOSAL DRAWING	2-01	CT JM

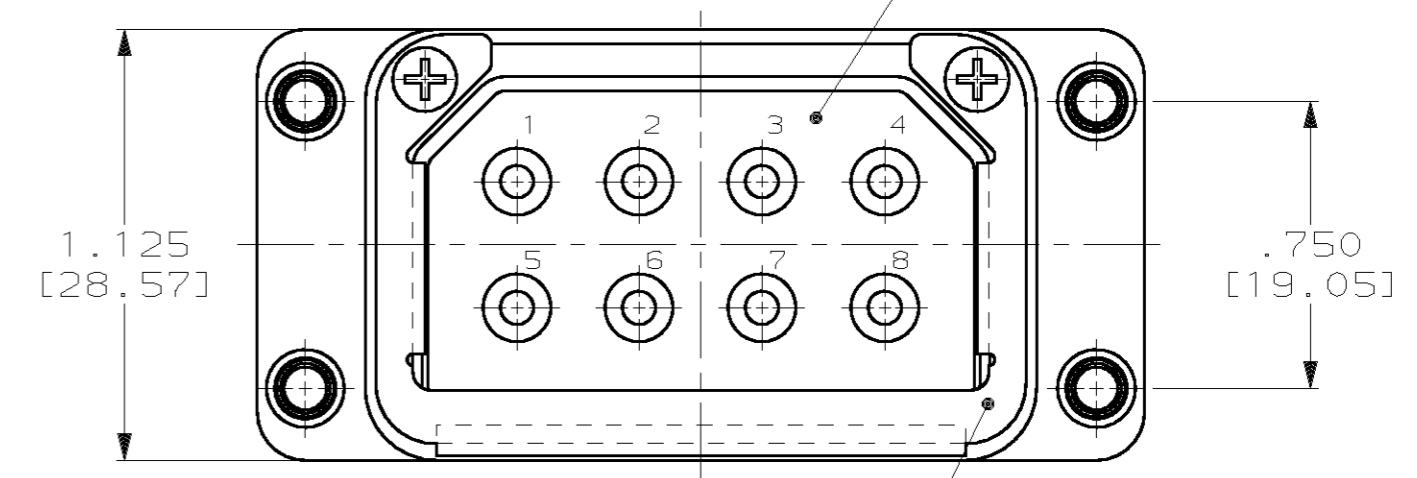
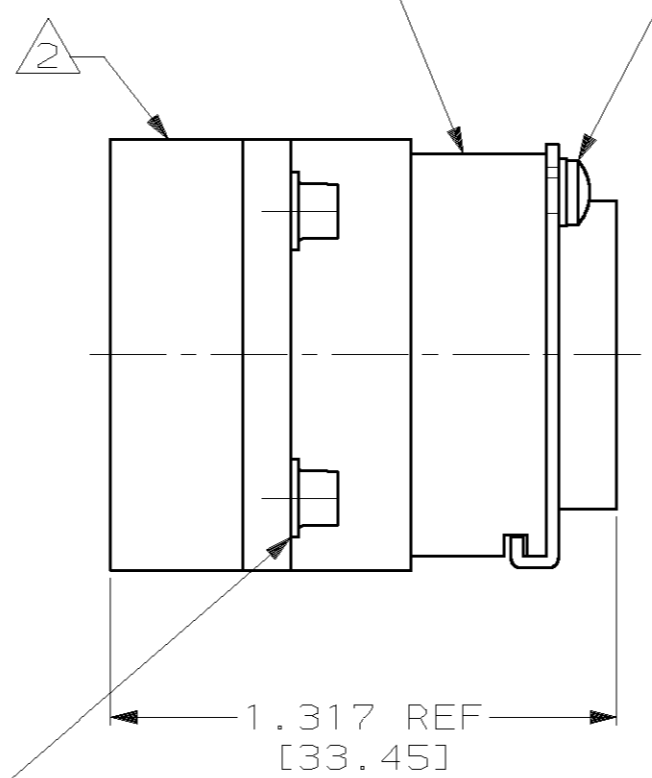
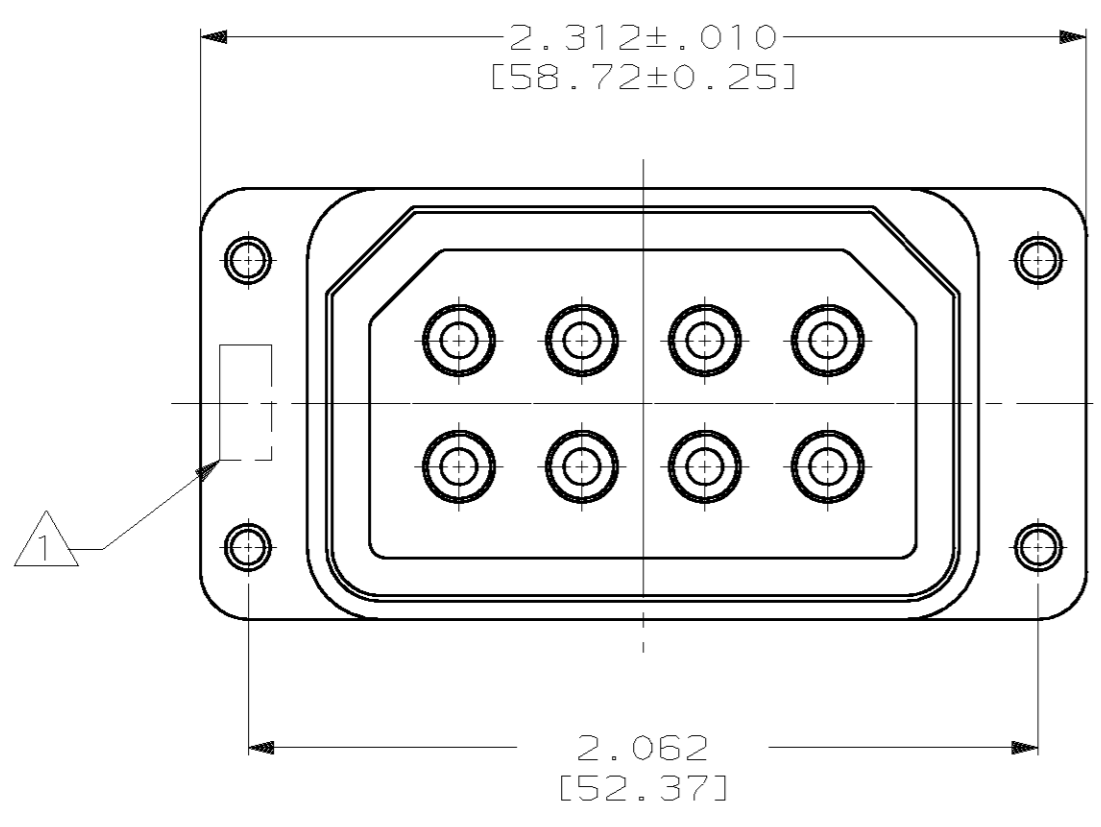


EXTRACTION TOOL
SCALE 1:1

PLUG SHELL
MAT'L: ALUMINUM ALLOY
FINISH: CADMIUM PLATED; YELLOW CHROMATE

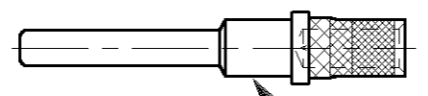
SCREWS & LOCKWASHERS
MAT'L: STAINLESS STEEL
FINISH: PASSIVATED

8 POSN PIN INSERT
MAT'L: EPOXY MLDG. CMPD.



RETENTION PLATE
MAT'L: STAINLESS STEEL
FINISH: PASSIVATED

#4-40 CLINCH NUTS



PIN CONTACT
QTY = 8

- 1 DATE CODE MARKED IN THIS AREA.
- 2 AMP PART NUMBER MARKED ON THIS SURFACE.
- 3 ASSEMBLY INCLUDES 8 #12 PIN CONTACTS, AMP P/N 205763-3.

PRELIMINARY- NOT RELEASED FOR PRODUCTION

1218958-1
PART NO.

THIS DRAWING IS A CONTROLLED DOCUMENT.		DWN C.C. THOMAS 2-13-01	AMP Incorporated Harrisburg, PA 17105-3608	
DIMENSIONS: INCHES (mm)		CHK J. MARKEY 2-13-01	NAME PLUG ASSY, ARINC 404, RMA1R8P-01 (200)	
TOLERANCES UNLESS OTHERWISE SPECIFIED: 0 PLC ±- 1 PLC ±- 2 PLC ±- 3 PLC ±.005 [0.13] 4 PLC ±- ANGLES ±-		APVD J. MARKEY 2-13-01	RESTRICTED TO	
MATERIAL SEE CALLOUTS		FINISH SEE CALLOUTS	WEIGHT -	SCALE 2:1
MATERIAL		FINISH	WEIGHT	SCALE
SEE CALLOUTS		SEE CALLOUTS	WEIGHT	SCALE
CUSTOMER DRAWING		SIZE A2	CAGE CODE 00779	DRAWING NO. C-1218958
		SHEET 1	OF 1	REV 0