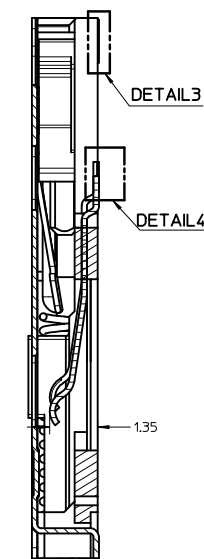
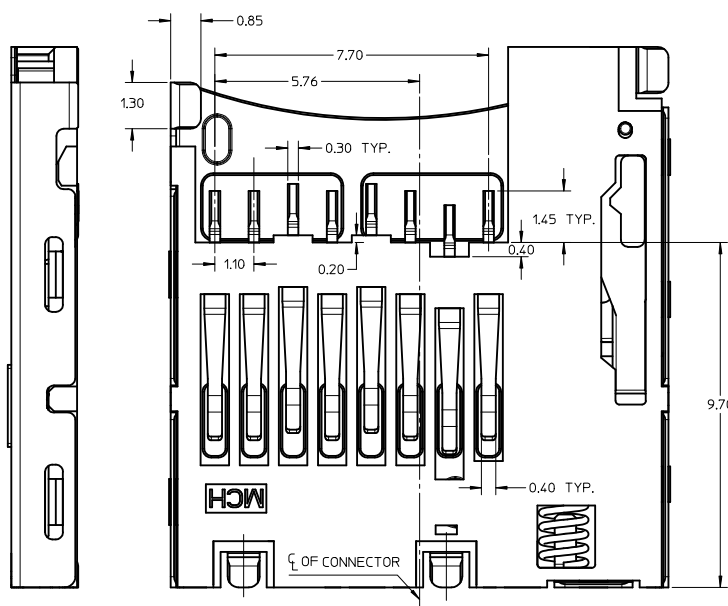
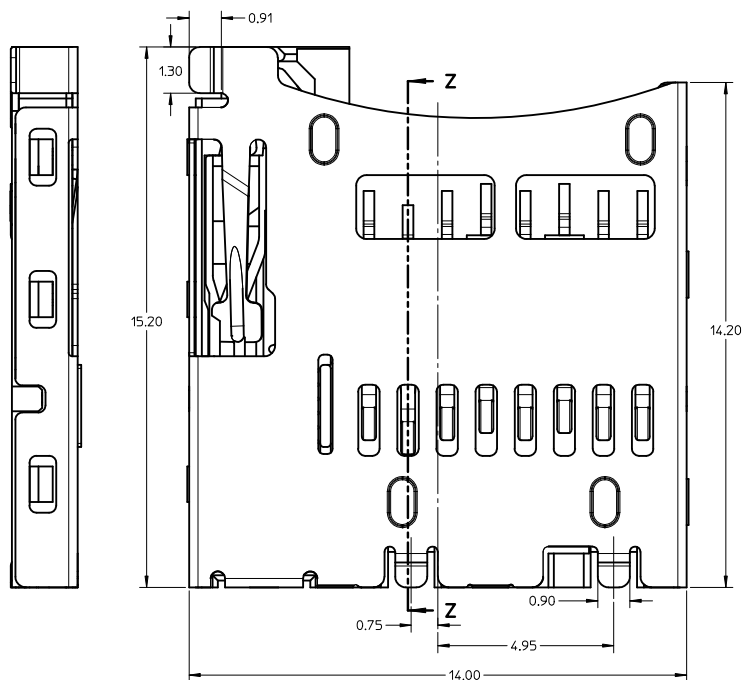
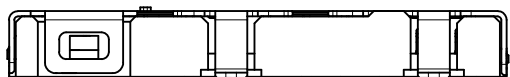


DETAIL 4

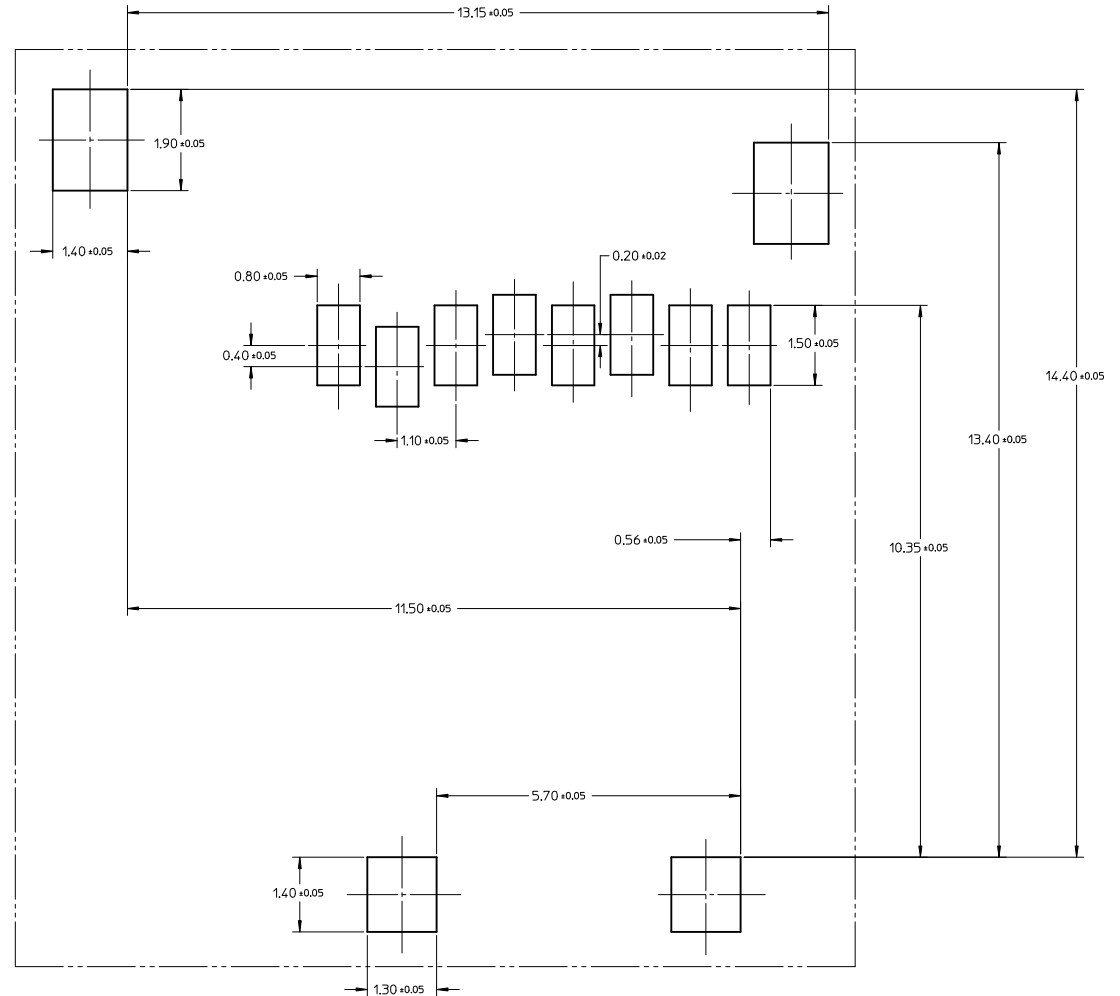
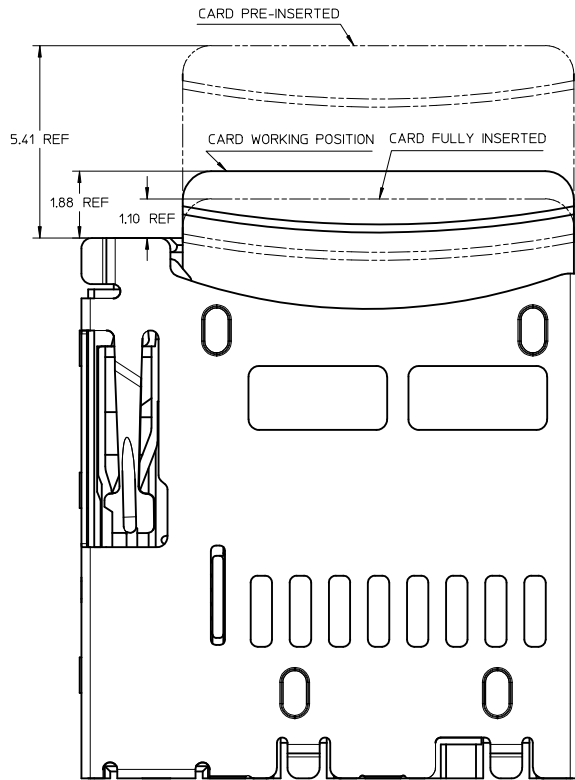
DETAIL 3



SECTION Z-Z



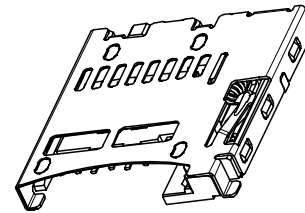
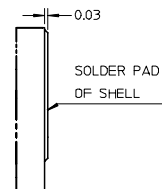
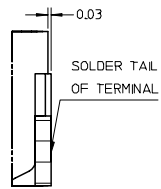
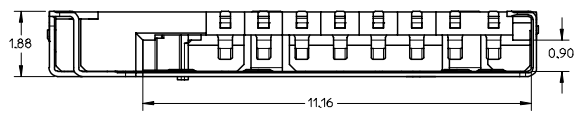
REVISED EC NO: SH2012-0215 DRAWN: GLLI CHKD: APPR: XJSONG	DESCRIPTION 2012/01/05 2012/01/16	QUALITY SYMBOLS		GENERAL TOLERANCES (UNLESS SPECIFIED)		DIMENSION STYLE MM ONLY		SCALE 5:1	DESIGN UNITS METRIC	THIRD ANGLE PROJECTION
		$\nabla=0$	$\nabla=0$	$\nabla=0$	mm	INCH	DRAWN BY GLLI	DATE 2012/01/05	TITLE TFR/MICRO SD CARD READER PUSH PUSH TYPE WITHOUT DETECT PIN	
			4 PLACES \pm ---	\pm ---			CHECKED BY	DATE	MOLEX INCORPORATED	
			3 PLACES \pm ---	\pm ---			APPROVED BY XJSONG	DATE 2012/01/16	DOCUMENT NO. SD-47334-001	
			2 PLACES \pm 0.15	\pm ---			MATERIAL NO. 47334-0001		SHEET NO. 1 OF 2	
			1 PLACE \pm 0.30	\pm ---			THIS DRAWING CONTAINS INFORMATION THAT IS PROPRIETARY TO MOLEX INCORPORATED AND SHOULD NOT BE USED WITHOUT WRITTEN PERMISSION			
			ANGULAR \pm 3°		DRAFT WHERE APPLICABLE MUST REMAIN WITHIN DIMENSIONS					



RECOMMENDED PCB LAYOUT

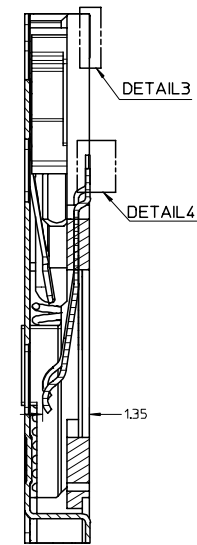
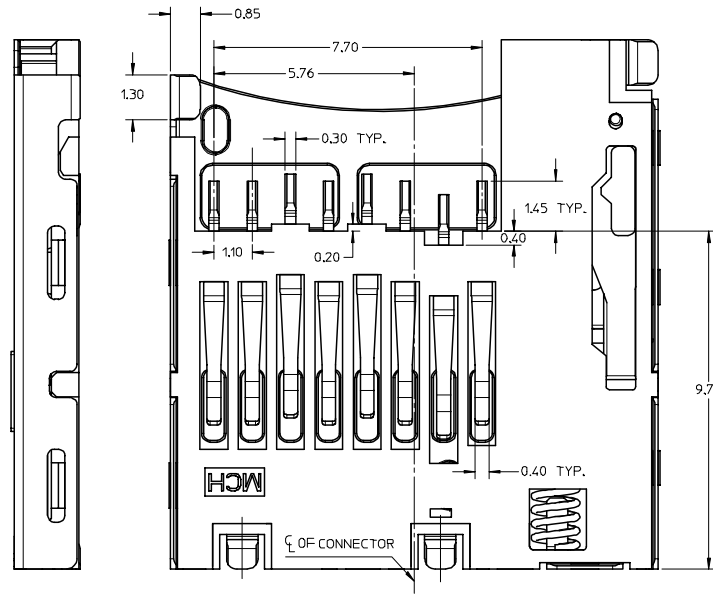
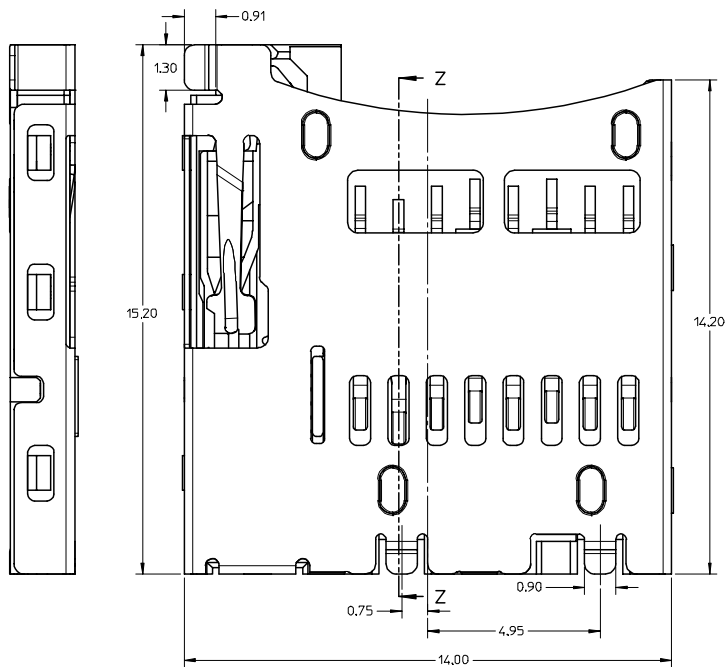
- NOTES:
- 1 MATERIAL:
 - 1-1 TERMINAL, FITTING NAIL : COPPER ALLOY.
 - 1-2 SHELL, CAM PIN, SPRING : STAINLESS STEEL.
 - 1-3 HOUSING : LCP, UL 94-V0, BLACK.
 - 1-4 CAM: NYLON 46.
 - 2 FINISH:
 - 2-1 TERMINAL : NICKEL UNDERPLATED, GOLD PLATING ON CONTACT AREA
TIN PLATING ON SOLDER TAIL
 - 2-2 SHELL : GOLD FLASH OVER NICKEL UNDERPLATED ON SOLDER PAD
 - 3 MECHANICAL SPECIFICATION:
 - REPEATED 5,000 TIMES MATING AND UNMATING CYCLES AND STILL MEET ELECTRICAL CHARACTERISTICS
 - 4 ELECTRICAL SPECIFICATION:
 - 4-1 RATED CURRENT (PER CONTACT) : 0.5AMPS MAX AND TEMPERATURE RISE SHOULD BE 30°C MAX
 - 4-2 INSULATION RESISTANCE(I.R) : 100 MEGOHMS MIN.
 - 4-3 DIELECTRIC WITHSTANDING VOLTAGE : 500 VAC
 - 4-4 CONTACT RESISTANCE: 100 MILLIOHMS MAX

REVISED EC NO: SF2012-0215 DRW:GLL CHKD: APPR:XJSONG 2012/01/05 2012/01/16	DESCRIPTION XJSONG	QUALITY SYMBOLS		GENERAL TOLERANCES (UNLESS SPECIFIED)		DIMENSION STYLE		SCALE	DESIGN UNITS	THIRD ANGLE PROJECTION	
		$\nabla=0$ $\nabla=0$ $\nabla=0$		mm INCH 4 PLACES ± --- ± --- 3 PLACES ± --- ± --- 2 PLACES ± 0.15 ± --- 1 PLACE ± 0.30 ± --- ANGULAR ± 3°		MM ONLY DRAWN BY DATE GLLI 2012/01/05 CHECKED BY DATE		10:1	METRIC		
		DRAFT WHERE APPLICABLE MUST REMAIN WITHIN DIMENSIONS		APPROVED BY DATE XJSONG 2012/01/16 MATERIAL NO.		TITLE TFR/MICRO SD CARD READER PUSH PUSH TYPE WITHOUT DETECT PIN MOLEX INCORPORATED		MOLEX		DOCUMENT NO. SD-47334-001	SHEET NO. 2 OF 2
		SIZE A2		47334-0001		THIS DRAWING CONTAINS INFORMATION THAT IS PROPRIETARY TO MOLEX INCORPORATED AND SHOULD NOT BE USED WITHOUT WRITTEN PERMISSION					

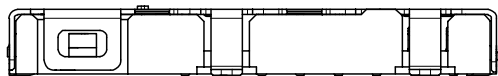


DETAIL 4

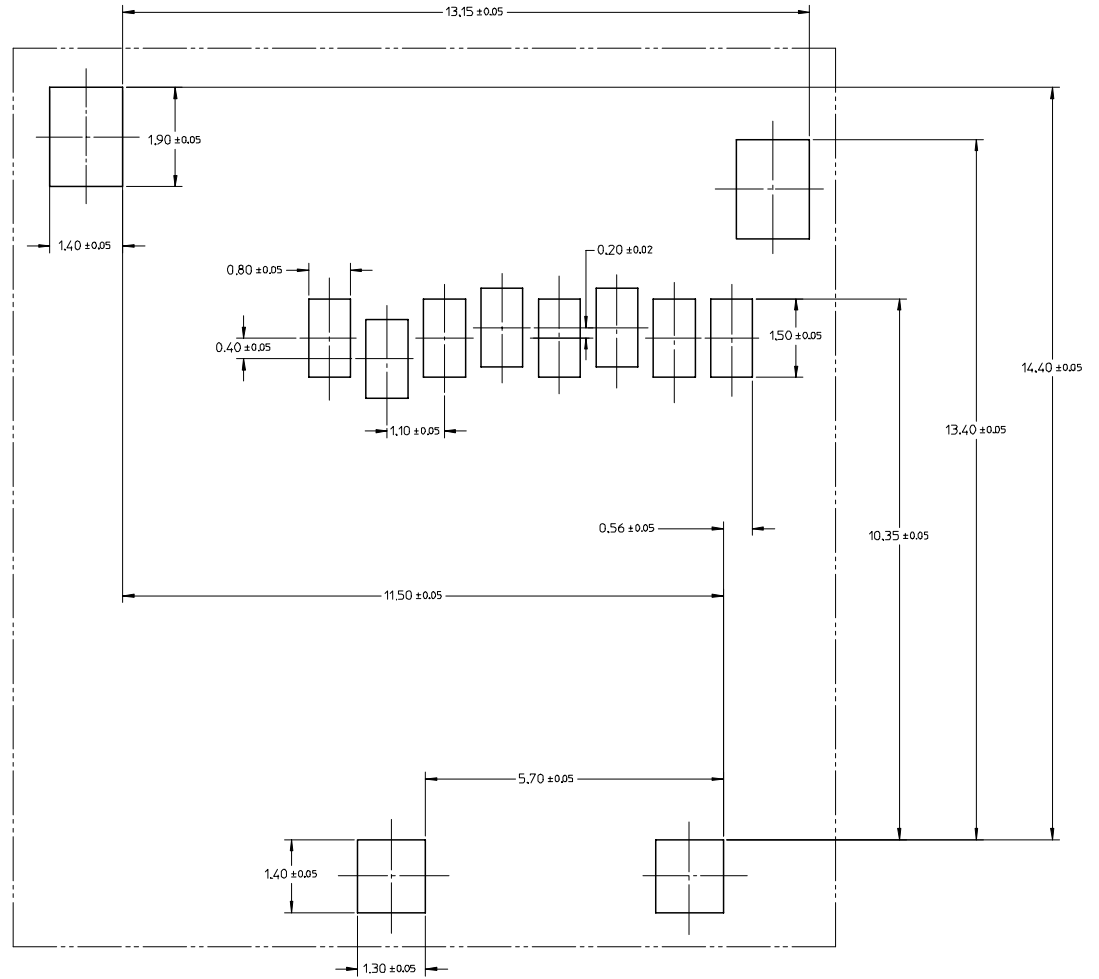
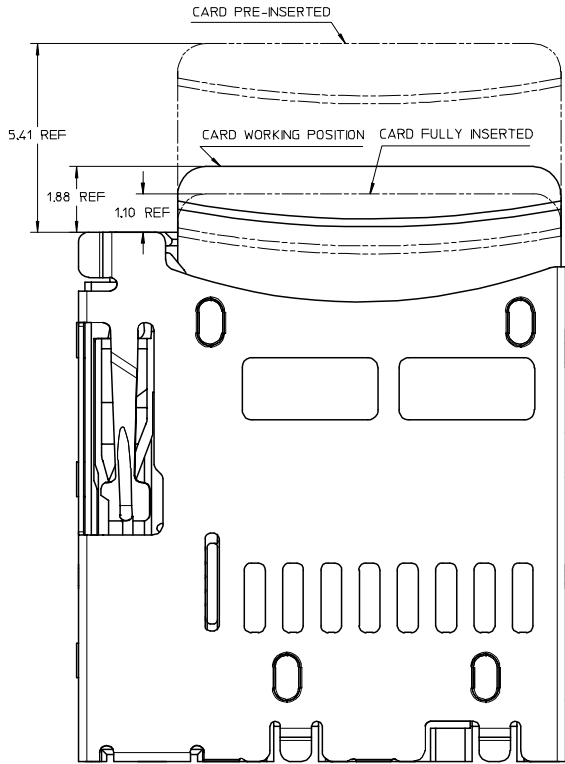
DETAIL 3



SECTION Z-Z



REVISED EEC NO.: SH2007-0499 2007/02/12 DRAWN: ZHOU CHKD: XU XIANG APPR: JINCHEN 2007/03/16	DESCRIPTION TFR&MICRO SD CARD READER PUSH PUSH TYPE WITHOUT DETECT SWITCH	QUALITY SYMBOLS ▽=0 ▽=0		GENERAL TOLERANCES (UNLESS SPECIFIED) mm INCH		DIMENSION STYLE MM ONLY		SCALE 5:1	DESIGN UNITS METRIC	THIRD ANGLE PROJECTION		
		4 PLACES ± --- ± ---	3 PLACES ± --- ± ---	2 PLACES ± 0.15 ± ---	1 PLACE ± --- ± ---	ANGULAR ± 1/2°	DRAWN BY XIXU	DATE 2006/03/25	CHECKED BY XIXU	DATE 2006/03/28	APPROVED BY JNCHEN	DATE 2006/03/29
		DRAFT WHERE APPLICABLE MUST REMAIN WITHIN DIMENSIONS		MATERIAL NO. 473340001		DOCUMENT NO. SD-47334-001		MOLEX INCORPORATED		SHEET NO. 1 OF 2		
		THIS DRAWING CONTAINS INFORMATION THAT IS PROPRIETARY TO MOLEX INCORPORATED AND SHOULD NOT BE USED WITHOUT WRITTEN PERMISSION										



RECOMMENDED PCB LAYOUT

NOTES:

1 MATERIAL:

- 1-1 TERMINAL, FITTING NAIL : COPPER ALLOY
- 1-2 SHELL, CAM PIN, SPRING : STAINLESS STEEL
- 1-3 HOUSING, CAM : LCP, UL 94-V0, BLACK

2 FINISH:

- 2-1 TERMINAL : NICKEL UNDERPLATED, GOLD PLATING ON CONTACT AREA
TIN PLATING ON SOLDER TAIL
- 2-2 SHELL : GOLD FLASH OVER NICKEL UNDERPLATED ON SOLDER PAD

3 MECHANICAL SPECIFICATION:

REPEATED 5,000 TIMES MATING AND UNMATING CYCLES AND STILL MEET ELECTRICAL CHARACTERISTICS

4 ELECTRICAL SPECIFICATION:

- 4-1 RATED CURRENT (PER CONTACT) : 0.5AMPS MAX AND TEMPERATURE RISE SHOULD BE 30°C MAX
- 4-2 INSULATION RESISTANCE(IR) : 100 MEGOHMS MIN.
- 4-3 DIELECTRIC WITHSTANDING VOLTAGE : 500 VAC
- 4-4 CONTACT RESISTANCE: 100 MILLIOHMS MAX

REVISED EIC NO.: SH2007-0499 DRWN: ZHOU CHKD: XU XIANG APPR: JINCHEN 2007/02/12 2007/03/16	DESCRIPTION 2007/03/16	QUALITY SYMBOLS	GENERAL TOLERANCES (UNLESS SPECIFIED)	DIMENSION STYLE	SCALE	DESIGN UNITS	THIRD ANGLE PROJECTION	
		$\nabla=0$ $\nabla=0$	mm INCH 4 PLACES ± --- ± --- 3 PLACES ± --- ± --- 2 PLACES ± 0.15 ± --- 1 PLACE ± --- ± --- ANGULAR ± 1/2°	MM ONLY	10:1	METRIC	DRAWN BY: XIXU CHECKED BY: XIXU APPROVED BY: JNCHEN DATE: 2006/03/25 DATE: 2006/03/28 DATE: 2006/03/29	TITLE: TFR&MICRO SD CARD READER PUSH PUSH TYPE WITHOUT DETECT SWITCH MOLEX INCORPORATED
		DRAFT WHERE APPLICABLE MUST REMAIN WITHIN DIMENSIONS	MATERIAL NO.: 473340001	DOCUMENT NO.: SD-47334-001	SHEET NO.: 2 OF 2			
		SIZE: A2	THIS DRAWING CONTAINS INFORMATION THAT IS PROPRIETARY TO MOLEX INCORPORATED AND SHOULD NOT BE USED WITHOUT WRITTEN PERMISSION					